

Read

H

D

E

GND

GND

GND

V+

V+

GND

GND

V+

V+

GND

GND

V+

V+

GND

GND

V+

V+

GND

GND

V+

V+

GND

GND

V+

V+

GND

GND

V+

V+

GND

GND

V+

V+

GND

GND

V+

V+

GND

GND

V+

V+

GND

GND

V+

V+

GND

GND

V+

V+

GND

GND

V+

V+

GND

GND

V+

V+

GND

GND

V+

V+

GND

GND

V+

V+

GND

GND

V+

V+

GND

GND

V+

V+

GND

GND

V+

V+

GND

GND

V+

V+

GND

GND

V+

V+

GND

GND

V+

V+

GND

GND

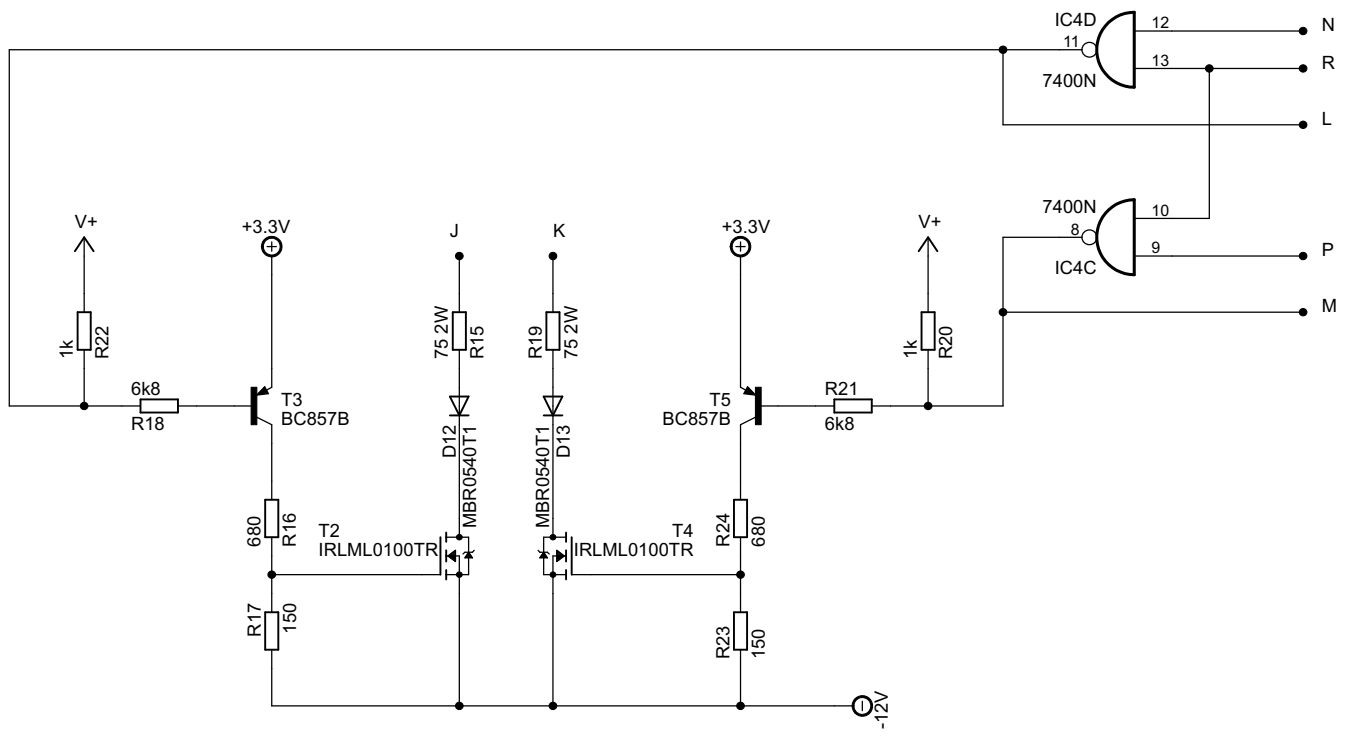
V+

V+

GND

GND

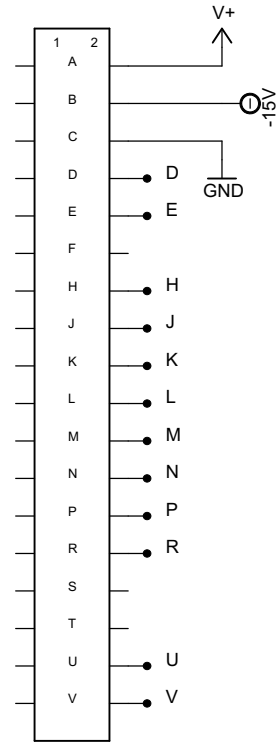
Write



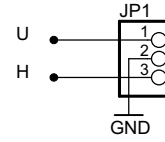
1 2 3 4 5 6 7 8 9 10 11 12 13 14 15 16 17 18 19

A  
B  
C  
D  
E  
F  
G  
H

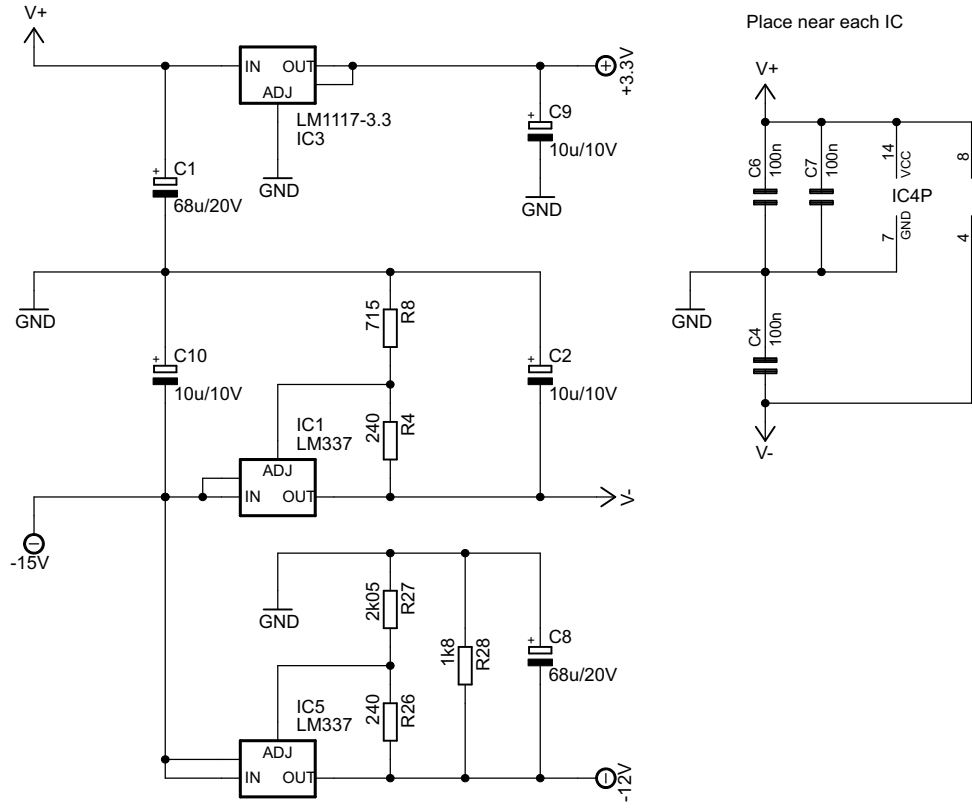
Connector



Test connector

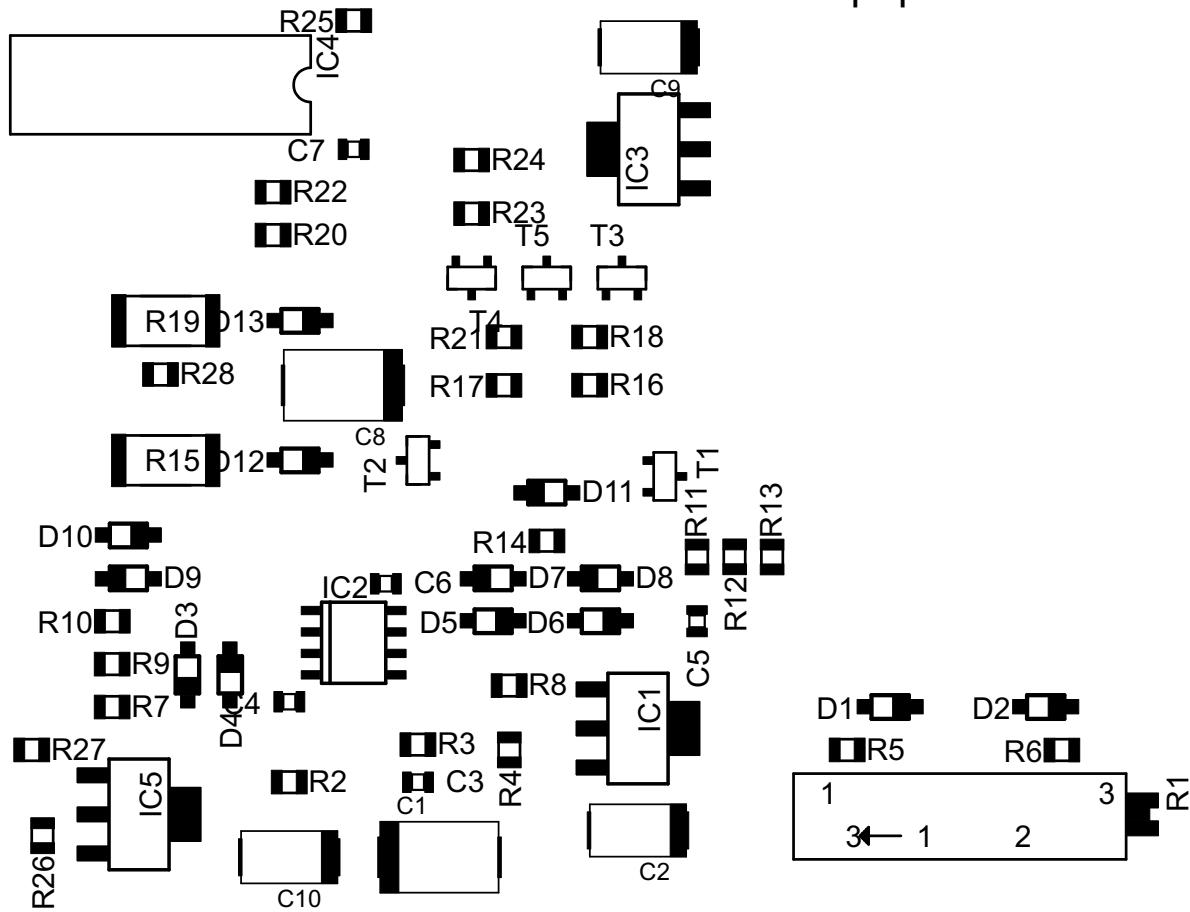


Power



G888-mk2

Anders Sandahl / [www.pdp-9.net](http://www.pdp-9.net)



D  
GND  
A

