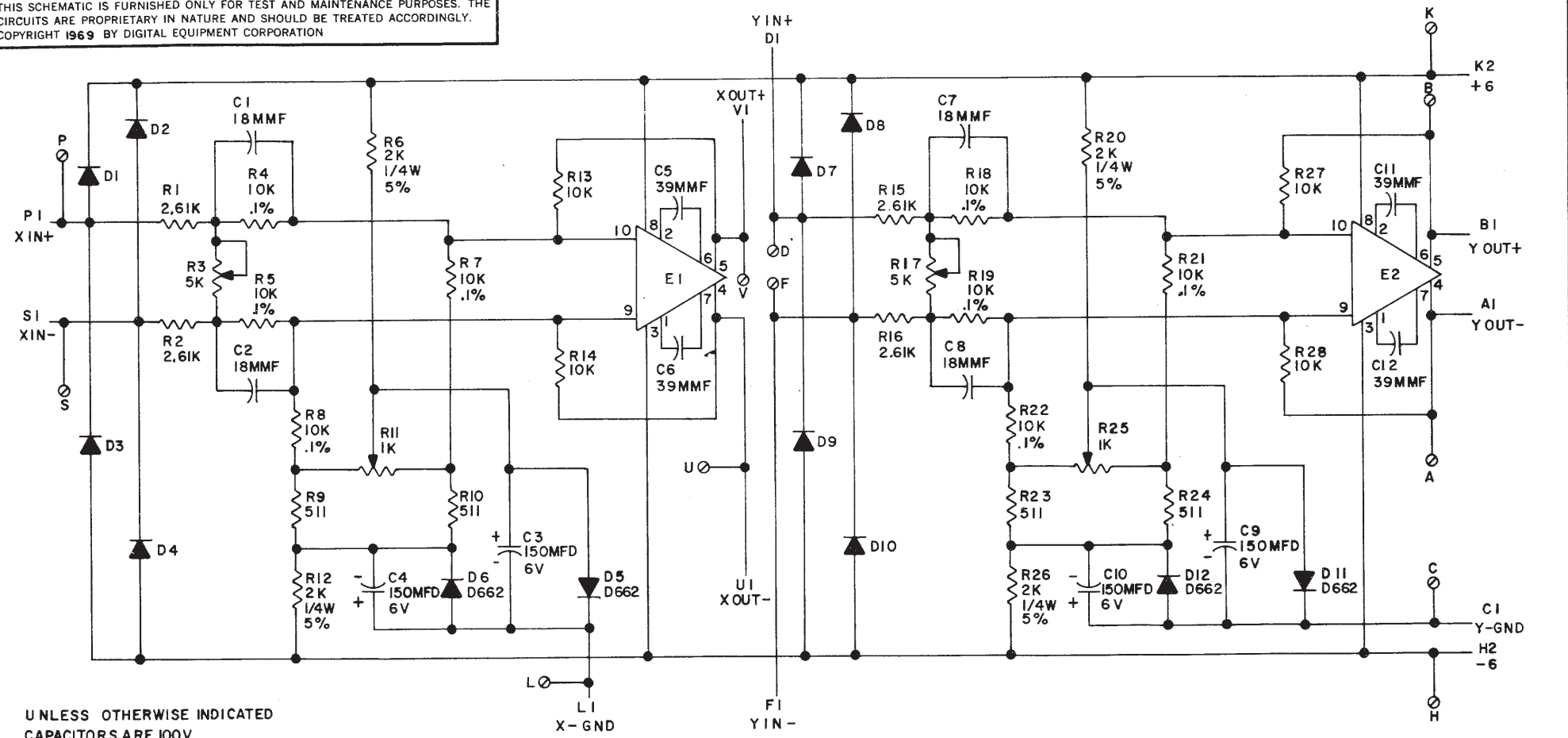


THIS SCHEMATIC IS FURNISHED ONLY FOR TEST AND MAINTENANCE PURPOSES. THE CIRCUITS ARE PROPRIETARY IN NATURE AND SHOULD BE TREATED ACCORDINGLY. COPYRIGHT 1969 BY DIGITAL EQUIPMENT CORPORATION



UNLESS OTHERWISE INDICATED
 CAPACITORS ARE 100V
 DIODES ARE D 664
 E1, E2 ARE MC1520G OP-AMP
 R3, R17 ARE ASM 6666
 R11, R25 ARE ASM 6664
 RESISTORS ARE 1/8W, 1%

REVISIONS CHK CHG NO. REV		DRN. <i>[Signature]</i> DATE 6-6-69	TRANSISTOR & DIODE CONVERSION CHART				 EQUIPMENT CORPORATION MAYNARD, MASSACHUSETTS	TITLE XY-CONTROL G917			
		CHK'D <i>[Signature]</i> DATE 6-12-69	DEC	EIA	DEC	EIA		SIZE B	CODE CS	NUMBER G917-0-1	REV.
		ENG. DATE	D662	IN645	D664	IN3606		PRINTED CIRCUIT REV. A			
		PROD. <i>[Signature]</i> DATE 8-7-69									