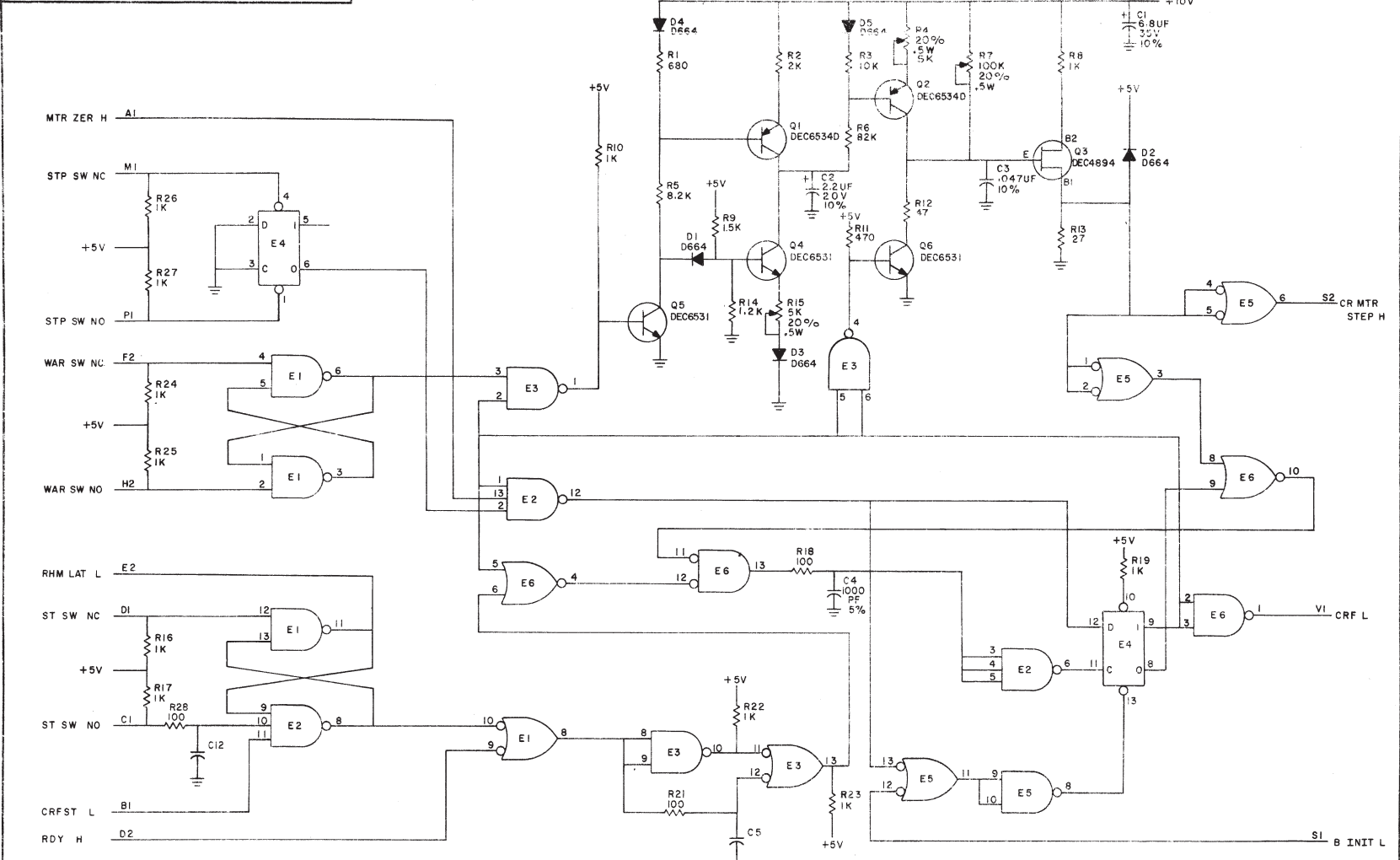
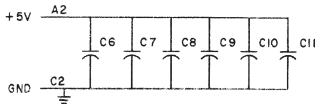


THIS SCHEMATIC IS FURNISHED ONLY FOR TEST AND MAINTENANCE PURPOSES. THE CIRCUITS ARE PROPRIETARY IN NATURE AND SHOULD BE TREATED ACCORDINGLY. COPYRIGHT 1971 BY DIGITAL EQUIPMENT CORPORATION.



UNLESS OTHERWISE INDICATED:
 RESISTORS ARE 1/4W, 5%
 CAPACITORS ARE .01UF, 100V, 20%
 E1 BE5 = DEC7400
 E2 = DEC7410
 E3 = DEC7401
 E4 = DEC7474
 E6 = DEC7402
 PIN 7 = GND
 PIN 14 = +5V ON EACH IC



REV	DATE	BY	CHK'D
1	10/03/71	J. J. ...	
2	10/03/71	J. J. ...	
3	10/03/71	J. J. ...	

DRN: S. COOPER DATE: 2/18/71
 CHK'D: W. L. ... DATE: 2/11/71
 ENGR: G. ... DATE: 2/11/71
 PROC: ...

TRANSISTOR & DIODE CONVERSION CHART			
DEC	EIA	DEC	EIA
D664	1N3606	DEC6531	MP56531
		DEC4894	MU4894
		DEC6534D	MP56534D

digital CLOCK ACCELERATOR

EQUIPMENT CORPORATION

SIZE CODE NUMBER
 C CS | G936-0-1

PRINTED CIRCUIT REV E

REV. E
 NUMBER
 CS | G936-0-1