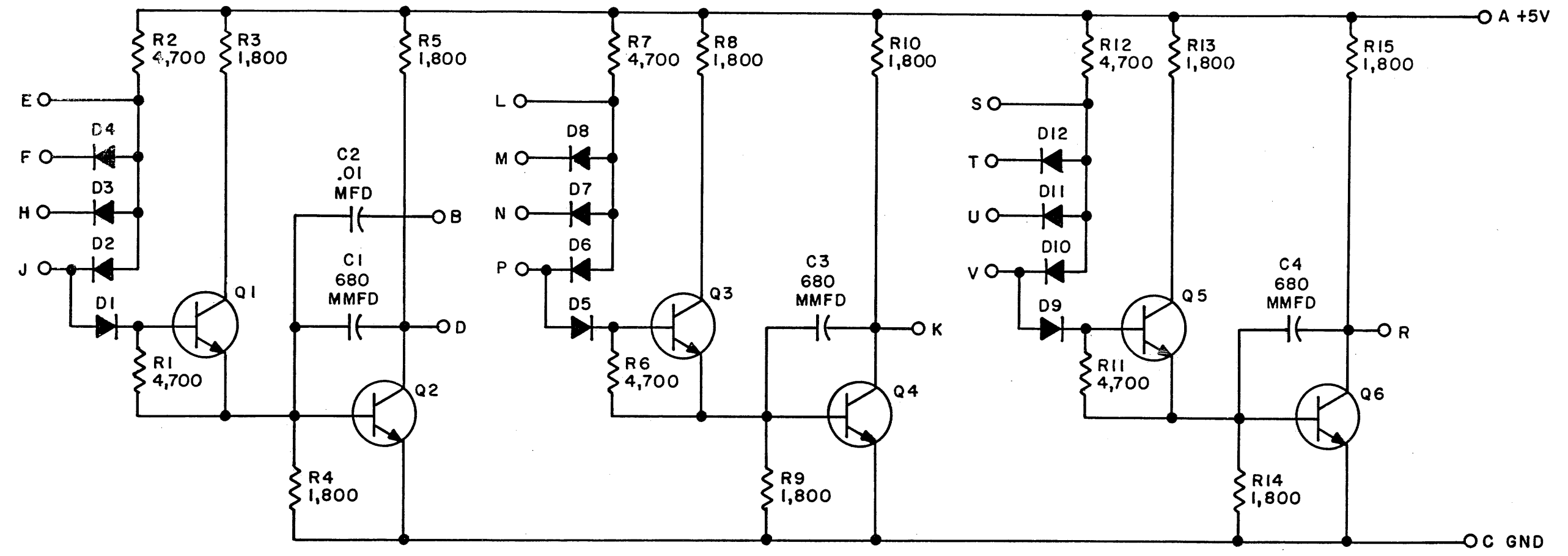


THIS SCHEMATIC IS FURNISHED ONLY FOR TEST AND MAINTENANCE PURPOSES. THE CIRCUITS ARE PROPRIETARY IN NATURE AND SHOULD BE TREATED ACCORDINGLY. COPYRIGHT 1967 BY DIGITAL EQUIPMENT CORPORATION



UNLESS OTHERWISE INDICATED:
 DIODES ARE D600
 RESISTORS ARE 1/4W, 10%
 TRANSISTORS ARE DEC1
 MMFD CAPACITORS ARE ERIE 309, 10% OR EQUIV.



REVISIONS CHK CHG NO. REV.	DRN. <i>M. Keller</i>	DATE 3-27-67	TRANSISTOR & DIODE CONVERSION CHART				 EQUIPMENT CORPORATION MAYNARD, MASSACHUSETTS	TITLE INVERTING GATE K113			
	CHK'D	DATE	DEC	EIA	DEC	EIA		SIZE B	CODE CS	NUMBER K113-0-1	REV.
	ENG.	DATE	D600	IN4009							
	PROD.	DATE	DEC1	2N3721							
PRINTED CIRCUIT REV.							A				