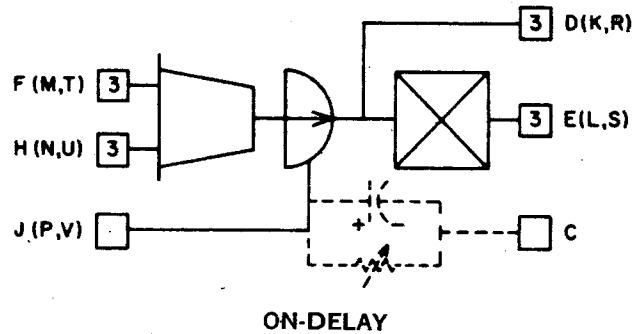
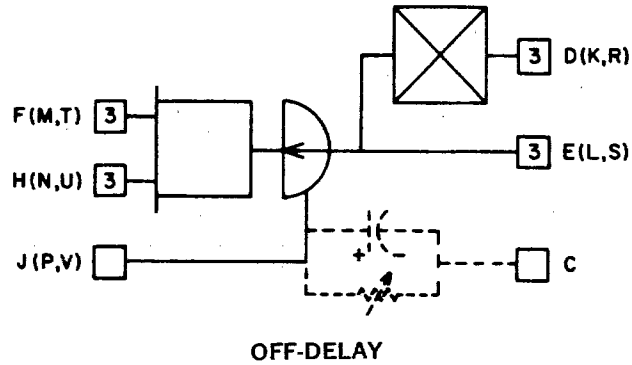


DELAY TIMER
TYPE K303

K
SERIES



K303 DELAY TIMER

Module Type	K303	K374	K376	K378
Function	Timer	Control	Control	Control
Per Module	Three	One	One	One
Fanout	15			
Slow Connection	B → D			
Slowed Points	D			
Range	from 30 μsec	0.3 sec	3 sec	30 sec

K303 timers can be used with fixed delay elements or rheostat control. When used in the end sockets, exposed to view, up to three K374 and similar controls can be mounted on each. Remote control is also practical, without loss of noise rejection. Recovery time less than 0.1 percent of maximum delay.

K303 — \$27.00

Control modules K374, K376, and K378 bolt on to the K303 at two points, making both mechanical and electrical connections. Each is calibrated for quick setting. By this means up to six calibrated timers can be built into a single K941 mounting bar.

For delays longer than 30 seconds, two sections of a K303 module can be connected as an oscillator to drive a K210 counter. By this means, delays up to 16 minutes are easily obtained. If visual indication is desired, four resistors in the ratio 1-2-4-8 may be connected from K210 outputs to the supply voltage through a suitable milliammeter. Still longer delays may be obtained, of course, with two or more counters.