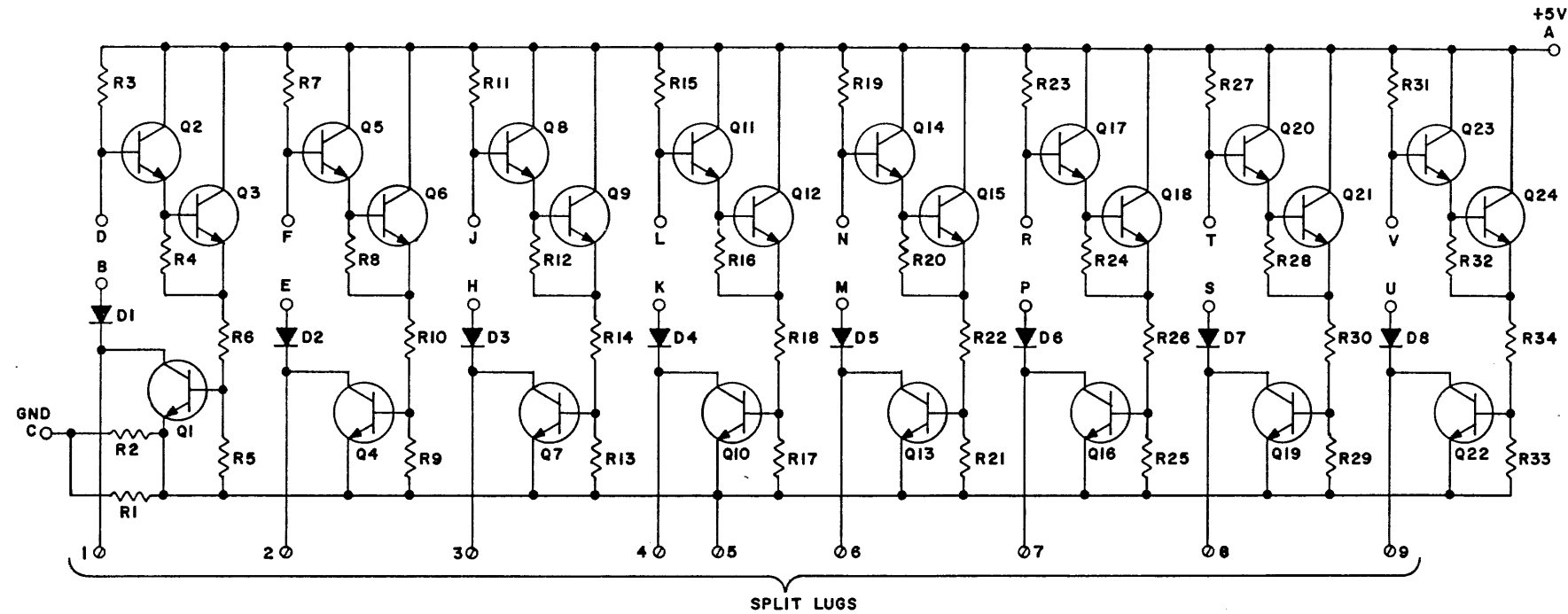


THIS SCHEMATIC IS FURNISHED ONLY FOR TEST AND MAINTENANCE PURPOSES. THE CIRCUITS ARE PROPRIETARY IN NATURE AND SHOULD BE TREATED ACCORDINGLY. COPYRIGHT 1967 BY DIGITAL EQUIPMENT CORPORATION



SPLIT LUGS

Q17, Q18, Q20, Q21, Q23, Q24	TRANSISTOR DECO001	1505369
Q2, Q3, Q5, Q6, Q8, Q9, Q11, Q12, Q14, Q15, Q1, Q4, Q7, Q10, Q13, Q16, Q19, Q22	TRANSISTOR DEC3568	1502937
R1, R2	RES. 0.47 2W 5% WW	1305258
R6, R10, R14, R18, R22, R26, R30, R34	RES. 150 1/4W 10% CC	1300252
R19-R21, R23-R25, R27-R29, R31-R33, R3-R5, R7-R9, R11-R13, R15-R17,	RES. 4.7K 1/4W 10% CC	1300448
D1 - D8	D672	1105275
	PARTS LIST	A-PL-K683-O-O
REFERENCE DESIGNATION	DESCRIPTION	PART NO.

PARTS LIST		TITLE	
Q17, Q18, Q20, Q21, Q23, Q24	TRANSISTOR DECO001	1505369	
Q2, Q3, Q5, Q6, Q8, Q9, Q11, Q12, Q14, Q15, Q1, Q4, Q7, Q10, Q13, Q16, Q19, Q22	TRANSISTOR DEC3568	1502937	
R1, R2	RES. 0.47 2W 5% WW	1305258	
R6, R10, R14, R18, R22, R26, R30, R34	RES. 150 1/4W 10% CC	1300252	
R19-R21, R23-R25, R27-R29, R31-R33, R3-R5, R7-R9, R11-R13, R15-R17,	RES. 4.7K 1/4W 10% CC	1300448	
D1 - D8	D672	1105275	
	PARTS LIST	A-PL-K683-O-O	
REFERENCE DESIGNATION	DESCRIPTION	PART NO.	

REVISIONS	CHK	CHG NO.	REV.
		7038	A

DRN.	DATE
M. Haller	10-27-67
CHK'D	DATE
	11/2/67
ENG.	DATE
R. P. ...	11/2/67
PROD.	DATE

TRANSISTOR & DIODE CONVERSION CHART			
	DEC	EIA	
DEC1		2N3721	
DEC3568		2N3568	
D672		IN3653	

digital	TITLE		
EQUIPMENT CORPORATION	DRIVER K683		
MAYNARD, MASSACHUSETTS	SIZE	CODE	NUMBER
	C	CS	K683-0-1
			REV. A
	PRINTED CIRCUIT REV. B		

DEC FORM NO. DRC 102

PINK

DIST 324 434 425

SIZE CODE C CS NUMBER K683-0-1 REV. A