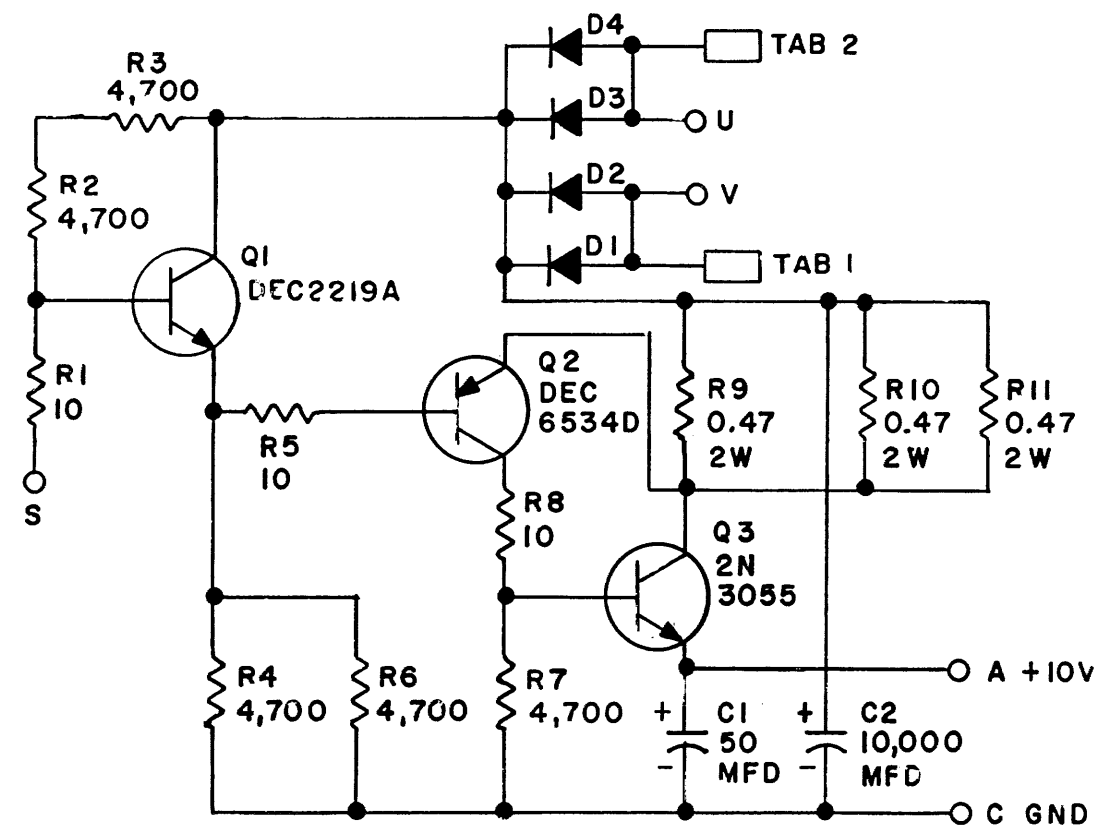
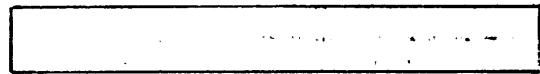


THIS SCHEMATIC IS FURNISHED ONLY FOR TEST AND MAINTENANCE PURPOSES. THE CIRCUITS ARE PROPRIETARY IN NATURE AND SHOULD BE TREATED ACCORDINGLY. COPYRIGHT 1967 BY DIGITAL EQUIPMENT CORPORATION



UNLESS OTHERWISE INDICATED:  
 RESISTORS ARE 1/4W, 10%  
 RECTIFIERS ARE IN4001  
 C1 IS A SPRAGUE 30D506G006CBO OR EQUIV.  
 C2 IS A SPRAGUE 39D1096010JTO OR EQUIV.  
 TABS ARE AMP FASTON SERIES 250



REVISIONS CHK CHG NO. REV.	DRN. <i>M. Walker</i>	DATE <i>8-2-67</i>	TRANSISTOR & DIODE CONVERSION CHART				 <b>digital</b> EQUIPMENT CORPORATION MAYNARD, MASSACHUSETTS	TITLE SLAVE REGULATOR K732			
	CHK'D	DATE	DEC	EIA	DEC	EIA		SIZE B	CODE CS	NUMBER K732-0-1	REV. A
	ENG. <i>n.</i>	DATE	2N3055	SAME							
	PROD. <i>i</i>	DATE	DEC6534D	MPS6534							
			DEC2219A	2N2219							
PRINTED CIRCUIT REV.							A	B			