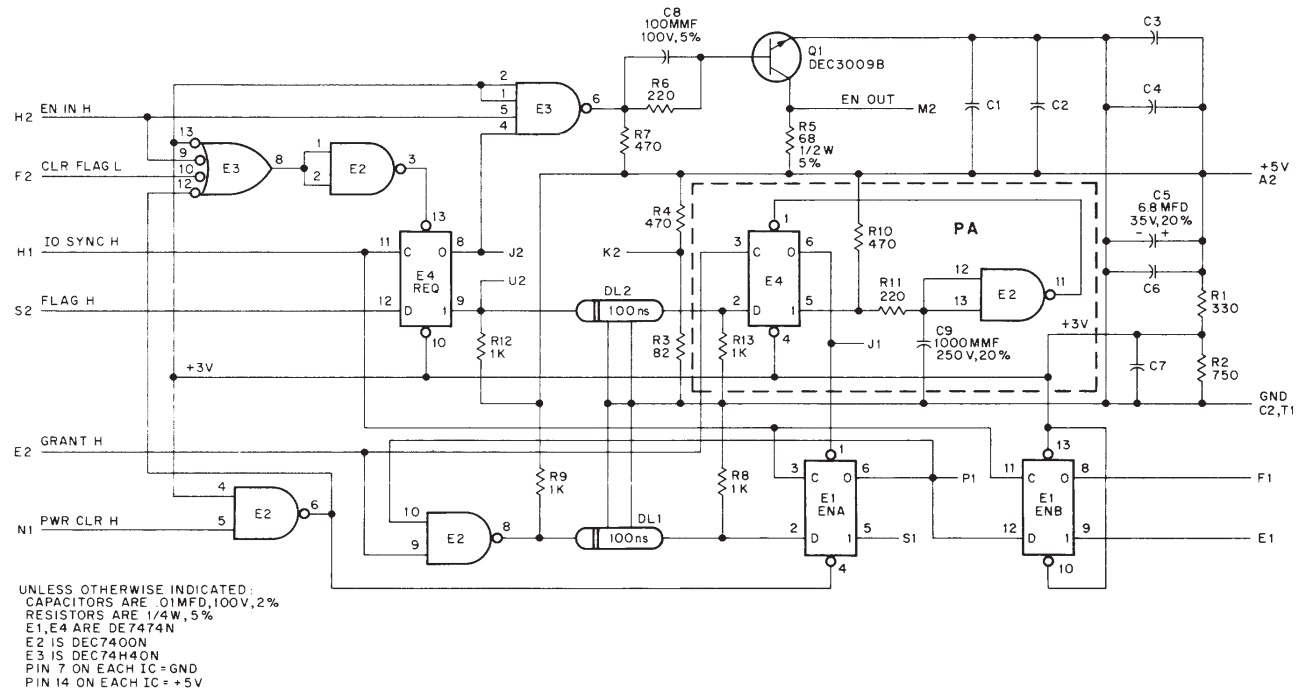
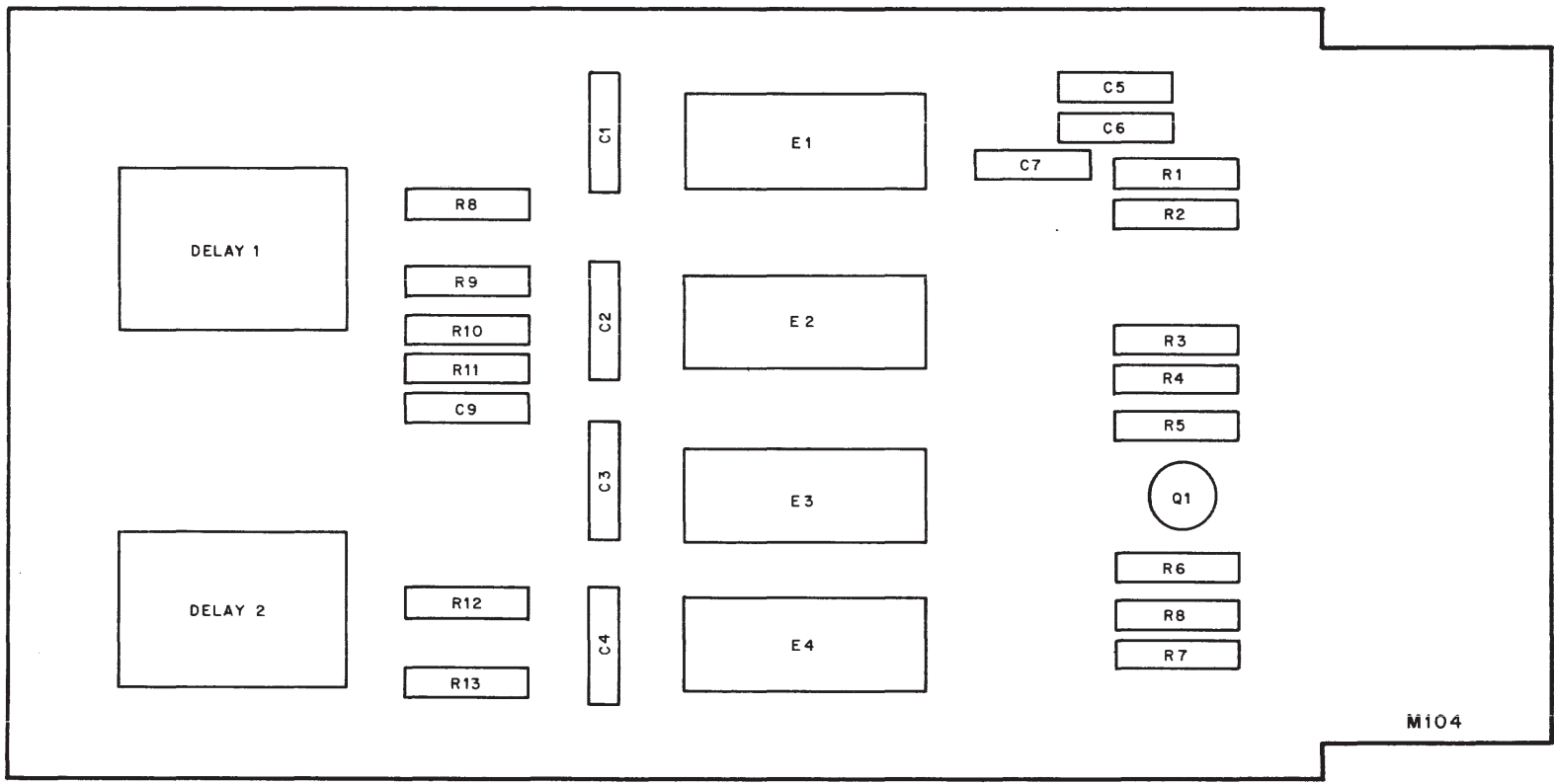


2-27



15-0105

Figure 2-23 M104 Multiplexer, Circuit Schematic



M104

Figure 2-24 M104 Multiplexer, Parts Location Diagram