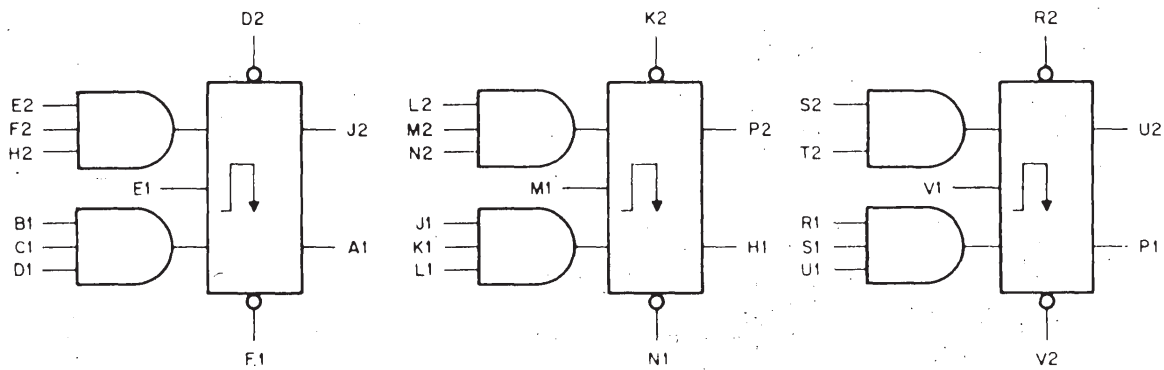


TRIPLE J-K FLIP-FLOP M202

M SERIES



A2, +5V
C2, T1, GROUND
B2, NOT USED

The M202 contains three J-K flip-flops augmented by multiple-input and gates. For general use as gated control flip flops or buffers.

Logical operation of the J-K flip flops used in this module is identical to those flip-flops used in the M207 (described in detail) except clock, J-K inputs, inputs, direct clear, direct set and both output lines for each flip-flop are independent.

Inputs: All gate inputs represent 1 unit load. The dc set and clear input each represent two unit loads. Clock inputs represent two unit loads.

Outputs: Each output will drive 10 unit loads.

Power: +5 v at 57 ma. (max.)

M202 — \$30