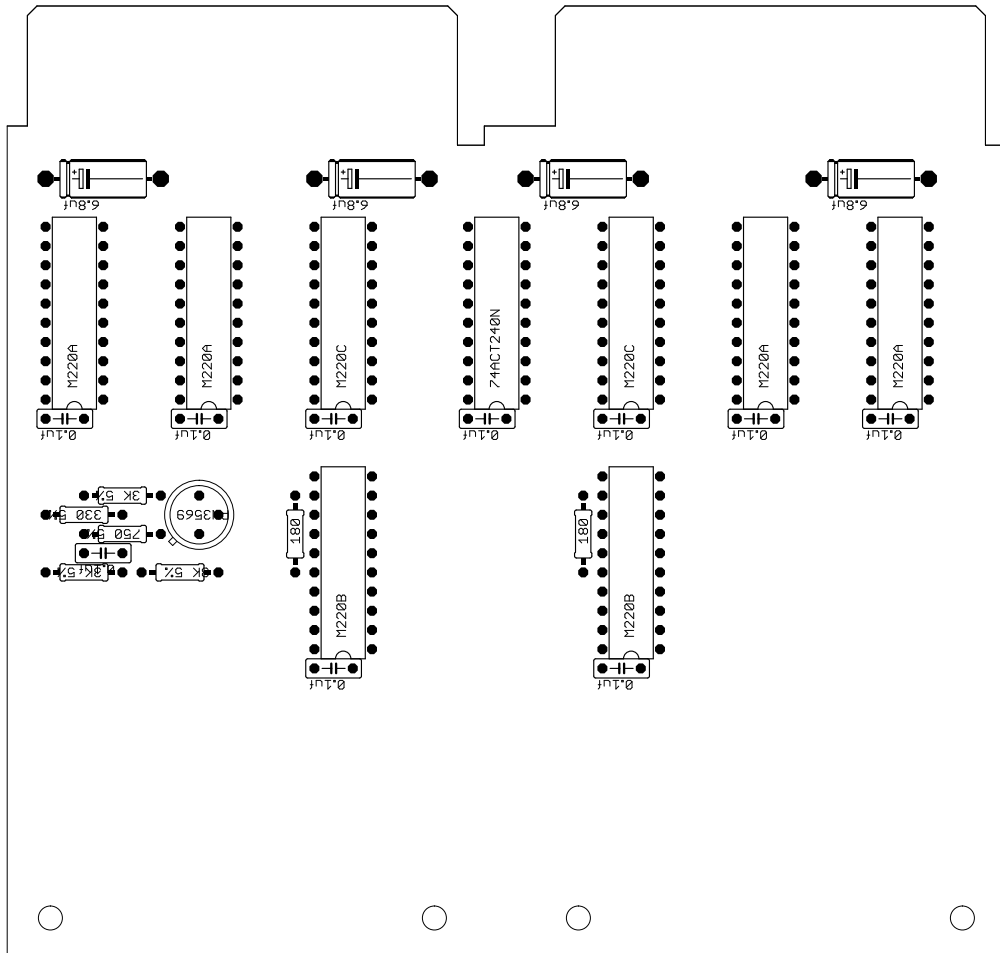
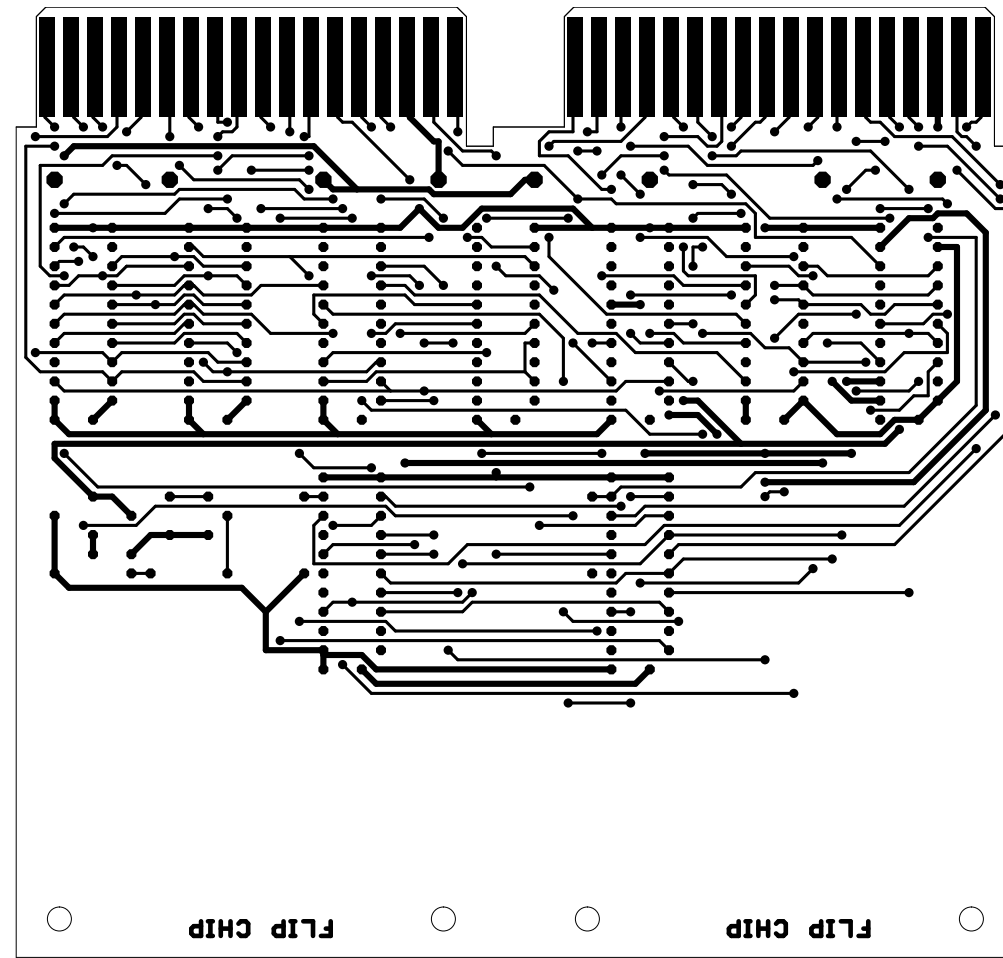


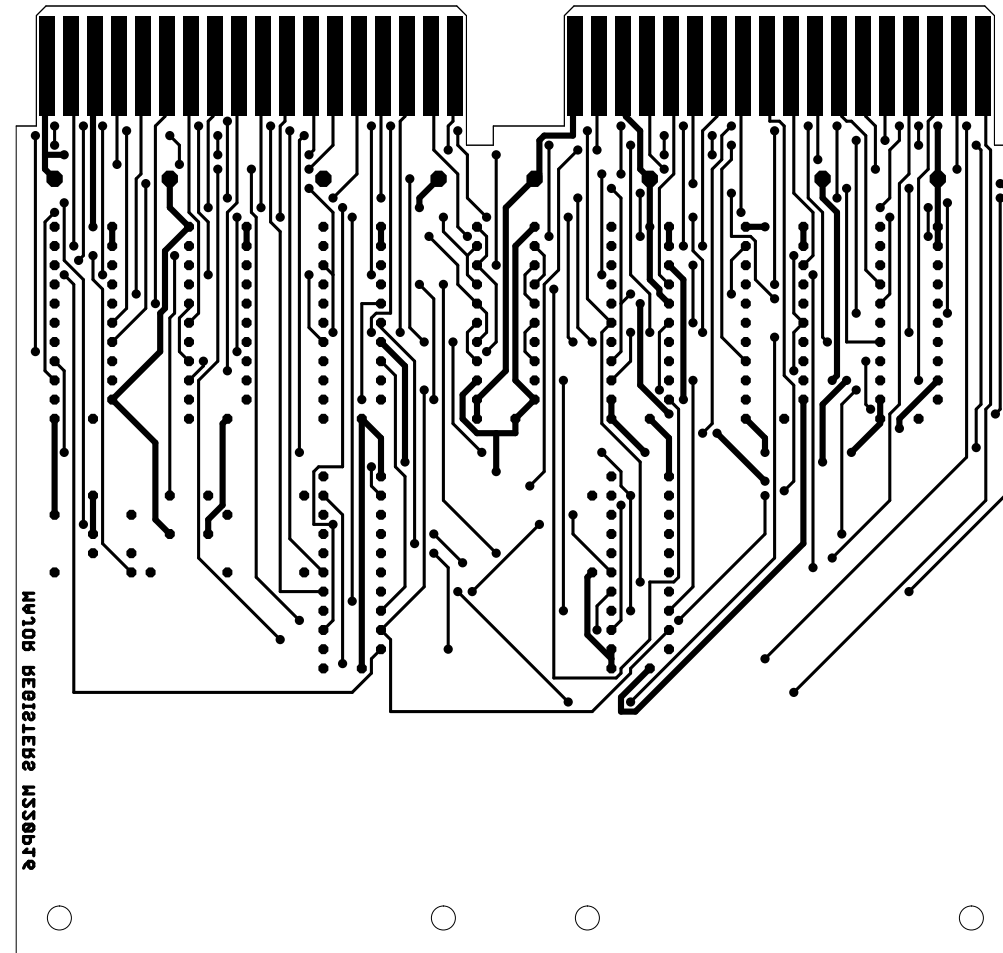
Component Names



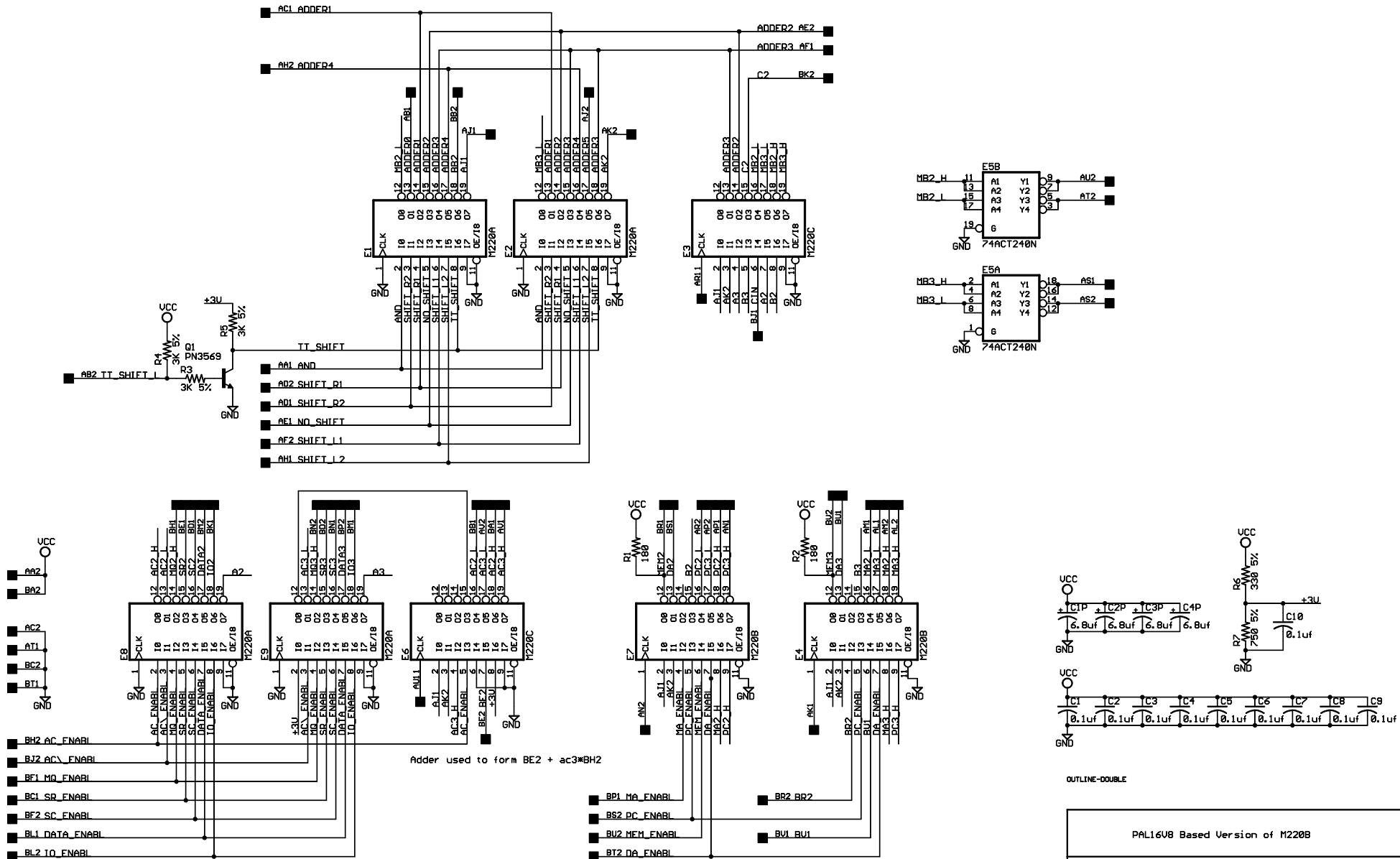
Component Values



Component Side Etch



Solder Side Etch



OUTLINE-DOUBLE

PAL16V8 Based Version of M220B	
TITLE: M220X	
Document Number: D-CS-M220-0-1	REV:
Date: 3/22/2013 08:05:02a	Sheet: 1/1