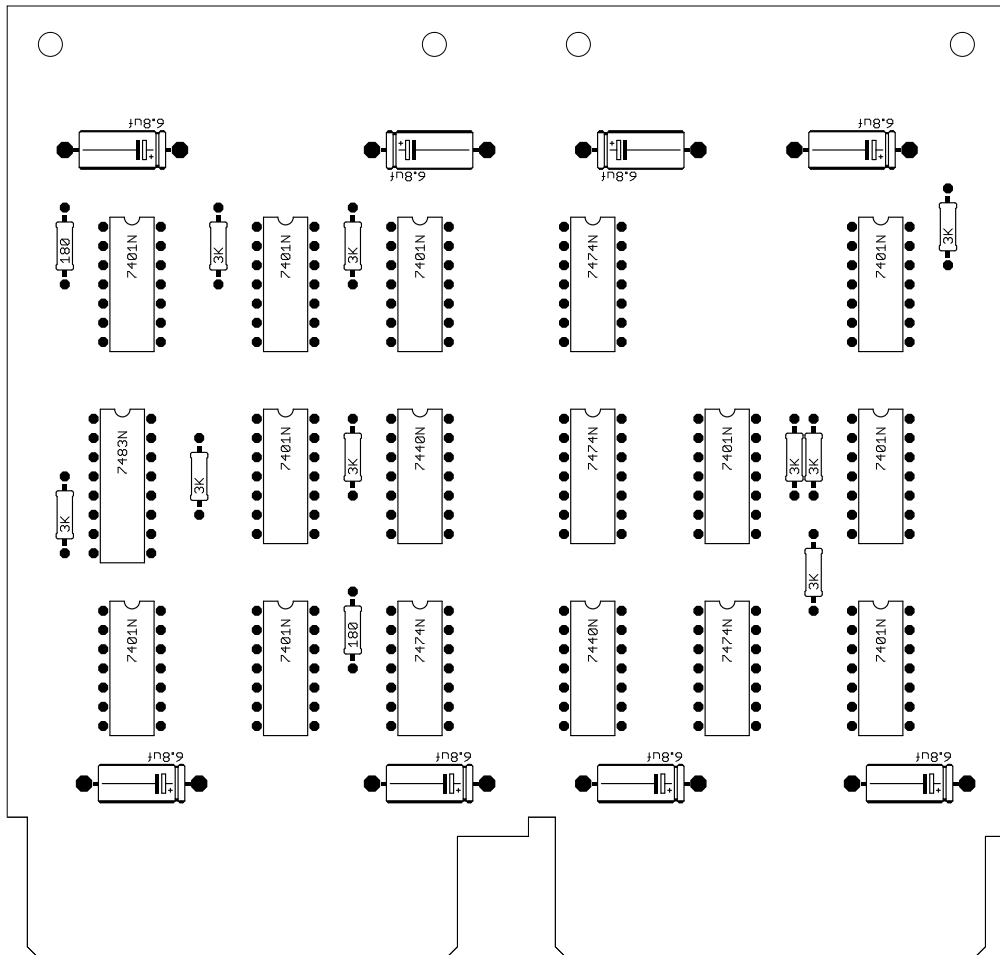
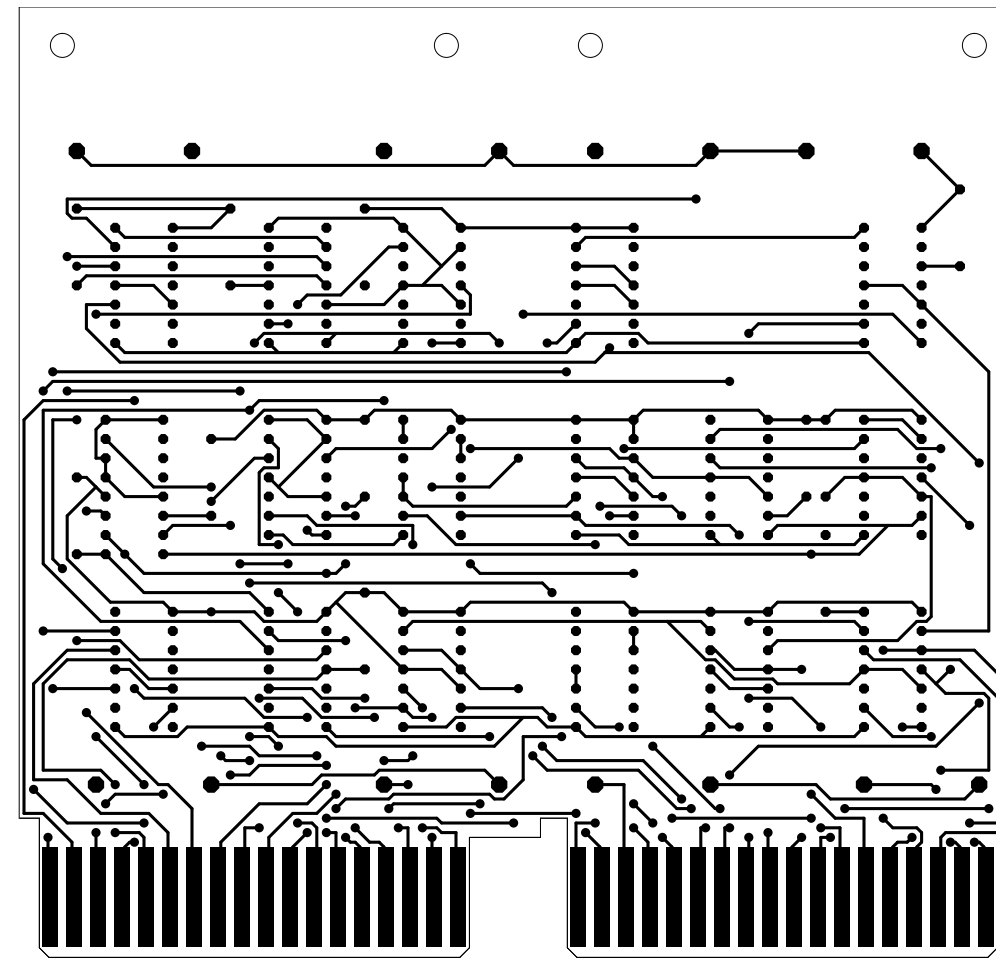


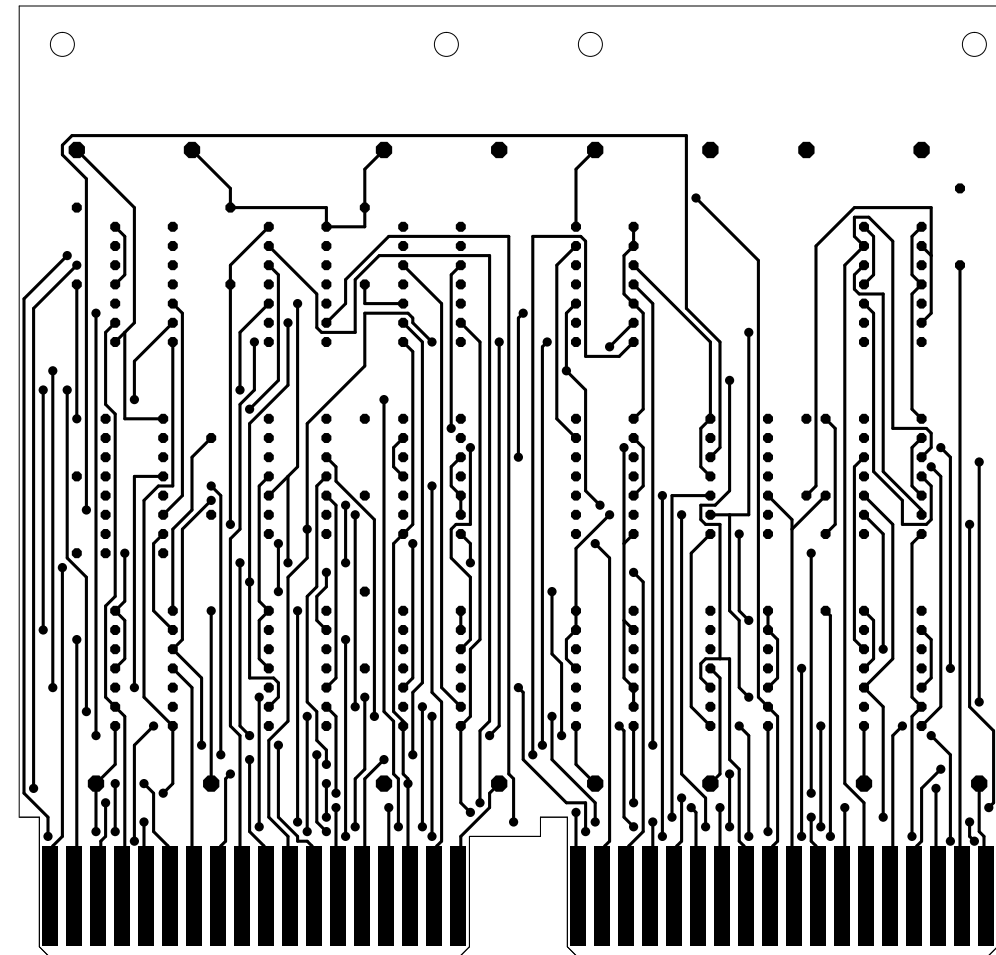
Component Names



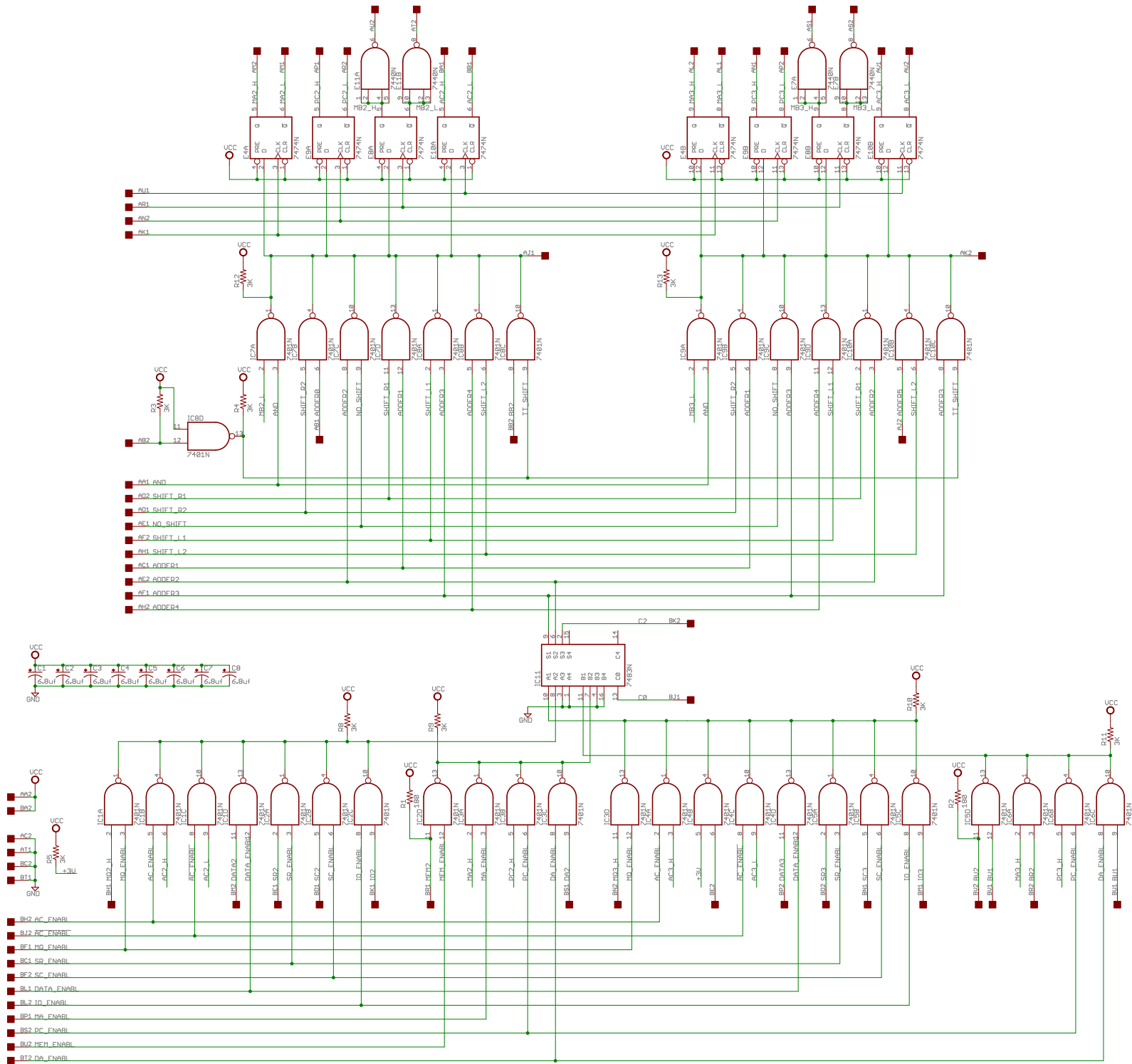
Component Values



Component Side Etch



Solder Side Etch



OUTLINE=DOUBLE 1228b with ECO applied.