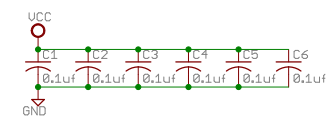
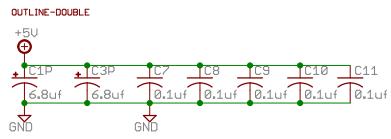
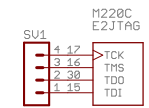
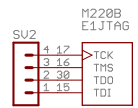
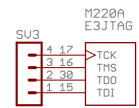
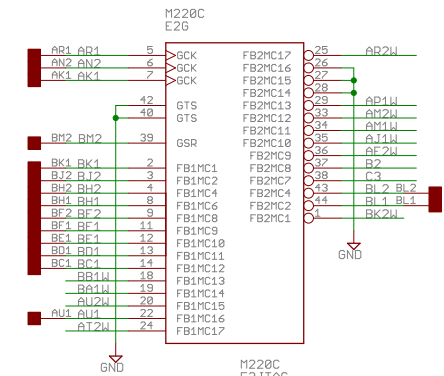
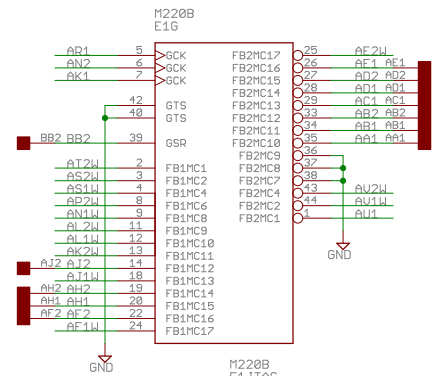
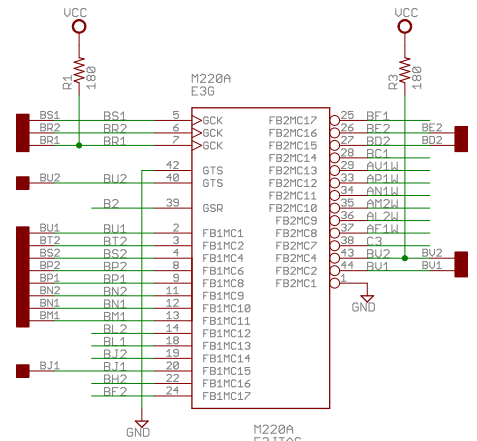
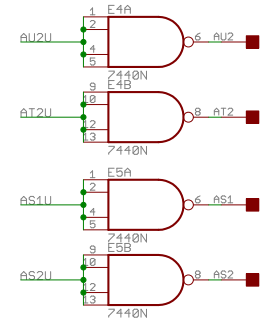
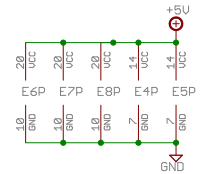
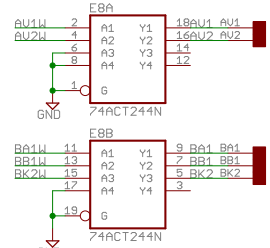
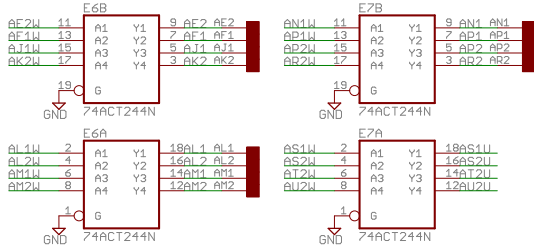


M220 has 21 outputs:

- AE2 AR2
- AF1 AS1
- AJ1 AS2
- AK2 AT2
- AL1 AU2
- AL2 AV1
- AM1 AV2
- AN1 BA1
- AP1 BB1
- AP2 BK2



PAL Based Version of M220B	
TITLE: M220xc	
Document Number:	REV:
Date: 2/25/2016 2:22:55 PM	Sheet: 1/1