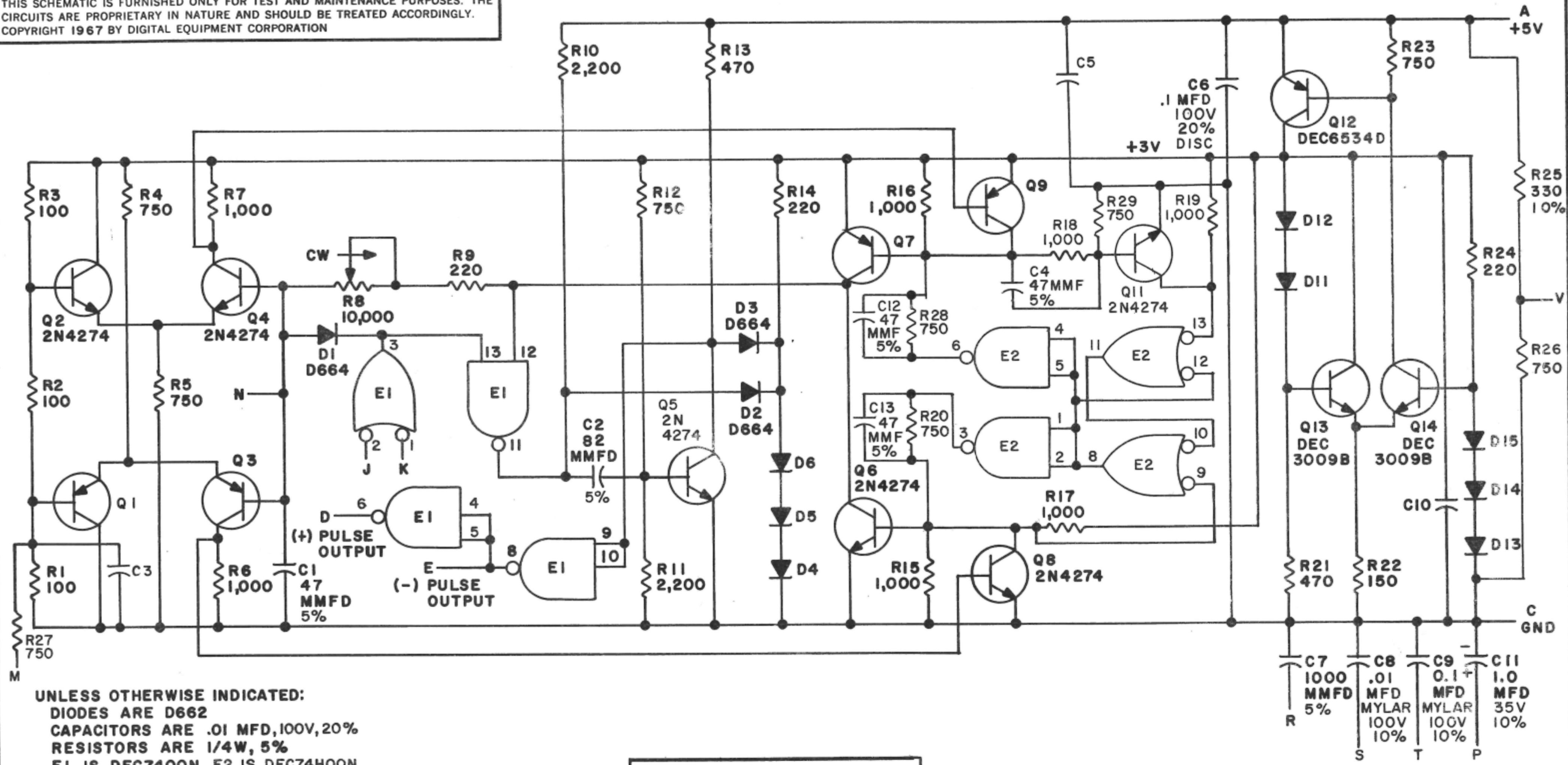


THIS SCHEMATIC IS FURNISHED ONLY FOR TEST AND MAINTENANCE PURPOSES. THE CIRCUITS ARE PROPRIETARY IN NATURE AND SHOULD BE TREATED ACCORDINGLY. COPYRIGHT 1967 BY DIGITAL EQUIPMENT CORPORATION



UNLESS OTHERWISE INDICATED:
 DIODES ARE D662
 CAPACITORS ARE .01 MFD, 100V, 20%
 RESISTORS ARE 1/4W, 5%
 E1 IS DEC7400N, E2 IS DEC74H00N
 PIN 7 ON IC = GND
 PIN 14 ON IC = +5V
 TRANSISTORS ARE DEC4258
 R8 IS A HELITRIM POT 10%-78PR

PARTS LIST A-PL-M401-0-0

REV.	CHG NO.	REV.	A	B	C	D	F	J
6769	6844	00001	00002	00003	00004	00005		

DRN. <i>M. Hallow</i>	DATE 9-11-67
CHK'D <i>R. Suberman</i>	DATE 9/13/67
ENG. <i>L. P. White</i>	DATE 9/13/67
PROD.	DATE

TRANSISTOR & DIODE CONVERSION CHART			
DEC		EIA	
DEC3009B	2N3009	D662	1N645
DEC4258	2N4258	D664	1N3606
2N4274	SAME		
DEC6534D	MPS6534		

digital
 EQUIPMENT CORPORATION
 MAYNARD, MASSACHUSETTS

TITLE CLOCK M401			
SIZE B	CODE CS	NUMBER M401-0-1	REV. J
PRINTED CIRCUIT REV.			L