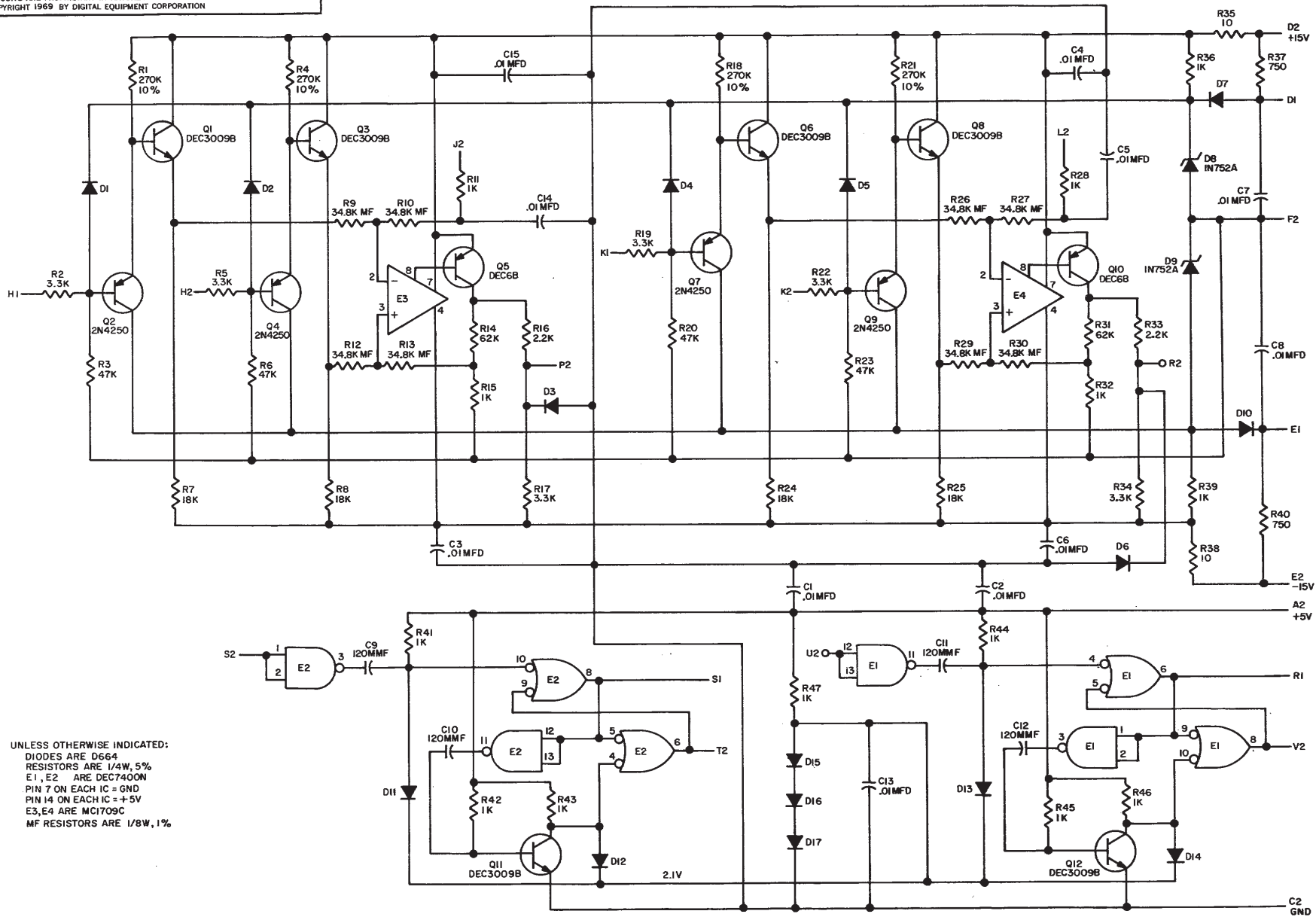


THIS SCHEMATIC IS FURNISHED ONLY FOR TEST AND MAINTENANCE PURPOSES. THE CIRCUITS ARE PROPRIETARY IN NATURE AND SHOULD BE TREATED ACCORDINGLY. COPYRIGHT 1969 BY DIGITAL EQUIPMENT CORPORATION



UNLESS OTHERWISE INDICATED:
 DIODES ARE D664
 RESISTORS ARE 1/4W, 5%
 E1, E2 ARE DEC7400N
 PIN 7 ON EACH IC = GND
 PIN 14 ON EACH IC = +5V
 E3, E4 ARE MC1709C
 MF RESISTORS ARE 1/8W, 1%

REV. NUMBER
 SIZE CODE NUMBER
 C CS M503-0-1

REVISIONS
 CHG. ENG. NO. REV.

TRANSISTOR & DIODE CONVERSION CHART			
DEC	EIA	DEC	EIA
D664	IN3606		
DEC3009B	2N3009		
2N4250	NONE		
IN752A	SAME		
DEC68	NONE		

digital		SCHMITT TRIGGER M503	
EQUIPMENT CORPORATION		SIZE	NUMBER
MAYNARD, MASSACHUSETTS		C CS	M503-0-1
PRINTED CIRCUIT REV.		REV.	