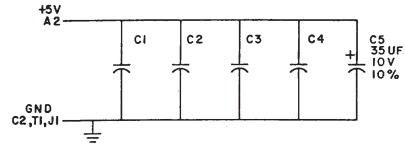
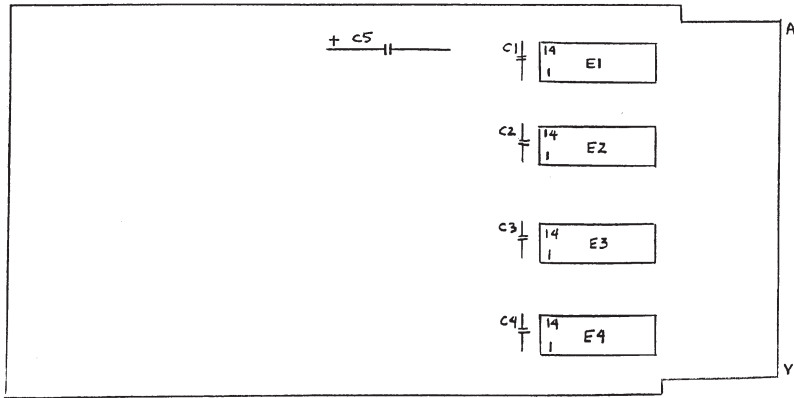
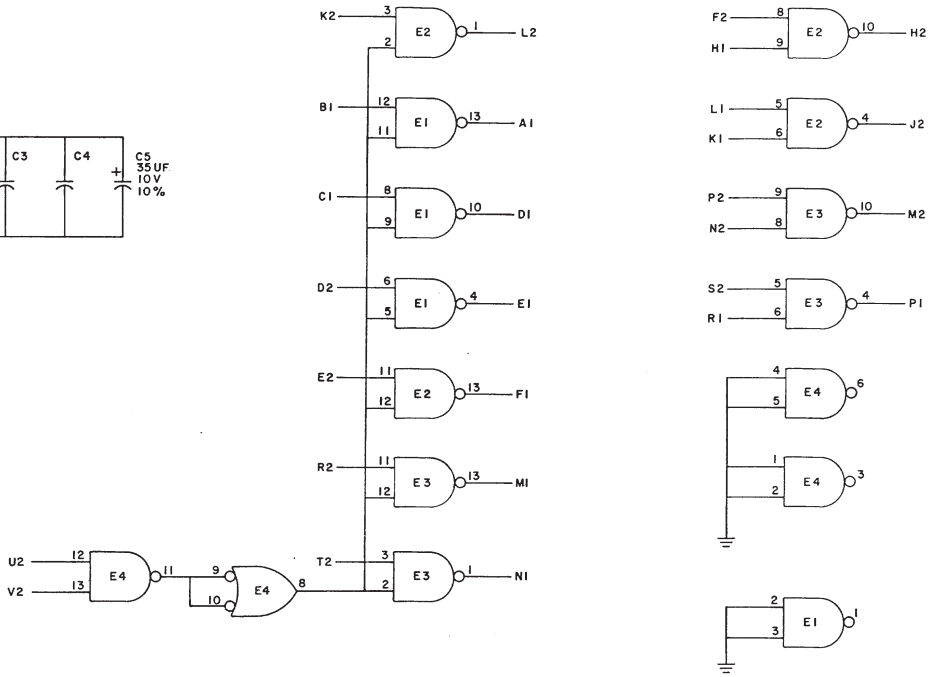


THIS SCHEMATIC IS FURNISHED ONLY FOR TEST AND MAINTENANCE PURPOSES. THE CIRCUITS ARE PROPRIETARY IN NATURE AND SHOULD BE TREATED ACCORDINGLY. COPYRIGHT 1970 BY DIGITAL EQUIPMENT CORPORATION



UNLESS OTHERWISE INDICATED:  
 CAPACITORS ARE .01UF, 100V, 20%  
 E1, E2 AND E3 ARE DEC 8881  
 E4 IS DEC 7400  
 PIN 7 = GND ON EACH IC  
 PIN 14 = +5V



ITEM NO.	QTY	DESCRIPTION	DEC PART NO.
10	1	HANDLE, FLIP CHIP - MAGENTA	9008337-06
9	2	EYELET	9006732
8	3	I.C. DEC 8881	1909705
7	1	I.C. DEC 7400	1905575
6	4	CAP. .01UF, 100V, 20% DISC	1001610
5	1	CAP. .39UF, 10V, 10% S. TANT	1000076
4	1	ETCHED CIRCUIT BOARD	5009347
3		MODULE ECO HISTORY	B-MH-M629-0-6
2		ASSY/DRILLING HOLE LAYOUT	C-AH-M629-0-5
1		X-Y COORDINATE HOLE LOCATION	K-70-M629-0-4
PARTS LIST			

REV.	NO.	DATE	BY

DRN	DATE
S. ROOPER	12/14/70
CHKD	DATE
ENG.	DATE
PROD	DATE

TRANSISTOR & DIODE CONVERSION CHART			
DEC	EIA	DEC	EIA

**digital** BUS DRIVERS M629

EQUIPMENT CORPORATION

SIZE CODE NUMBER  
 C CS M629-0-1

MATHARD, MASSACHUSETTS PRINTED CIRCUIT REV. A

REV. NUMBER  
 CS M629-0-1