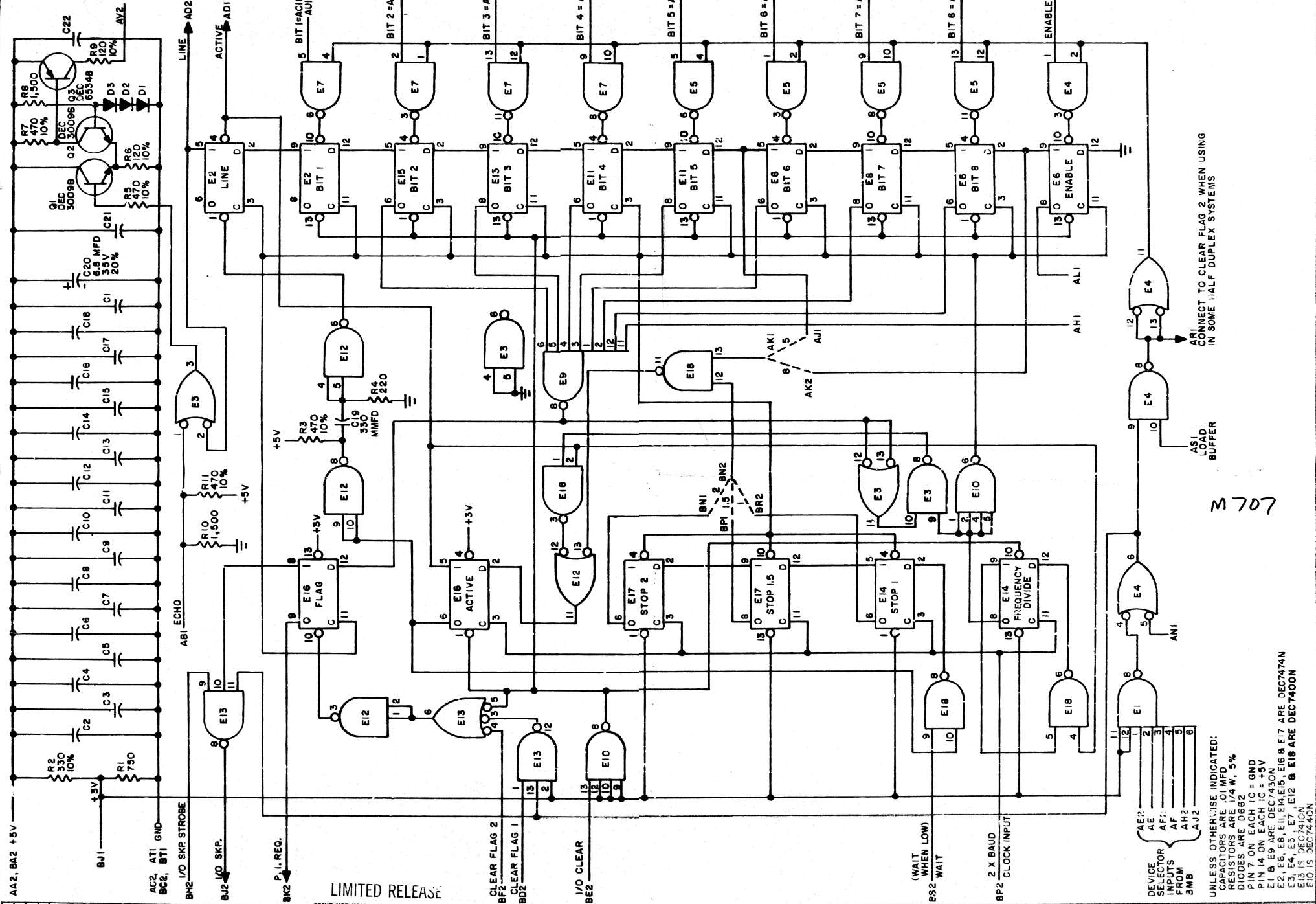


THIS SCHEMATIC IS FURNISHED ONLY FOR TEST AND MAINTENANCE PURPOSES. THE CIRCUITS ARE PROPRIETARY IN NATURE AND SHOULD BE TREATED ACCORDINGLY. COPYRIGHT 1967 BY DIGITAL EQUIPMENT CORPORATION



M707

REV.	CHG NO.	REV.
1	6387	A
2	6579	B
3	00001	C
4	00002	C

LIMITED RELEASE
 PRINT NOT VALID FOR MFG. UNLESS SIGNED
 SEP 5 1969
 ENG. _____
 QTY. REQ'D _____

DRN.	DATE	TRANSISTOR & DIODE CONVERSION CHART			
<i>M. Weller</i>	5-19-67	DEC	EIA	DEC	EIA
CHK'D	DATE				
<i>A. Salomon</i>	5/25/67	D662	IN645		
DATE	5-25-67	DEC3009B	2N3009		
PROD.	DATE	DEC6534B	MPS6554		

digital		EQUIPMENT CORPORATION		MAYNARD, MASSACHUSETTS	
SIZE	CODE	NUMBER	REV		
C	CS	M707-C-1	C		
PRINTED CIRCUIT REV.			D		

UNLESS OTHERWISE INDICATED:
 CAPACITORS ARE .01 MFD
 RESISTORS ARE 1/4 W, 5%
 DIODES ARE D662
 PIN 7 ON EACH IC = GND
 PIN 14 ON EACH IC = +5V
 E1, E2, E3, E4, E5, E6, E7, E8, E9, E10, E11, E12, E13, E14, E15, E16 ARE DEC7474N
 E1, E2, E3, E4, E5, E6, E7, E8, E9, E10, E11, E12, E13, E14, E15, E16 ARE DEC7400N