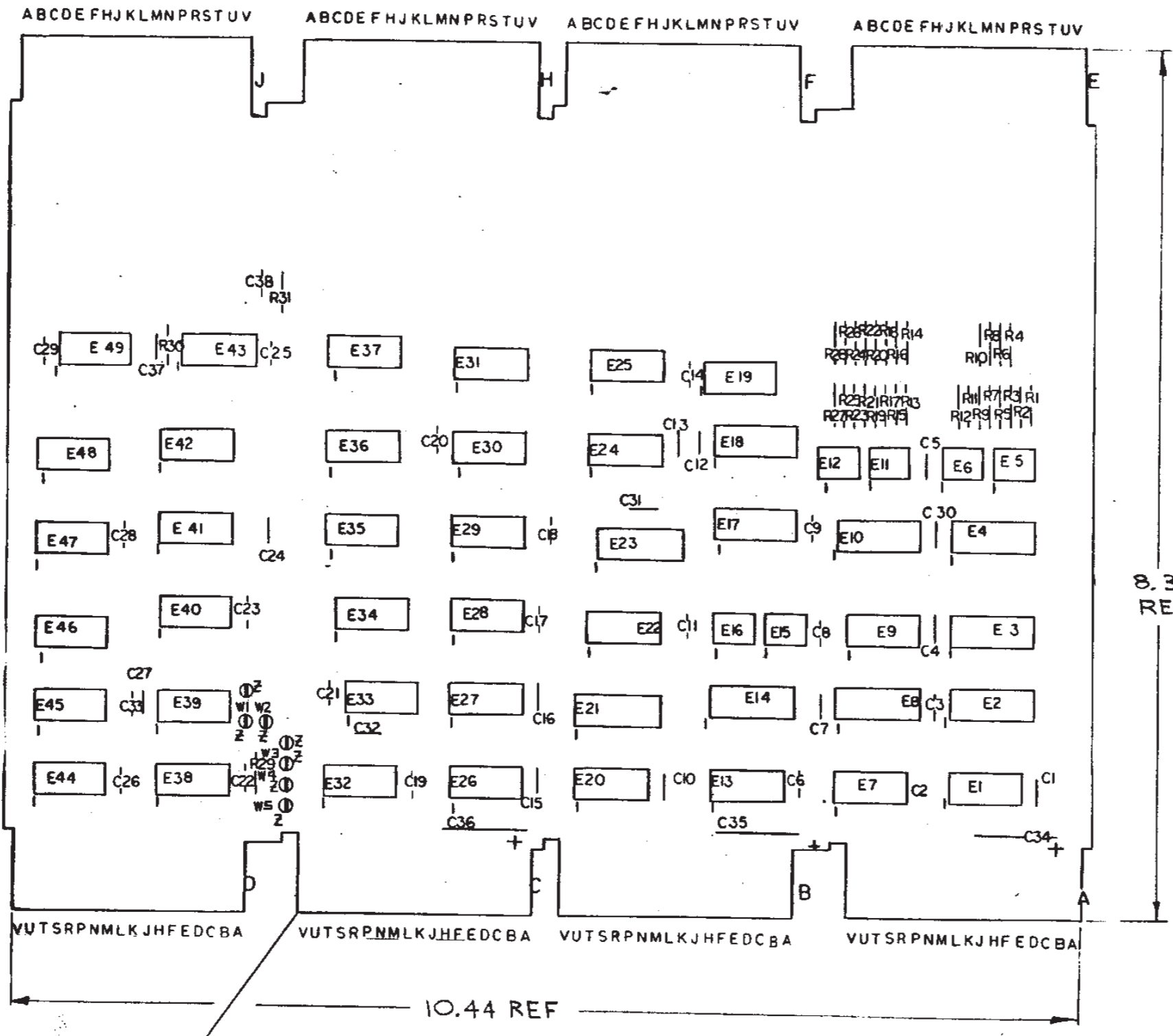


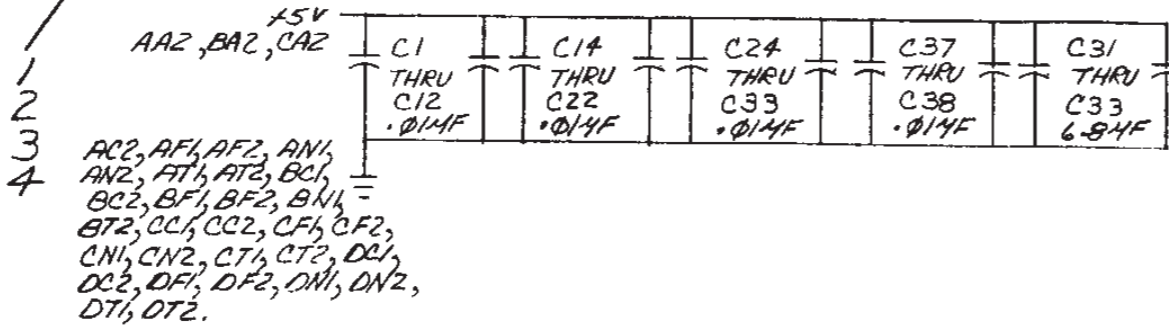
This drawing and specifications, herein, are the property of Digital Equipment Corporation and shall not be reproduced or copied or used in whole or in part as the basis for the manufacture or sale of items without written permission.

NOTES:



8.31 F.B.S. REF

10.44 REF



DEC 74155	8	16
DEC 74174	8	16
DEC 74174	8	16
DEC 74161	8	16
DEC 75452	4	8
DEC 75451	4	8
DEC 8271	8	16
DEC 384	1	8
DEC 380	1	8
IC TYPE	GND	+ 5V

GND AND 5V ARE USUALLY PIN 7 AND 14 RESPECTIVELY. EXCEPTIONS ARE STATED ABOVE.

IC PIN LOCATIONS

QTY	REF DESIGNATION	DESCRIPTION	PART NO.	ITEM NO.
7		SPLIT LUG	9006735	34
1	E46	I.C. DEC 7440	1905579	33
1	E10	I.C. DEC 74155	1910656	32
1	E23	I.C. DEC 74174	1910652	31
3	E8, E18, E21	I.C. DEC 74161	1910650	30
4	E5, E6, E15, E16	I.C. DEC 75452	1910645	29
2	E11, E12	I.C. DEC 75451	1910906	28
2	E9, E14	I.C. DEC 7496	1910363	27
3	E25, E30, E41	I.C. DEC 7408	1910155	26
1	E24	I.C. DEC 7486	1910011	25
6	E17, E20, E26, E38, E44	I.C. DEC 8881	1909705	24
2	E39, E45	I.C. DEC 74474	1909667	23
3	E3, E3, E17	I.C. DEC 8271	1909615	22
2	E42, E43	I.C. DEC 7404	1909686	21
1	E27	I.C. DEC 384	1909486	20
3	E13, E22, E32	I.C. DEC 380	1909485	19
1	E38	I.C. DEC 74411	1909267	18
1	E9	I.C. DEC 74452	1909061	17
1	E37	I.C. DEC 74410	1909057	16
2	E28, E47	I.C. DEC 7402	1909004	15
6	E19, E20, E31, E36, E40, E49	I.C. DEC 7400	1905575	14
3	E34, E35, E48	I.C. DEC 7474	1905547	13
14	R2, R5, R6, R9, R10, R12, R15, R16, R17, R20, R23, R24, R27, R28	RESISTOR, 100, 1/4W, 5%	1301322	12
1	R29	RESISTOR, 1K, 1/4W, 5%	1300365	11
14	R1, R3, R4, R7, R8, R11, R13, R14, R17, R18, R21, R22, R25, R26	RESISTOR, 390, 1/4W, 5%	1300309	10
2	R30, R31	RESISTOR, 100, 1/4W, 5%	1300229	9
32	C1 THRU C33	CAP., 0.01UF, 100V, 20% DISC	1001610	8
3	C34 THRU C36	CAP., 0.01UF, 35V, 20% S.TANT	1000067	7
1	C38	CAP., 560PF, 100V, 5% D.M.	1000025	6
1	C37	CAP., 470PF, 100V, 5% D.M.	1000024	5
1		ETCHED CIRCUIT BOARD	5010065	4
REF		MODULE ECO HISTORY	B-MH-M7105-0-3	3
REF		ASSY DRILLING HOLE LAYOUT	D-MH-M7105-0-5	2
REF		X-Y COORDINATE HOLE LOCATION	K-CO-M7105-0-1	1

CHK	CHANGE NO.	REV	DEC NO.	EIA NO.	DEC NO.	EIA NO.	SCALE	SHEET	OF
							NO. 3	2	OF

digital EQUIPMENT CORPORATION
MAYHARD, MASSACHUSETTS

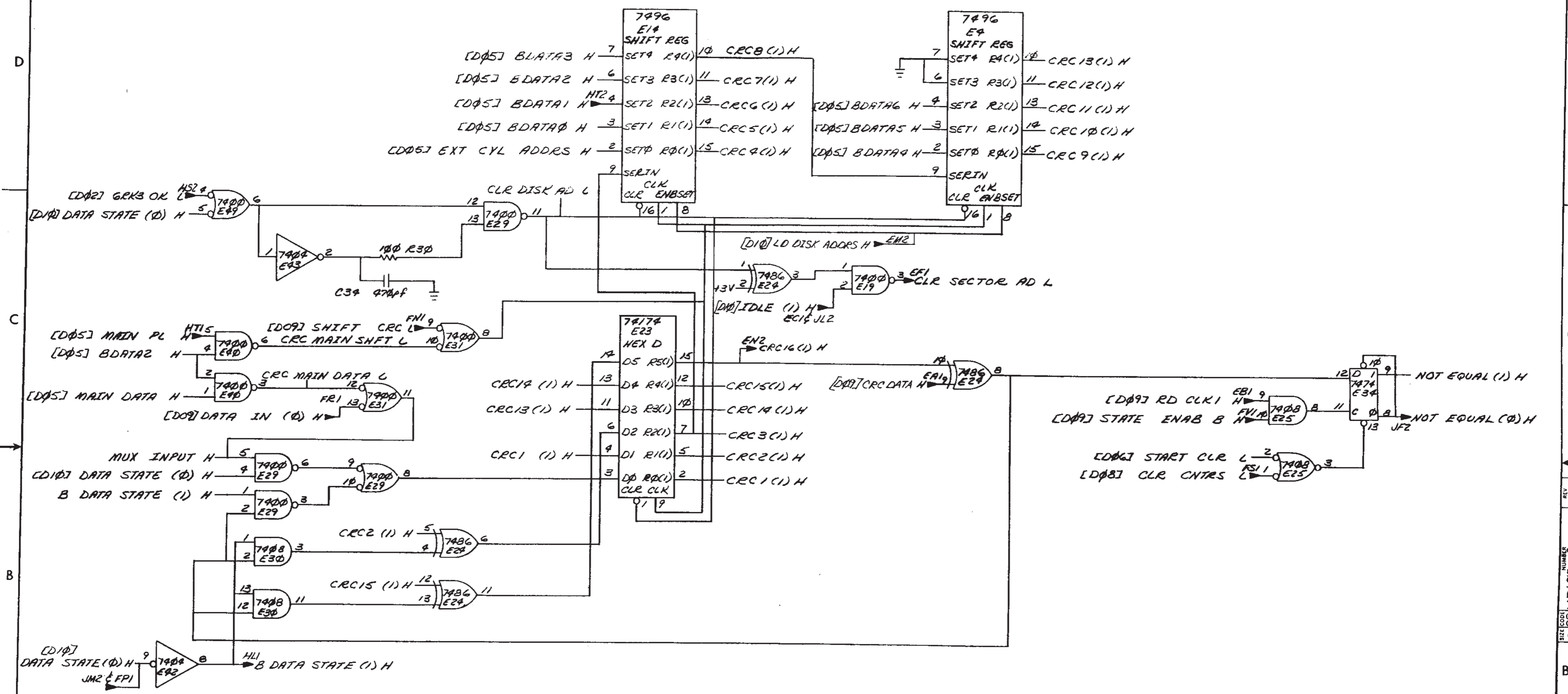
MAJOR REGISTERS

SIZE CODE: DCS M7105-0-1
NUMBER: A
REV: A

REVISING 40-222 10899

DEC FORM NO. DRD-135A

This drawing and specifications, herein, are the property of Digital Equipment Corporation and shall not be reproduced or copied or used in whole or in part as the basis for the manufacture or sale of items without written permission.



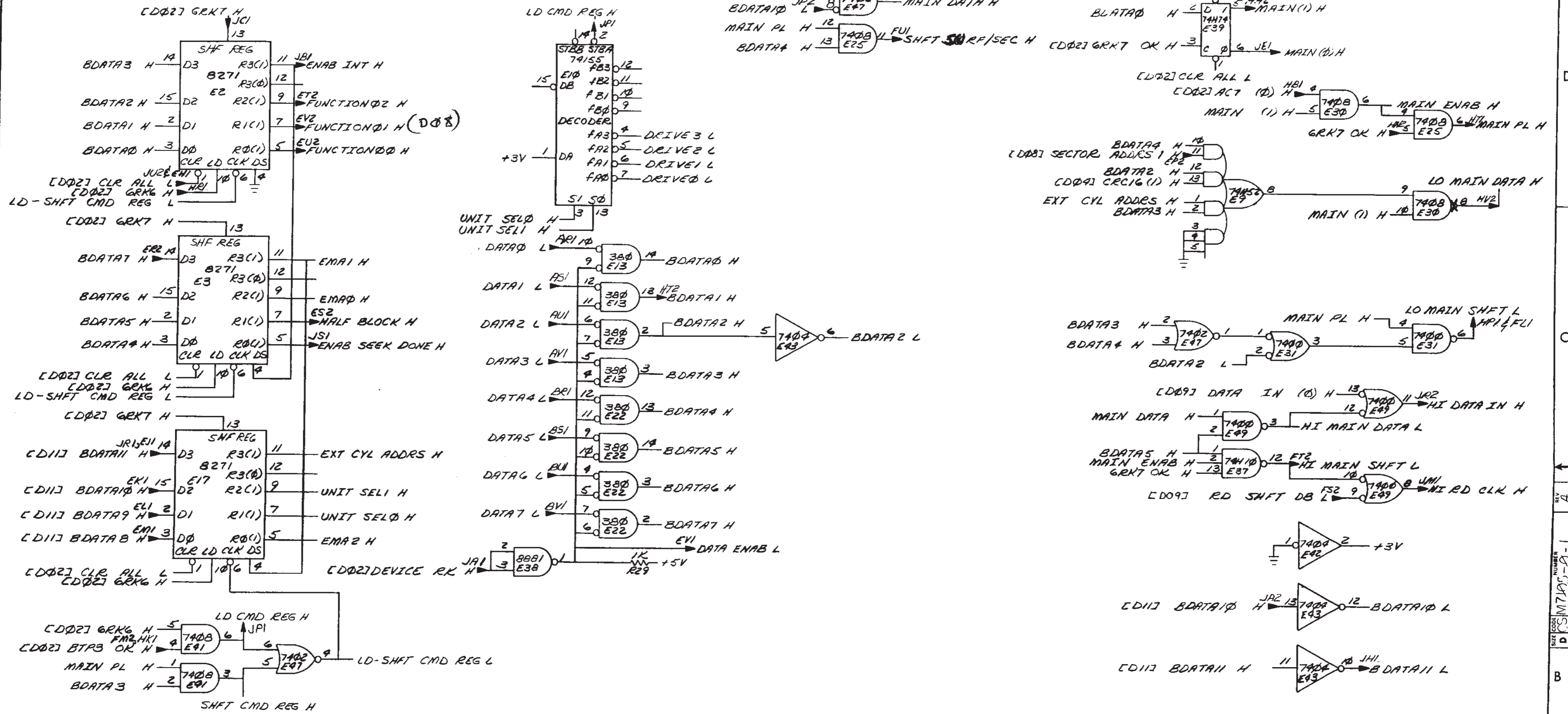
(CRC/DISK ADDRESS REG)

BRUNING 40-532 15840	REV	PHI
REVISIONS	CHANGE NO.	
CHK	OK 8-1-72	

FIRST USED ON OPTION/MODEL	QTY.	DESCRIPTION	PART NO.	ITEM NO.
RK8-E				
UNLESS OTHERWISE SPECIFIED DIMENSION IN INCHES.				
TOLERANCES				
DECIMALS	ANGLES	DATE 6/13/72		
.XXX - .005	±0° 30'	DRN	DATE	11-9-72
.XX - .02		CHK'D	DATE	12/11/74
.X - .1		ENG	DATE	10/11/71
REMOVE BURRS AND BREAK SHARP CORNERS SURFACE QUALITY		PROD	DATE	10/9/72
MATERIAL		NEXT HIGHER ASSY.		D04
FINISH		D-UA-RK8-E-0	SIZE CODE	NUMBER
		SCALE	DCS M7105-0-1	REV.
		SHEET 3 OF	DIST.	A

SIZE CODE
 DCS M7105-0-1
 NUMBER
 REV. A

This drawing and specifications, herein, are the property of Digital Equipment Corporation and shall not be reproduced or copied or used in whole or in part as the basis for the manufacture or sale of items without written permission.



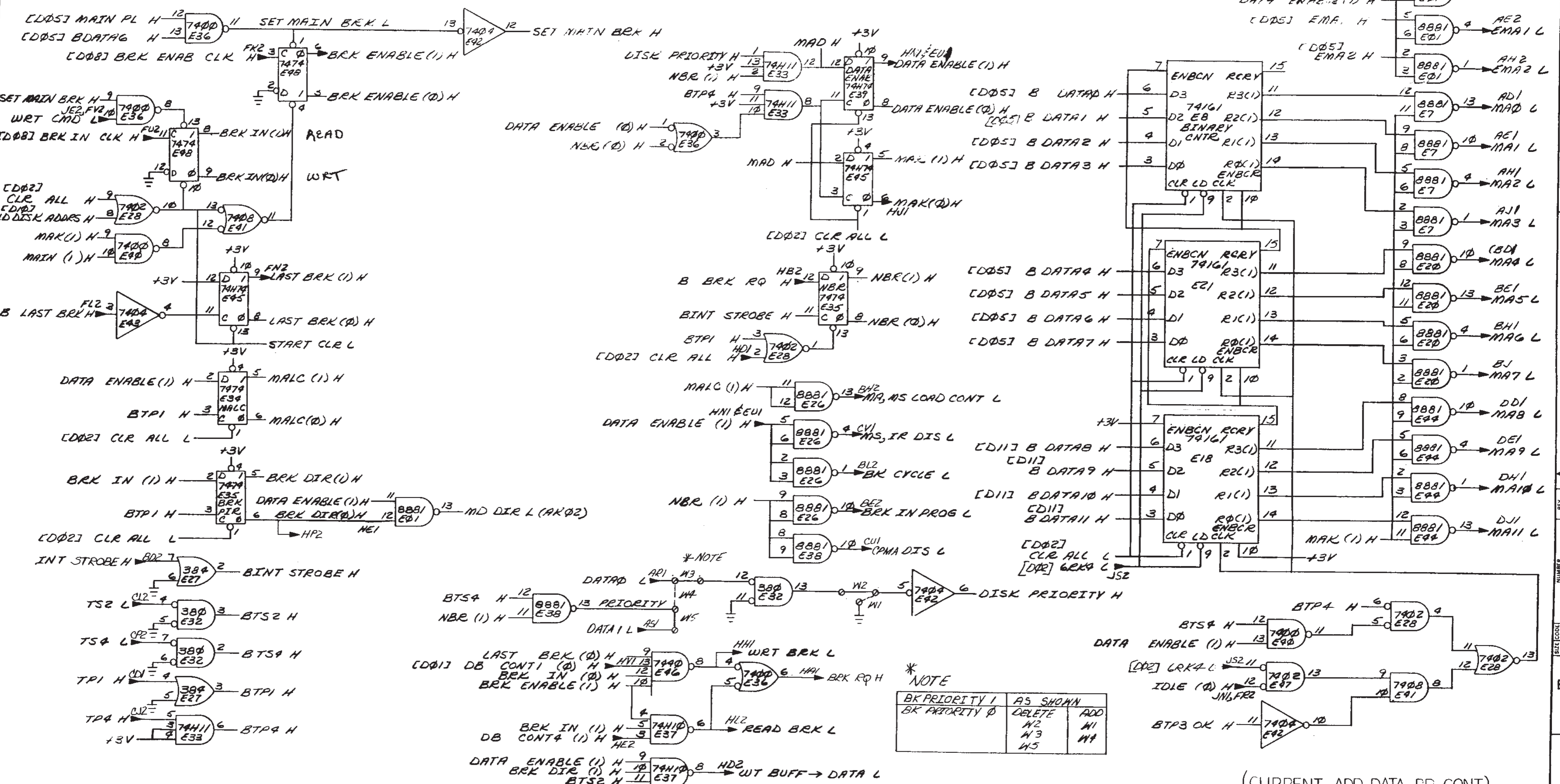
(COMMAND REG. MAINT. LOGIC)

FIRST USED ON OPTION/MODEL	QTY.	DESCRIPTION	PART NO.	ITEM NO.
RK8-E				
UNLESS OTHERWISE SPECIFIED DIMENSION IN INCHES TOLERANCES				
DECIMALS	ANGLES	DATE	PARTS LIST	
.XXX - .006	±0° 30'	6/13/71	digital EQUIPMENT CORPORATION	
.XX - .02		6/22/71	MAYNARD MASSACHUSETTS	
X - 1		10/1/71	TITLE (D05) MAJOR REGISTER	
REMOVE BURRS AND BREAK SHARP CORNERS SURFACE QUALITY				
MATERIAL NEXT HIGHER ASSY.				
		SIZE CODE	NUMBER	REV.
		B-DD-RK8-0	DCS M7105-0-1	A
FINISH		SCALE	SHEET	DIST.
		4 OF 6		

BRUNING 40-522 15840
 REVISIONS
 CHANGE NO. 10K 5-1-72
 CHK. [Signature]
 DEF. FORM NO. DRD 102-B

REV. 4
 CS M7105-0-1
 DCS M7105-0-1

This drawing and specifications, herein, are the property of Digital Equipment Corporation and shall not be reproduced or copied or used in whole or in part as the basis for the manufacture or sale of items without written permission.



* NOTE

BK PRIORITY 1	AS SHOWN	ADD
BK PRIORITY 0	DELETE	W1
		W3
		W5

(CURRENT ADD DATA BR CONT.)

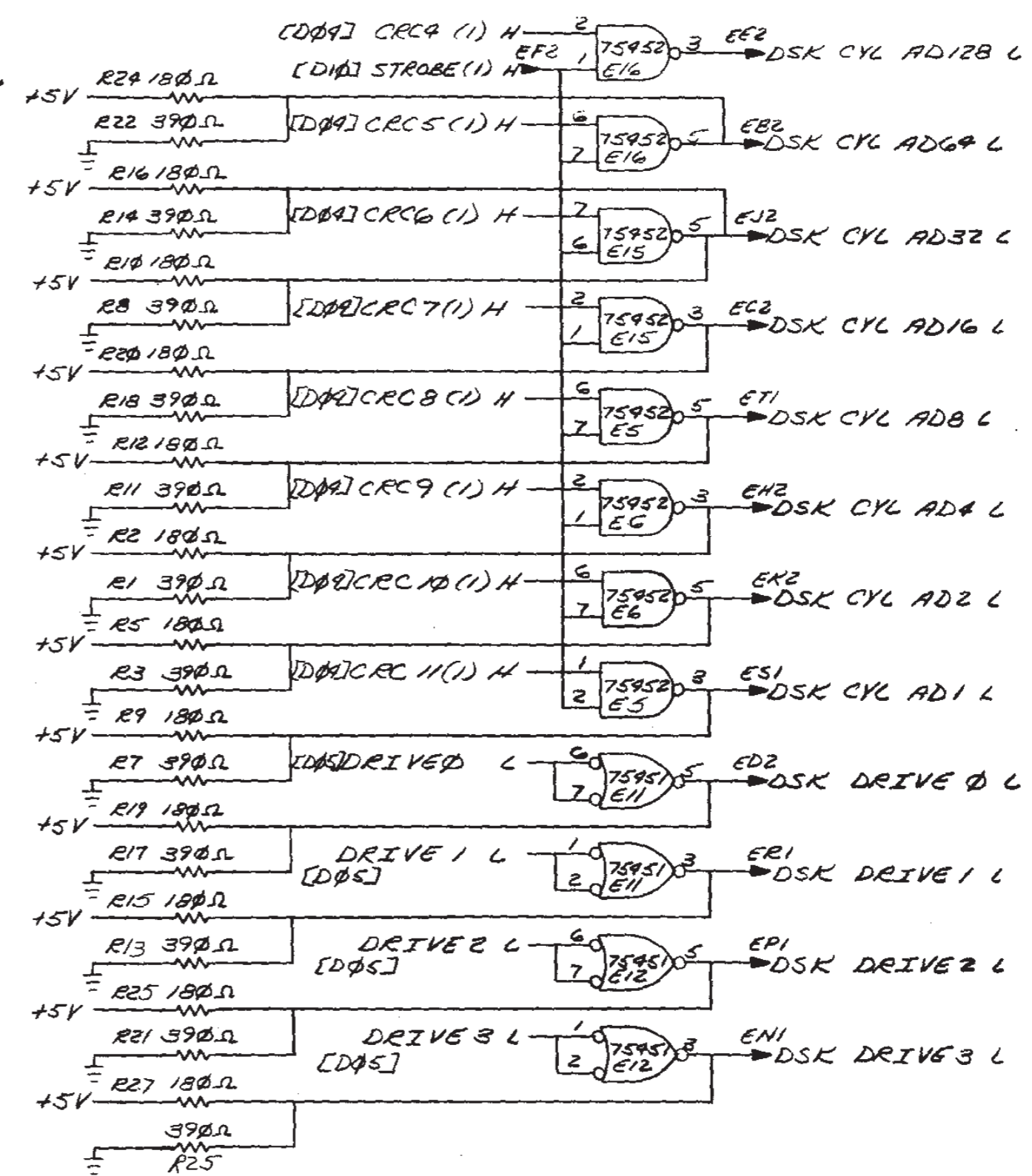
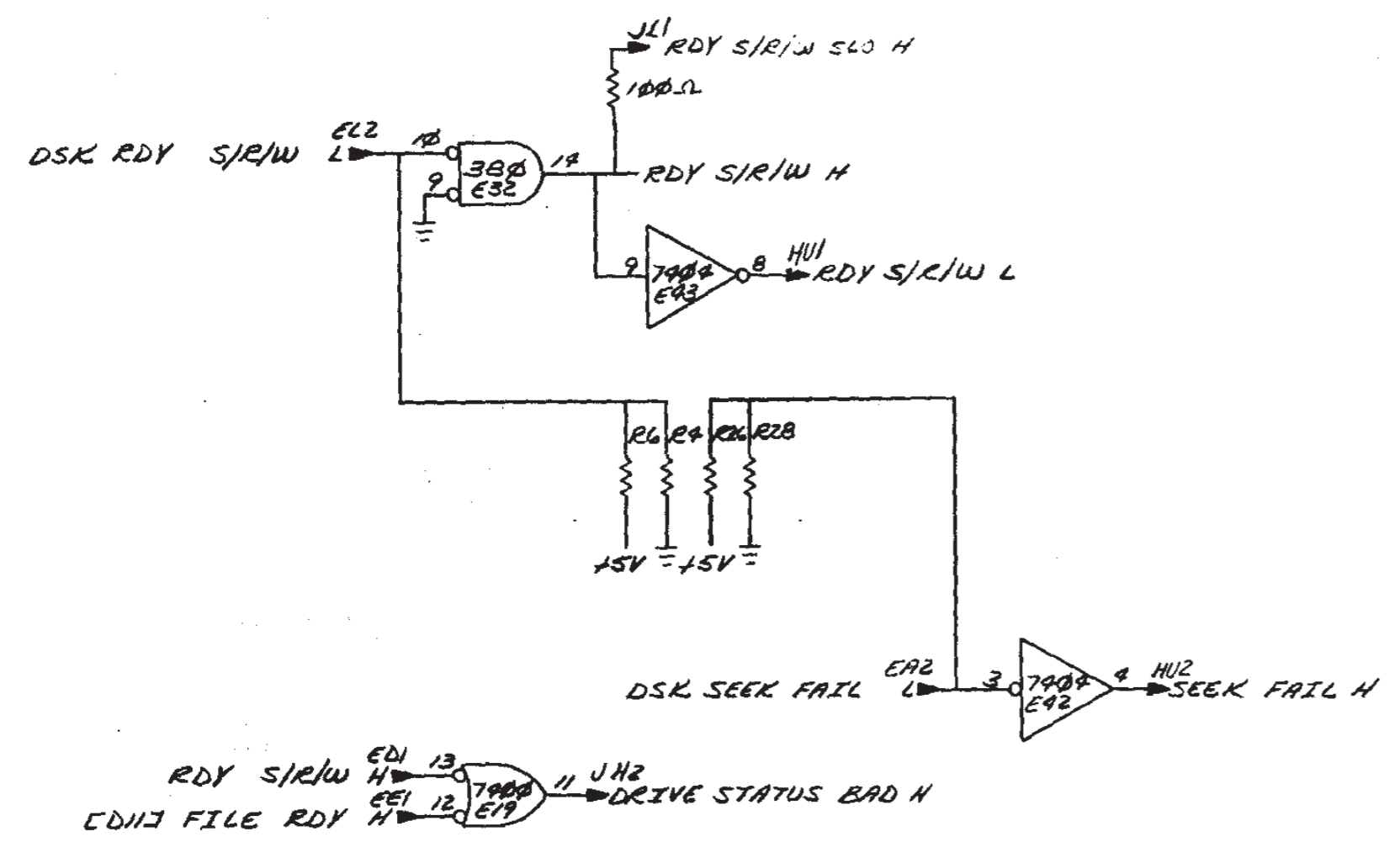
FIRST USED ON OPTION/MODEL	QTY.	DESCRIPTION	PART NO.	ITEM NO.
RK8-E				
PARTS LIST				
UNLESS OTHERWISE SPECIFIED DIMENSION IN INCHES TOLERANCES		DRN <i>Walent</i> DATE 6-14-70		
DECIMALS .XXX - .005	ANGLES ±0° 30'	CHK'D <i>P. J.</i> DATE 11-1-70		
REMOVE BURRS AND BREAK SHARP CORNERS SURFACE QUALITY		ENG. <i>Walent</i> DATE 1-14-70	TITLE (D06) MAJOR REGISTERS	
MATERIAL		PROJ. ENG. <i>Walent</i> DATE 1-14-70	SIZE CODE B-DD-RK8-0	
FINISH		PROD. <i>Walent</i> DATE 1-14-70	NUMBER DCS M7105-0-1	
			REV. A	
			SCALE	
			SHEET 5 OF	

BRUNING 40-521 15840
 REVISIONS
 CHANGE NO. 8-1-72
 CHK. OK
 DEC FORM NO. DRD 102-B

REV. A
 NUMBER DCS M7105-0-1

This drawing and specifications herein are the property of Digital Equipment Corporation and shall not be reproduced or copied or used in whole or in part as the basis for the manufacture or sale of items without written permission.

1-3-70 1-3-70 2



(DRIVE SIGNALS CABLE J1)

FIRST USED ON OPTION/MODEL	QTY.	DESCRIPTION	PART NO.	ITEM NO.
RK8-E				
PARTS LIST				
UNLESS OTHERWISE SPECIFIED DIMENSION IN INCHES.		DRN <i>akbit</i>	DATE 6-1-70	digital EQUIPMENT CORPORATION MAYNARD MASSACHUSETTS
TOLERANCES		CHK'D	DATE	
DECIMALS	ANGLES	ENG <i>Tom</i>	DATE	TITLE (D07) MAJOR REGISTERS
XX - .005	±0° 30'	PROJ. ENG.	DATE	
REMOVE BURRS AND BREAK SHARP CORNERS SURFACE QUALITY		PROD. <i>Dubois</i>	DATE	
MATERIAL	NEXT HIGHER ASSY.		SIZE CODE	NUMBER
FINISH	B-DD-RKS-0		D	CS M7105-0-1
SCALE		SHEET 6 OF		REV. A

BRUNING 40-522 15840
DEC FORM NO DRD 102-B

REV	REV
1	P01

CHG 3-1-70

REV A
NUMBER M7105-0-1
SHEET 6 OF 6