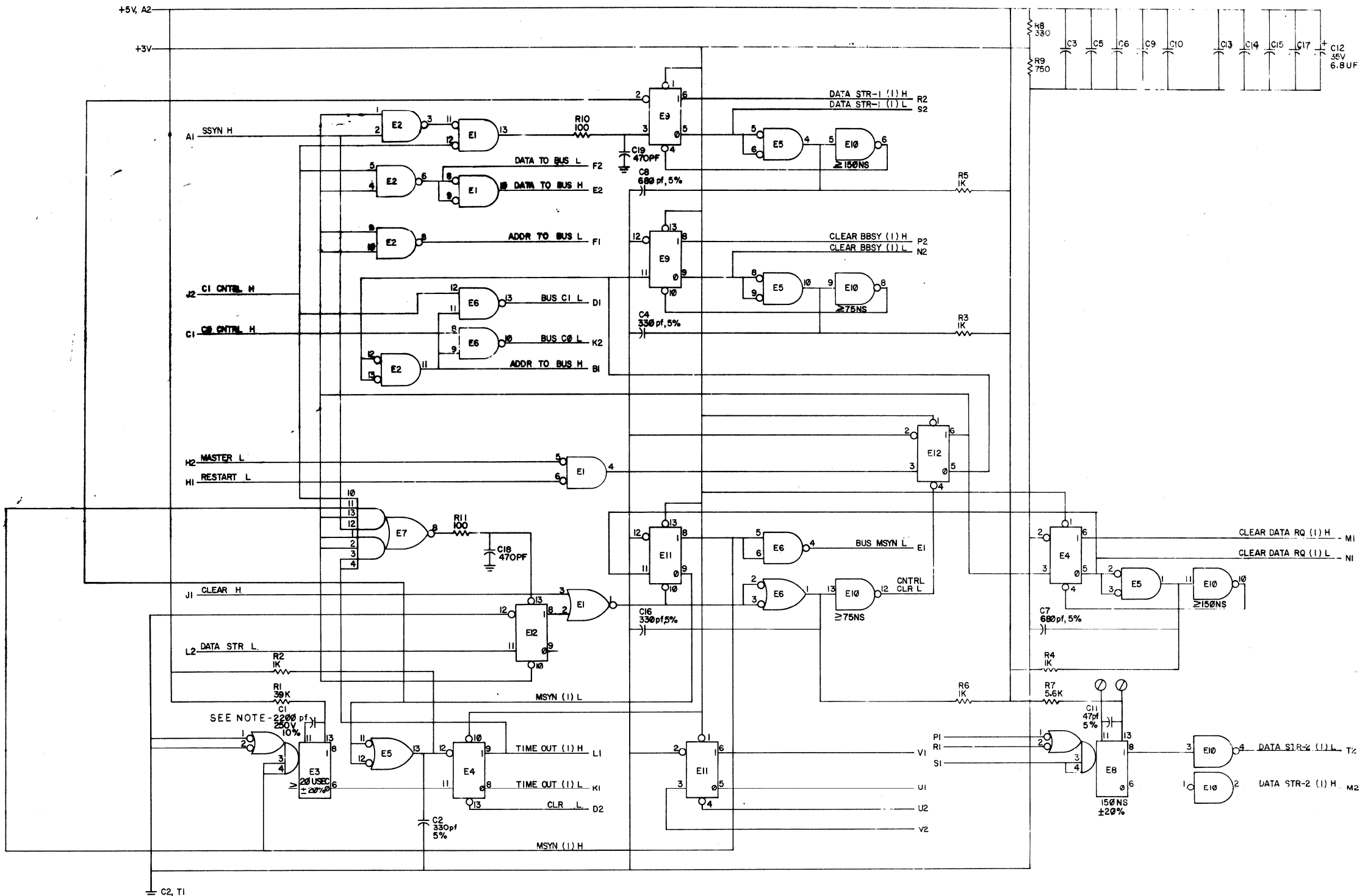


THIS SCHEMATIC IS FURNISHED ONLY FOR TEST AND MAINTENANCE PURPOSES. THE CIRCUITS ARE PROPRIETARY IN NATURE AND SHOULD BE TREATED ACCORDINGLY. COPYRIGHT 1970 BY DIGITAL EQUIPMENT CORPORATION.



NOTE: C1 IS CHANGED TO 5000PF ± 20% (100I765) FOR A DELAY OF 37µS MINIMUM WHEN USED WITH A DL 10.

UNLESS OTHERWISE INDICATED:
 RESISTORS ARE 1/4W, 5%
 CAPACITORS ARE .01µf, 100V, 20%
 E1 IS DEC7402
 E2 IS DEC7400
 E3, E8 ARE DEC9601
 E4, E9, E11, E12 ARE DEC7474
 E5 IS DEC7401
 E6 IS DEC8881
 E7 IS DEC74155
 E10 IS DE7404
 ⊕ = SPLIT LUGS

REV	DATE	BY	CHKD
1	10/29/70	W. J.
2	7-20-72
3

TRANSISTOR & DIODE CONVERSION CHART			
DEC	EIA	DEC	EIA

EQUIPMENT CORPORATION		MAYNARD, MASSACHUSETTS		PRINTED CIRCUIT REV. C	
SIZE D	CODE CS	NUMBER M796-0-1	REV D		

SHEET NUMBER 0-1
 D CS M796-0-1