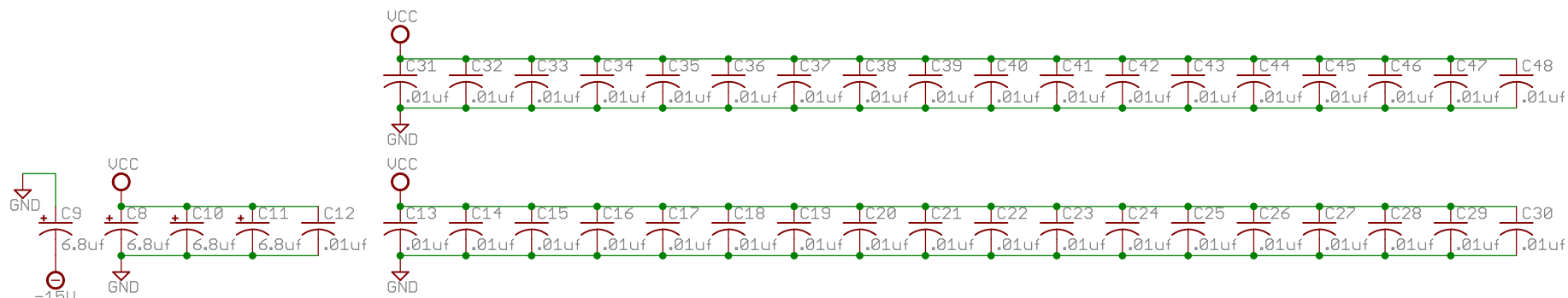
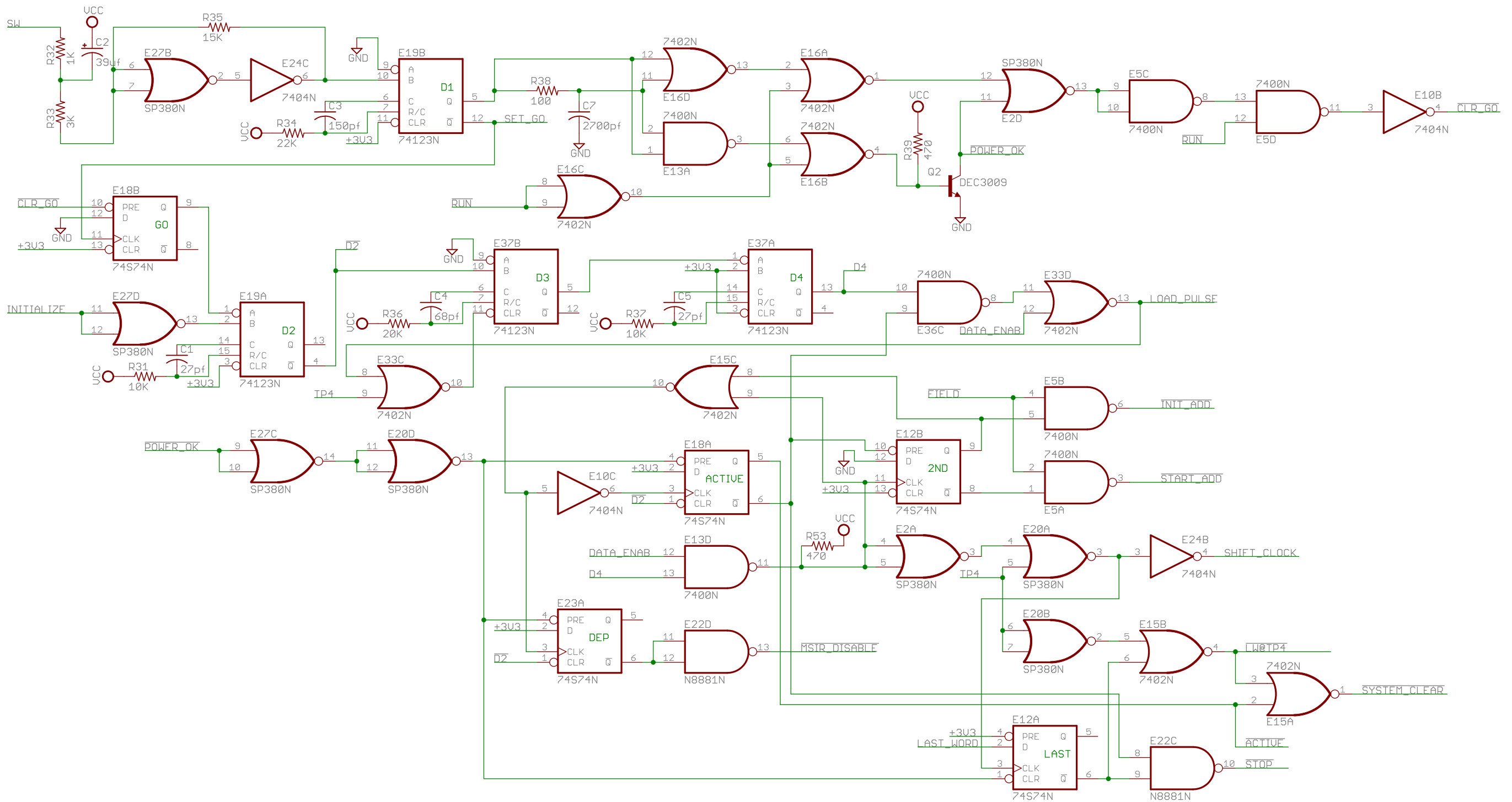


TITLE: M847	
Document Number:	REV:
Date: 1/18/2022 5:00:58 AM	Sheet: 1/3





TITLE: M847	
Document Number:	REV:
Date: 1/18/2022 5:00:58 AM	Sheet: 3/3