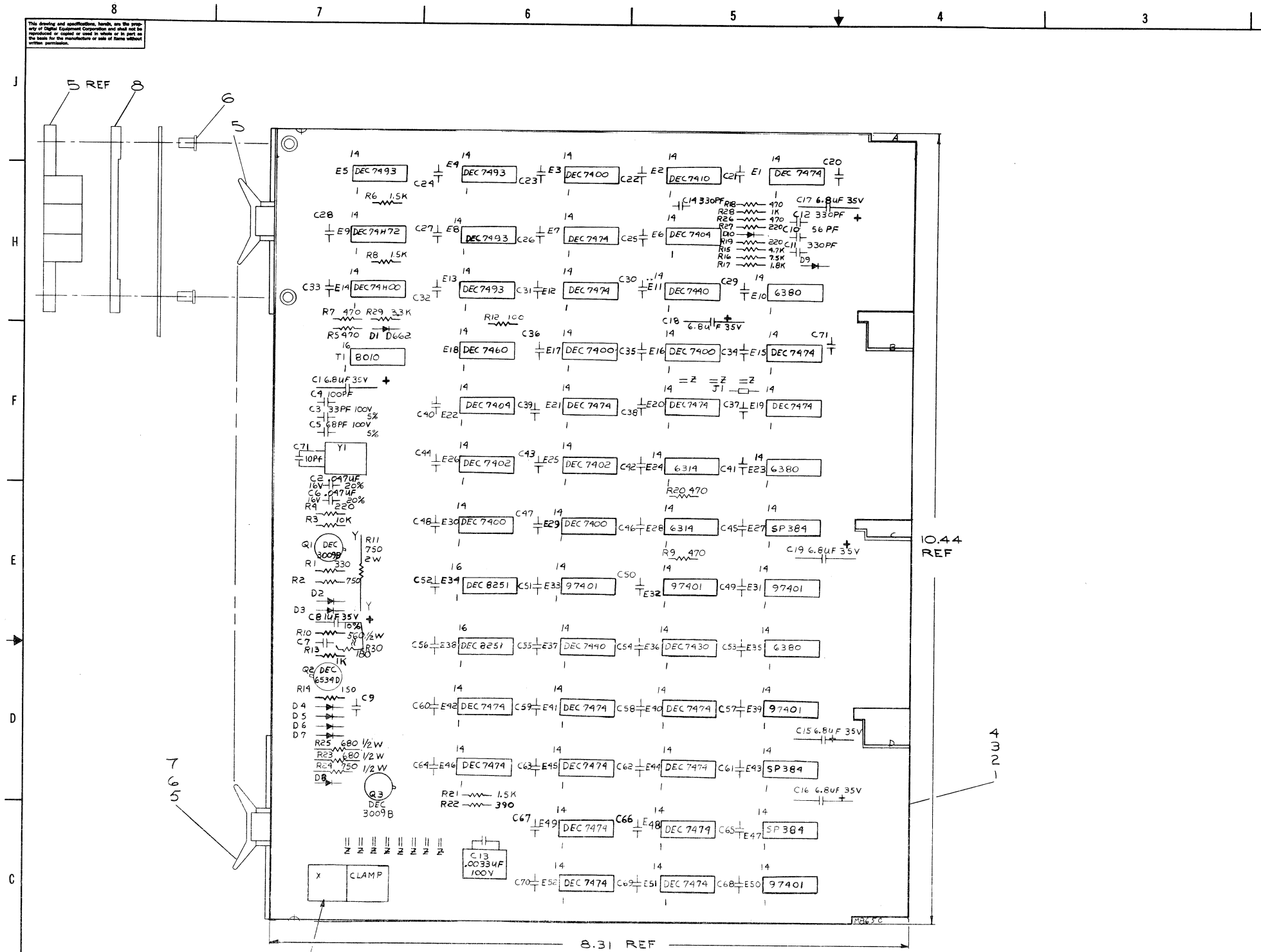


This drawing and specifications, herein, are the property of Digital Equipment Corporation and shall not be reproduced or copied in whole or in part for the manufacture of parts or for the sale of them without written permission.



NOTES:
 1. WAVEFORM AT TEST POINT *G FOR TRANSMISSION OF 'A' (ASCII 30H)
 START [0 1 0 0 0 0 1] STOP STOP
 2. MB65 USES DEC #18-09880-01 CRYSTAL 14.418 MHZ FOR KL8/E OPTION (110 BAUD)

QTY.	REF DESIGNATION	DESCRIPTION	PART NO.	ITEM NO.
1	C71	CAP 10PF 100V 5% DM	10-000061	61
1	R10	RES 560 1/2W 5%	1300338	60
1	R30	RES 180 1/4W 5%	1301322	59
AN		WIRE #22 AWG, SOLID	910725600	58
5	E31, E33, E34, E50	I.C. DEC 97401	909973	57
2	E24, E28	I.C. DEC 6314	1909972	56
3	E10, E23, E35	I.C. DEC 6380	1909971	55
2	E6, E22	I.C. DEC 7404	1909968	54
2	E34, E38	I.C. DEC 6251	1909959	53
3	E27, E43, E47	I.C. DEC 74H72	9102850	52
1	E9	I.C. DEC 74H72	9102850	51
1	E14	I.C. DEC 74H00	909056000	50
4	E4, E5, E8, E13	I.C. DEC 7493	190954004	49
2	E25, E26	I.C. DEC 7402	190900448	48
1	E18	I.C. DEC 7460	1905581	47
2	E11, E37	I.C. DEC 7440	1905579	46
1	E36	I.C. DEC 7430	1905578	45
1	E8	I.C. DEC 7410	1905576	44
5	E3, E16, E17, E29, E30	I.C. DEC 7400	1905575	43
17	E21, E40, E42, E44, E46, E48, E49, E51, E52	I.C. DEC 7474	1905547	42
1	Y1	CRYSTAL 14.418 MHZ	1809880-0141	41
1	Q2	TRANSFORMER B010	16099651	40
2	Q1, Q3	TRANSISTOR DEC 6534D	503409	39
2	Q4, Q5	TRANSISTOR DEC 3009B	503100	38
1	R2	RES 750 1/4W 5%	1301401	37
1	R11	RES 750 2W 5%	1301984	36
1	R16	RES 75K 1/4W 5%	1301422	35
1	R15	RES 4.7K 1/4W 5%	1300447	34
1	R29	RES 3.3K 1/4W 5%	1300439	33
1	R3	RES 10K 1/4W 5%	1300479	32
1	R17	RES 1.8K 1/4W 5%	1300398	31
3	R6, R8, R21	RES 1.5K 1/4W 5%	1300331	30
2	R13, R28	RES 1K 1/4W 5%	1300359	29
1	R24	RES 750 1/2W 5%	1300354	28
2	R23, R25	RES 680 1/2W 5%	1300347	27
6	R5, R7, R9, R18, R20, R22	RES 470 1/4W 5%	1300316	26
1	R22	RES 390 1/4W 5%	1300309	25
3	R4, R19, R27	RES 330 1/4W 5%	1300295	24
3	R14	RES 280 1/4W 5%	1300271	23
1	R12	RES 150 1/4W 5%	1300250	22
1	R12	RES 100 1/4W 5%	1300229	21
9	D2-D10	DIODE D664	1100114	20
1	D1	DIODE D662	1100113	19
2	C2, C6	CAP 0.47UF 16V 20% DISC	1009678	18
1	C8	CAP 1UF 35V 10% STANT	1001776	17
54	C7, C9, C20-C70	CAP 0.1UF 100V 20% DISC	1001610	16
2	C13, C15-C19	CAP 28 UF 35V 20% STANT	1000067	15
1	C18	CAP 3300PF 100V 5% DM	1000057	14
3	C11, C12, C14	CAP 330PF 100V 5% DM	1000023	13
1	C4	CAP 100PF 100V 5% DM	1000016	12
1	C5	CAP 68PF 100V 5% DM	1000014	11
1	C10	CAP 56PF 100V 5% DM	1000012	10
1	C3	CAP 33PF 100V 5% DM	1000009	9
1	Y1	SPLIT LUG	9002704	8
1	Y2	EYELET 654-11 STIMPSON	9002735	7
3	Y3	HANDLE FLIP CHIP - MAGENTA	9008337-06	6
4	Y4	ETCHED CIRCUIT BOARD	5008891	4
1	REF	MODULE HISTORY LIST	B-MH-MB65-2	3
1	REF	ASSY/DRILLING HOLE LAYOUT	D-AH-MB65-2	2
1	REF	XY COORDINATE HOLE LOC	K-COMB65-04	1

THIS CABLE CLAMP & MOUNTING HARDWARE SUPPLIED WITH CABLE (D-1A-7007055-0-0)

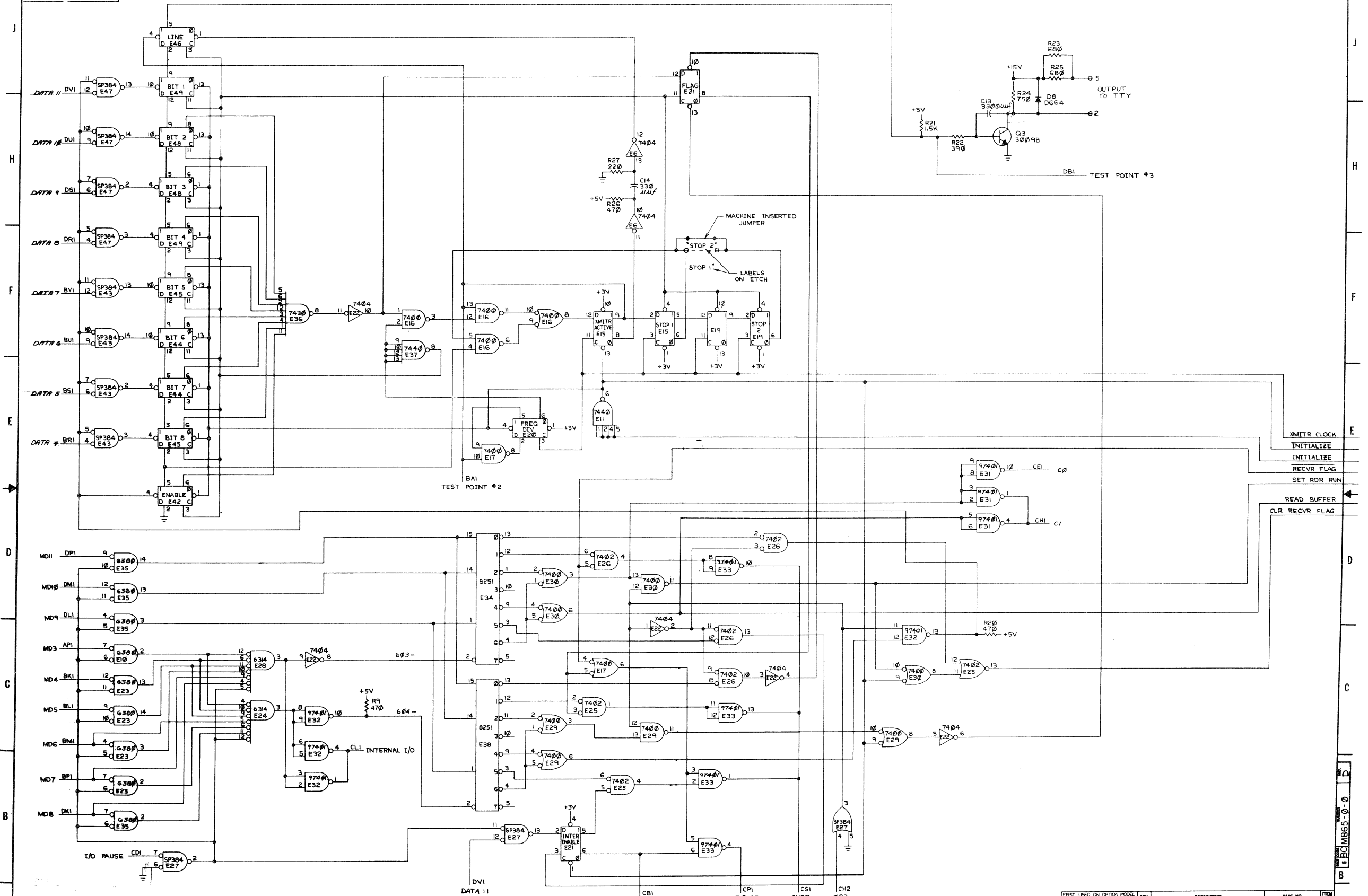
ITEM NO.	QTY	AWG	FROM	TO	PT
58	22	A	B		
59	1	B			
60	1	B			
61	8	16			
62	1	8			
63	10	5			
64	1	5			
65	1	5			

REV	REV COLUMN	DATE	BY
1			
2			
3			
4			
5			
6			
7			
8			
9			
10			
11			
12			
13			
14			
15			
16			
17			
18			
19			
20			
21			
22			
23			
24			
25			
26			
27			
28			
29			
30			
31			
32			
33			
34			
35			
36			
37			
38			
39			
40			
41			
42			
43			
44			
45			
46			
47			
48			
49			
50			

DEC NO. EIA NO. A-ML-KLS-E-0
 SEMICONDUCTOR CONVERSION CHART
 SCALE 1 OF 3
 SHEET 1

CONSOLE TTY CONT (KL8E)

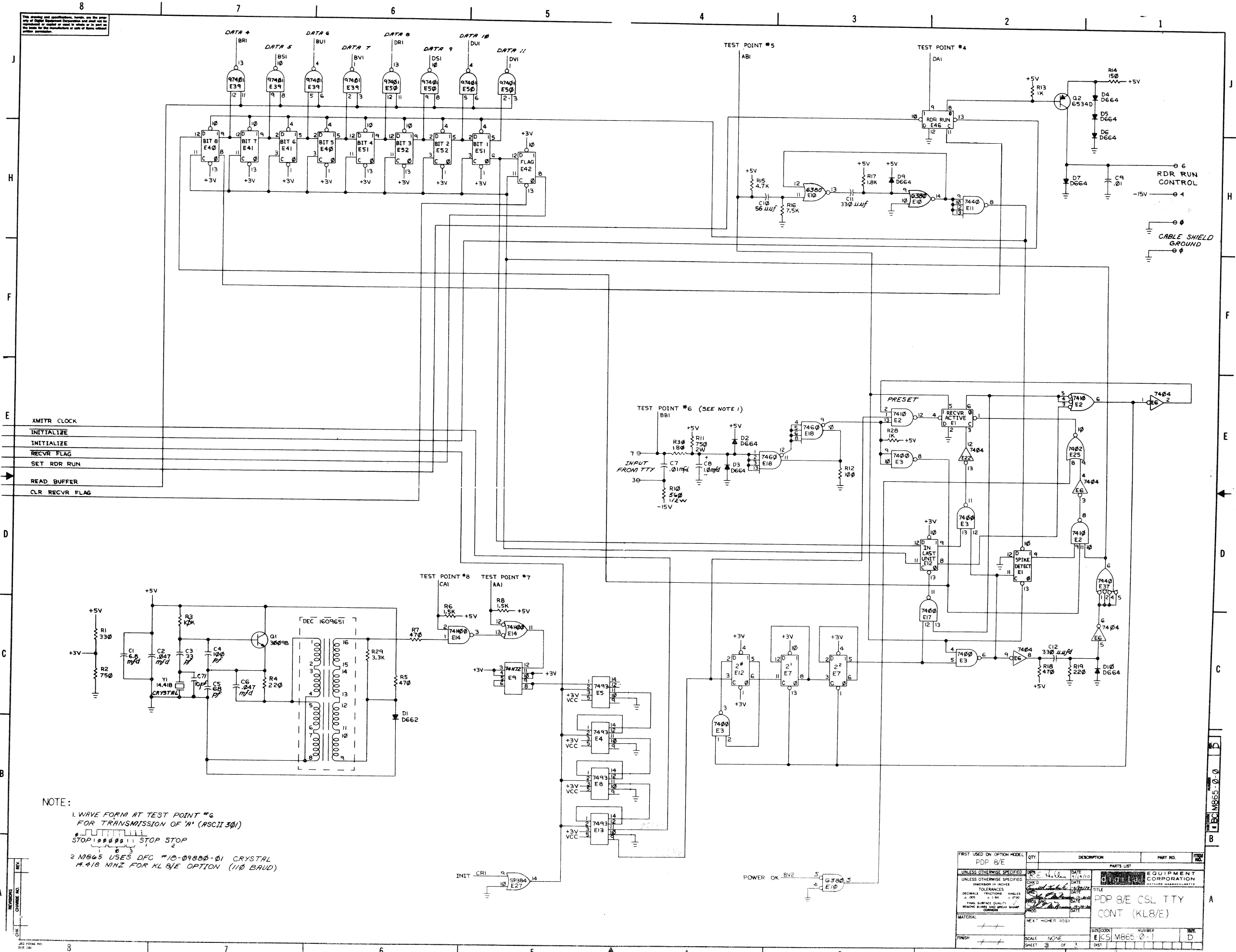
Use drawing and specifications, parts, and drawings of Digital Equipment Corporation and shall not be reproduced or copied or used in whole or in part for any other purpose without the express written permission.

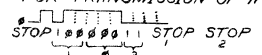


REV	DATE	BY	CHKD
1	11/23/70	J. MANAMARA	
2			
3			
4			
5			
6			
7			
8			

FIRST USED ON DITON MODEL	QTY.	DESCRIPTION	PART NO.	ITEM
PDP 8/E				
UNLESS OTHERWISE SPECIFIED:				
CONTOUR	DATE	DIGITAL EQUIPMENT CORPORATION		
TOLERANCES	DATE	CORPORATION		
DECIMALS FRACTIONS	DATE	TITLE		
±.008 ±.004 ±.010	DATE	PDP 8/E CSL TTY		
FINAL SURFACE QUALITY	DATE	CONT (KL8/E)		
REMOVE BURRS AND BRASS SWAMP	DATE			
MATERIAL	NEXT HIGHER ASSY			
FINISH	SCALE			
	SHEET			

This drawing and specifications, herein, are the property of Digital Equipment Corporation and shall not be reproduced or copied in whole or in part without the written consent of Digital Equipment Corporation.



NOTE:
 1. WAVE FORM AT TEST POINT #6 FOR TRANSMISSION OF 'M' (ASCII 30H)
 STOP: 
 2. M865 USES DFC #10-09880-01 CRYSTAL 1.418 MHZ FOR KL8/E OPTION (110 BRUD)

REV	DATE	DESCRIPTION	BY	CHKD
1	12/14/70	PDP 8/E
2	1/14/71
3

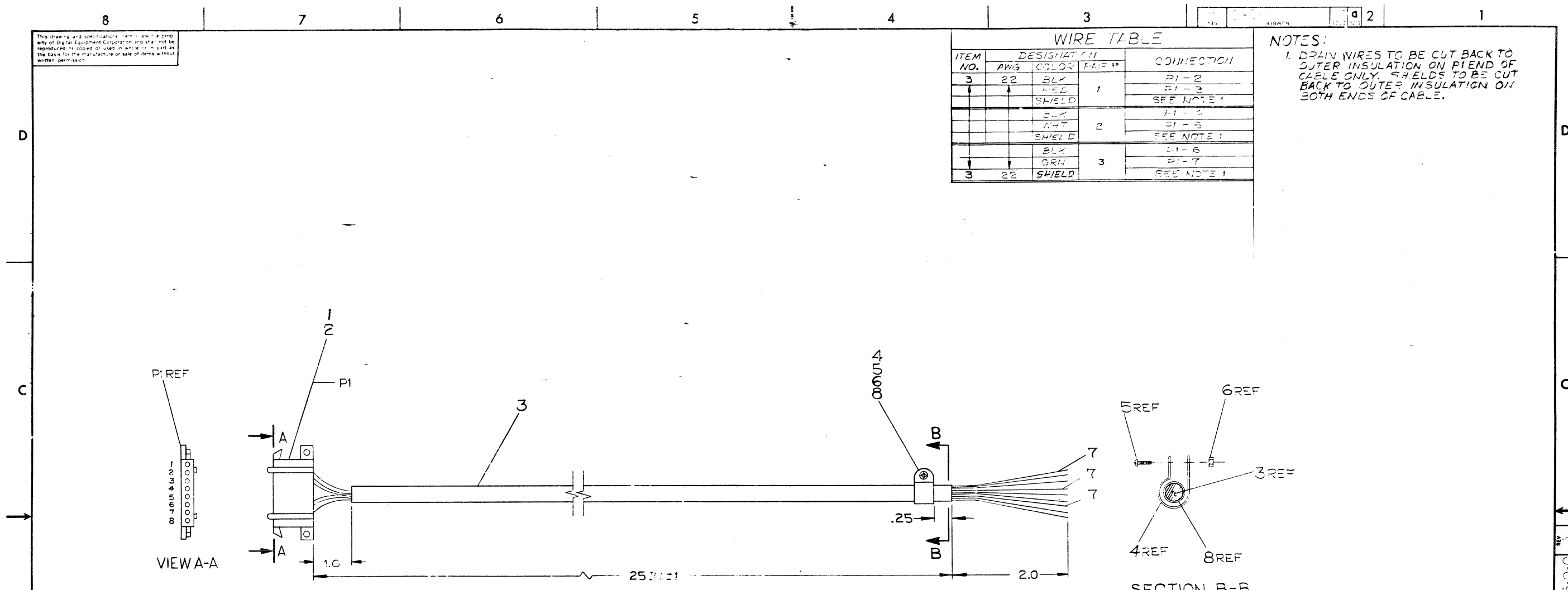
UNLESS OTHERWISE SPECIFIED:	DATE	DESCRIPTION	PART NO.	QTY
TOLERANCES
DECIMALS
FRACTIONS
ANGLES
FINISH
MATERIAL
FINISH

UNLESS OTHERWISE SPECIFIED:	DATE	DESCRIPTION	PART NO.	QTY
TOLERANCES
DECIMALS
FRACTIONS
ANGLES
FINISH
MATERIAL
FINISH

This drawing and specifications are the property of Digital Equipment Corporation and shall not be reproduced, copied or used in whole or in part as the basis for the manufacture or sale of items without written permission.

WIRE TABLE			
ITEM NO.	DESIGNATION		CONNECTION
	AWG	COLOR	
3	22	BLK	D1-2
		RED	D1-3
		SHIELD	SEE NOTE 1
		BLK	F1-2
		WHT	D1-5
		SHIELD	SEE NOTE 1
		BLK	D1-6
		GRN	D1-7
3	22	SHIELD	SEE NOTE 1

NOTES:
 1. DRAIN WIRES TO BE CUT BACK TO OUTER INSULATION ON END OF CABLE ONLY. SHIELDS TO BE CUT BACK TO OUTER INSULATION ON BOTH ENDS OF CABLE.



REV	CHANGE NO.	DATE
1	KLSE-0001	A
2	KLSE-0002	B

DRAWN BY: [Signature]
 CHECKED BY: [Signature]
 MC NAMARA
 DEC 1970

FIRST USED ON OPTION/MODEL
 PDP 3E

DO NOT SCALE DRAWING		DRN.	DATE
UNLESS OTHERWISE SPECIFIED DIMENSION IN INCHES		CHK'D.	DATE
TOLERANCES		ENG.	DATE
DECIMALS	FRACTIONS	PROJ. ENG.	DATE
± .005	± 1/64	PROD.	DATE
FINAL SURFACE QUALITY		NEXT HIGHER ASSY	
REMOVE BURRS AND BREAK SHARP CORNERS		V.565	
MATERIAL		SCALE	
SEE PARTS LIST		SHEET OF	
FINISH		DIST.	

QTY.	DESCRIPTION	PART NO.	ITEM NO.
A/R	DOUBLE SIDE TAPE #4032 1/2"	9007034	8
A/R	#18 TEFLON THIN WALL TUBING NAT.	9107278-11	7
1	NUT, WPS #6-32 SST	9006560	6
1	SCR. PHL HD PAN #6-32 X .33 SST	9006022-1	5
1	CLAMP CABLE .31 NYLON	9007082	4
A/R	BELDEN 8777 3PR SHLD C-BLE	9107723-0	3
6	CONTACTS FEMALE MATE-N-LOCK	1209379	2
1	CONN FEMALE MATE N-LOCK	1209340-00	1

PARTS LIST
Digital Equipment Corporation
 WATERTOWN MASSACHUSETTS
 TITLE: CABLE ASSEMBLY
 KLSE
 SIZE CODE: DIA
 NUMBER: 7007055-0-0
 REV. A