

NOTES:

- UNLESS OTHERWISE NOTED: CAPACITORS ARE .01, .F, 100V, 20% TRANSISTORS ARE DEC 3009B
- HO GROUND IS INDICATED BY: ∇ LOGIC GROUND IS INDICATED BY: \square
- DIODES MARKED INST11 MAY BE HP 5082-2800

QTY.	REF DESIGNATION	DESCRIPTION	PART NO.	QTY.
2	J1	SPACER (CABLE CLAMP)	1208704	75
1	U1	CONNECTOR BERG	1209941	74
9		SPLIT LOG	902735	73
AR	R28, R16	WIRE, BUSSING, #22 AWG	310756-01	72
2	R34, R121	POT 500K 1/2W 20% 62PR	1309150-05	70
2	R44, R133	POT 20K 1/2W 20% 62PR	1309150-02	69
2	R50, R51	POT 2K 3/4W 10% 76PR	1309150-08	68
2	R66, R89	POT 500K 3/4W 10% 76PR	1309150-04	67
19	R41, R42, R142, R143, R44, R45, R46, R47, R48, R49	POT 500K 1/2W 20% 62PR	1309150-11	66
1	R74	RES 390K 1/4W 5%	1300309	65
1	R75	RES 470A	1300316	64
8	R40, R74, R88, R89, R90, R91, R92	RES 18K	1302124	63
1	R58	RES 1.2K	1303120	62
2	R72, R142	PES 10K	1300479	61
4	R66, R75, R136, R145	RES 4.7K	1300447	60
7	R53, R67	RES 3.3K	1300444	59
7	R174, R175, R176, R177, R178, R179	RES 2.2K	1300417	58
3	R73, R143, R65	RES 4.7K	1300202	57
4	R2, R3, R5, R6	RES 2.7K	1300426	56
3	R1A, R7	RES 1K	1300365	55
1	R50	RES 6.8K	1301423	54
1	R60	RES 100A	1300242	53
24	R8, R9, R10, R11, R12, R13, R14, R15, R16, R17, R18, R19, R20, R21, R22, R23, R24, R25, R26, R27, R28, R29, R30, R31, R32, R33, R34, R35, R36, R37, R38, R39, R40, R41, R42, R43, R44, R45, R46, R47, R48, R49, R50, R51, R52, R53, R54, R55, R56, R57, R58, R59, R60, R61, R62, R63, R64, R65, R66, R67, R68, R69, R70, R71, R72, R73, R74, R75, R76, R77, R78, R79, R80, R81, R82, R83, R84, R85, R86, R87, R88, R89, R90, R91, R92, R93, R94, R95, R96, R97, R98, R99, R100	RES 3.3K 1/4W 5%	1300439	52
1	R52, R112	RES 3.16K 1/8W 1% MF	1303045	51
2	R37, R124	RES 3.33K	1309413	49
2	R84, R149	RES 866K	1309293	48
2	R17, R104	RES 25.5K	1303517	47
2	R20, R107	RES 128K	1305516	46
2	R23, R110	RES 6.4K	1305515	45
2	R26, R113	RES 32K	1305514	44
2	R47, R134	RES 200K	1305336	43
4	R14, R12, R38, R39	RES 511K	1305323	42
2	R19, R106	RES 101K	1305295	41
2	R22, R109	RES 6.81K	1305252	40
4	R48, R45, R92, R135	RES 1K	1304985	39
2	R16, R103	RES 243K	1304984	38
4	R41, R81, R93, R128	RES 1.96K	1304833	37
4	R30, R15, R17, R18, R22	RES 7.95K	1303206	36
4	R45, R132, R141, R71	RES 1K	1303114	35
2	R83, R148	RES 135K	1303038	34
2	R28, R115	RES 14.7K	1302941	33
2	R39, R126	RES 3.987K	1302678	32
2	R43, R130	RES 1.92K	1302677	31
4	R35, R94, R94A, R120	RES 8.25K 1/8W 1% MF	1302420	30
32	D1, D2, D3, D4, D5, D6, D7, D8, D9, D10, D11, D12, D13, D14, D15, D16, D17, D18, D19, D20, D21, D22, D23, D24, D25, D26, D27, D28, D29, D30, D31, D32, D33, D34, D35, D36, D37, D38, D39, D40, D41, D42, D43, D44, D45, D46, D47, D48, D49, D50, D51, D52, D53, D54, D55, D56, D57, D58, D59, D60, D61, D62, D63, D64, D65, D66, D67, D68, D69, D70, D71, D72, D73, D74, D75, D76, D77, D78, D79, D80, D81, D82, D83, D84, D85, D86, D87, D88, D89, D90, D91, D92, D93, D94, D95, D96, D97, D98, D99, D100	DIODE 6A4	1100114	29
3	D23, D27, D38	DIODE 1N825	1100385	27
6	D24, D29, D34, D37	DIODE 1N752A	1102809	26
8	D20, D21, D22, D25, D26, D28, D31, D32, D33, D34, D35, D36, D37, D38, D39, D40, D41, D42, D43, D44, D45, D46, D47, D48, D49, D50, D51, D52, D53, D54, D55, D56, D57, D58, D59, D60, D61, D62, D63, D64, D65, D66, D67, D68, D69, D70, D71, D72, D73, D74, D75, D76, D77, D78, D79, D80, D81, D82, D83, D84, D85, D86, D87, D88, D89, D90, D91, D92, D93, D94, D95, D96, D97, D98, D99, D100	DIODE 1N752A	1103041	25
8	D10, D11, D12, D13, D14, D15, D16, D17, D18, D19, D20, D21, D22, D23, D24, D25, D26, D27, D28, D29, D30, D31, D32, D33, D34, D35, D36, D37, D38, D39, D40, D41, D42, D43, D44, D45, D46, D47, D48, D49, D50, D51, D52, D53, D54, D55, D56, D57, D58, D59, D60, D61, D62, D63, D64, D65, D66, D67, D68, D69, D70, D71, D72, D73, D74, D75, D76, D77, D78, D79, D80, D81, D82, D83, D84, D85, D86, D87, D88, D89, D90, D91, D92, D93, D94, D95, D96, D97, D98, D99, D100	DIODE 1N5711	1100609	24
1	C22	CAP 100P 100V 5% DM	1000006	23
2	C34, C41	CAP 47PF 100V 5% DM	1000001	22
12	C14, C19, C21, C22, C23, C30, C38, C40	CAP 6.8T 35V 20% TANT	1000067	21
15	C1, C3, C23, C24	CAP 0.1M 100V 20% DISC	1000160	20
4	C28, C31, C39	CAP 1M 35V 10% TANT	1000169	19
2	C28, C36	CAP 3300PF 100V 10%	1005116	18
2	C33, C43	CAP 100PF 100V 5% DM	1000016	17
4	D15, D19, D29	TRANS DEC 219	1501181	16
21	Q1, Q10, Q13, Q19, Q28	TRANS DEC 3009B	1503100	15
4	Q1, Q14, Q16, Q30	TRANS DEC 4534D	1503409	14
1	Q12	TRANS 244313	1501713	13
2	E15, E15	I.C. LM302	1502343	12
2	E10, E12	I.C. DEC 7404	1302686	11
2	E16, E17	I.C. MC1439	1300761	10
3	E7, E11, E13	I.C. DEC 8235	1509335	9
2	E12, E13	I.C. DEC 6380	1509971	8
6	E12, E14, E15, E17, E18	I.C. DEC 74193	1510018	7
4		EYELET G54-11 STIMPSON	9006750	6
REF		HANDLE FLIP CH P HAQENTA	5003317-06	5
REF		ETCHED CIRCUIT BOARD	5009625	4
REF		MODULE HISTORY DWG	8-MH-M885-B-3	3
REF		ISSY/DRILLING HOLE LAYOUT	8-MH-M885-B-4	2
REF		X-Y COORDINATE HOLE LOC	K-C2-M885-B-4	1

DATE	BY	CHKD	REV	DESCRIPTION
DEC 63	B0	B	1	W4-A W4-B
DEC 74	19	B	16	W3-A W3-B
DEC 74	19	B	16	W2-A W2-B
DEC 74	19	B	16	W1-A W1-B

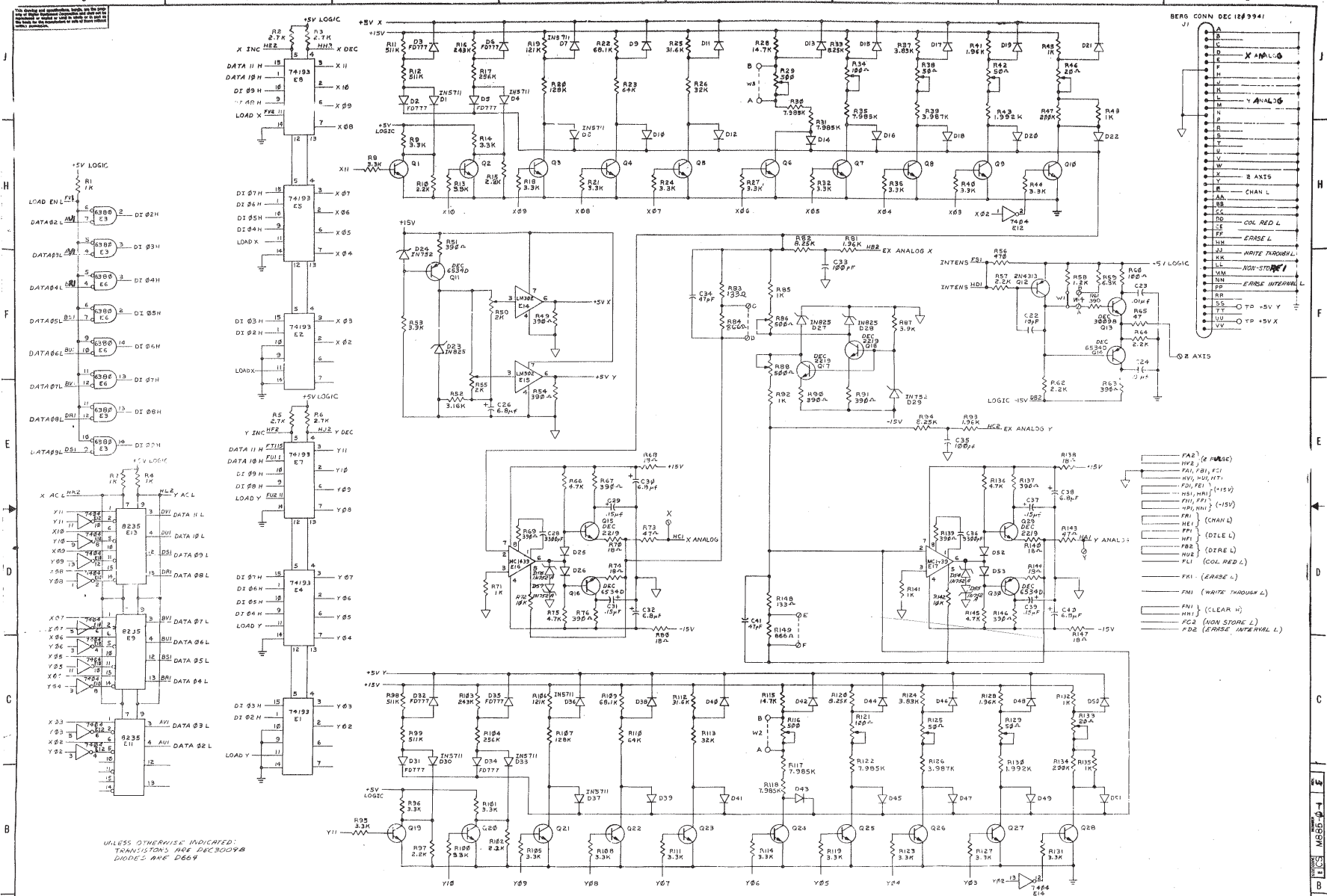
K TYPE GND +5V 76 22 W1-A W1-B
 68 22 W2-A W2-B
 15 10 W3-A W3-B
 22 10 W4-A W4-B

K PCB LOCATIONS
 1 2 3 4 5 6 7 8

QTY.	REF	DESCRIPTION	QTY.	REF	DESCRIPTION
1	2N4313	INST11	1	2N4313	INST11
1	2N4313	INST11	1	2N4313	INST11
1	MPS6534	MPS6534	1	MPS6534	MPS6534
1	2N3009B	2N3009B	1	2N3009B	2N3009B
1	2N2219	2N2219	1	2N2219	2N2219
1	INT52A	INT52A	1	INT52A	INT52A
1	D664	IN3606	1	IN3606	IN3606
1	INB25	SAME	1	SAME	SAME
1	E1A	E1A	1	E1A	E1A
1	E1B	E1B	1	E1B	E1B
1	E1C	E1C	1	E1C	E1C
1	E1D	E1D	1	E1D	E1D
1	E1E	E1E	1	E1E	E1E
1	E1F	E1F	1	E1F	E1F
1	E1G	E1G	1	E1G	E1G
1	E1H	E1H	1	E1H	E1H
1	E1I	E1I	1	E1I	E1I
1	E1J	E1J	1	E1J	E1J

SEMICONDUCTOR CONVERSION CHART
 E1A E1B E1C E1D E1E E1F E1G E1H E1I E1J

POINT PLOT D/A
 SECT 2 CONT
 ECSI M885-01



UNLESS OTHERWISE INDICATED, TRANSDUCERS ARE REC-3000A TYPES AND DEC

DATE	REV	DESCRIPTION	PART NO.	ITEM NO.
10/2/58	1	LAB B/E		
10/2/58	2	REVISION		
10/2/58	3	REVISION		
10/2/58	4	REVISION		
10/2/58	5	REVISION		
10/2/58	6	REVISION		
10/2/58	7	REVISION		
10/2/58	8	REVISION		
10/2/58	9	REVISION		
10/2/58	10	REVISION		
10/2/58	11	REVISION		
10/2/58	12	REVISION		
10/2/58	13	REVISION		
10/2/58	14	REVISION		
10/2/58	15	REVISION		
10/2/58	16	REVISION		
10/2/58	17	REVISION		
10/2/58	18	REVISION		
10/2/58	19	REVISION		
10/2/58	20	REVISION		
10/2/58	21	REVISION		
10/2/58	22	REVISION		
10/2/58	23	REVISION		
10/2/58	24	REVISION		
10/2/58	25	REVISION		
10/2/58	26	REVISION		
10/2/58	27	REVISION		
10/2/58	28	REVISION		
10/2/58	29	REVISION		
10/2/58	30	REVISION		
10/2/58	31	REVISION		
10/2/58	32	REVISION		
10/2/58	33	REVISION		
10/2/58	34	REVISION		
10/2/58	35	REVISION		
10/2/58	36	REVISION		
10/2/58	37	REVISION		
10/2/58	38	REVISION		
10/2/58	39	REVISION		
10/2/58	40	REVISION		
10/2/58	41	REVISION		
10/2/58	42	REVISION		
10/2/58	43	REVISION		
10/2/58	44	REVISION		
10/2/58	45	REVISION		
10/2/58	46	REVISION		
10/2/58	47	REVISION		
10/2/58	48	REVISION		
10/2/58	49	REVISION		
10/2/58	50	REVISION		
10/2/58	51	REVISION		
10/2/58	52	REVISION		
10/2/58	53	REVISION		
10/2/58	54	REVISION		
10/2/58	55	REVISION		
10/2/58	56	REVISION		
10/2/58	57	REVISION		
10/2/58	58	REVISION		
10/2/58	59	REVISION		
10/2/58	60	REVISION		
10/2/58	61	REVISION		
10/2/58	62	REVISION		
10/2/58	63	REVISION		
10/2/58	64	REVISION		
10/2/58	65	REVISION		
10/2/58	66	REVISION		
10/2/58	67	REVISION		
10/2/58	68	REVISION		
10/2/58	69	REVISION		
10/2/58	70	REVISION		
10/2/58	71	REVISION		
10/2/58	72	REVISION		
10/2/58	73	REVISION		
10/2/58	74	REVISION		
10/2/58	75	REVISION		
10/2/58	76	REVISION		
10/2/58	77	REVISION		
10/2/58	78	REVISION		
10/2/58	79	REVISION		
10/2/58	80	REVISION		
10/2/58	81	REVISION		
10/2/58	82	REVISION		
10/2/58	83	REVISION		
10/2/58	84	REVISION		
10/2/58	85	REVISION		
10/2/58	86	REVISION		
10/2/58	87	REVISION		
10/2/58	88	REVISION		
10/2/58	89	REVISION		
10/2/58	90	REVISION		
10/2/58	91	REVISION		
10/2/58	92	REVISION		
10/2/58	93	REVISION		
10/2/58	94	REVISION		
10/2/58	95	REVISION		
10/2/58	96	REVISION		
10/2/58	97	REVISION		
10/2/58	98	REVISION		
10/2/58	99	REVISION		
10/2/58	100	REVISION		