

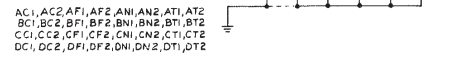
- NOTES:
1. JUMPER W2 IS OPTIONAL AND USED ONLY WHEN W1 IS REMOVED.
 2. UNLESS OTHERWISE NOTED: CAPACITORS ARE .01UF, 100V, 20%. W1 DECODES 10T 05, W2 DECODES 10T 15.

DATE	BY	REV	DESCRIPTION
DEC 74.23	B,3	6	
DEC 314	1	5	
DEC 3251	8	16	
DEC 350	1	8	33 22 W2-A W2-B (SEE NOTE 1)
IC TYPE	QND	Q-5V	33 22 W1-A W1-B

QND AND QV ARE USUALLY PIN 1 AND 14 RESPECTIVELY. EXCEPTIONS ARE STATED ABOVE.

IC PIN LOCATIONS

ITEM NO	ANG	FROM PT	TO PT
JUMPER LIST			



REF	DESCRIPTION	QTY	DESCRIPTION	PART NO.	QTY
1	C39	1	CAPACITOR .01UF 100V 10% WY	1005784	49
2	C36, C37	2	CAPACITOR .220UF 100V 20% WY	1000021	49
1	C34	1	CAPACITOR .051UF 100V 10% WY	1000050	47
1	C34	1	CAPACITOR .022UF 100V 10% WY	1002373	46
1	C35	1	CAPACITOR .22UF 100V 10% WY	1000037	45
1	R1B	1	RESISTOR 35.2K 1/8W 1%	1305205	44
1	R20	1	RESISTOR 31.6K 1/8W 1%	1303416	43
1	R19	1	RESISTOR 24.5K 1/8W 1%	1303418	42
1	R10	1	RESISTOR 35.2K 1/8W 1%	1305420	41
1	R8	1	RESISTOR 19.6K 1/8W 1%	1303419	40
1	R7	1	RESISTOR 12.1K 1/8W 1%	1303313	39
2	R4, R7	2	RESISTOR 10K 1/4W 5%	1300479	38
1	R9	1	IC DEC 74125	1304470	37
4	R14, R15, R16, R22	4	RESISTOR 1K 1/4W 5%	1300368	36
1	E10	1	IC DEC 7406	1910741	35
2	E1, E2	2	IC DEC 74125	1910742	34
AR	W1, E2	1	WIRE BUSSING #22 AWG	910756C-01	33
2		2	WASHER #6 #2162 SMITH	3006693	32
6		6	SPLIT LUG	3006735	31
2	D1, D2	2	DIODE D564	1101014	30
1	Q1	1	TRANSISTOR DEC 8009B	1303100	29
2	R1, R11	2	RESISTOR 15K 1/4W 5%	1302391	28
7	R2, R3, R5, R12, R13, R21	7	RESISTOR 470 1/4W 10%	1300317	27
1	C38	1	CAPACITOR 2.20UF 100V 50% DM	1001637	26
28	C1 THRU C28	28	CAPACITOR .01UF 100V 20% DISC	1001610	25
4	C29, C30, C31, C32	4	CAPACITOR 6.8UF 35V 20% TAN	1000067	24
1	C40	1	CAPACITOR 470PF 100V 5% DM	1002024	23
1	E28	1	IC DEC 7416	1903928	22
4	E7, E8, E16, E17	4	IC DEC 8881	1903702	21
1	E12	1	IC DEC 914	1903716	20
2	E14, E21	2	IC DEC 7404	1903686	19
1	E25	1	IC DEC 8231	1903594	18
4	E8, E11, E13, E24	4	IC DEC 380	1903413	17
2	E4, E5	2	IC DEC 9201	1803573	16
1	E29	1	IC DEC 74121	1903058	15
1	E8, E20	1	IC DEC 7402	1903004	14
3	E42, E26, E27	3	IC DEC 7400	1905575	13
4	E5, E6, E18, E19	4	IC DEC 7474	1905547	12
2	S1, S2	2	SWITCH MINI SLIDE ZA120VDC	1209338	11
1	B	1	PIN #6130-1 AMP	1209456	10
2		2	CONNECTOR BULK MATE-N-LOCK #940 (CABLE CLAMP)	1209340	9
1		1	EYELET #4-11 STIMPSON	3006745	7
2		2	EYELET 654-11 STIMPSON	3006750	6
1		1	HANDLE FLIP CHIP MASENZA	3005337-04	5
1		1	ETCHED CIRCUIT BOARD	8009383	4
REF			MODULE HISTORY DWG	8-MH-M869-9-4	3
REF			ASSY/DRILLING HOLE LAYOUT	D-MH-M869-9-5	2
REF			XY COORDINATE ROLE LOC	K60-M869-9-1	1

ETCH BOARD REV D

DATE: 12/23/74

BY: B.3

DESCRIPTION: POINT PLOT DSPL CONT (CONT)

EQUIPMENT CORPORATION

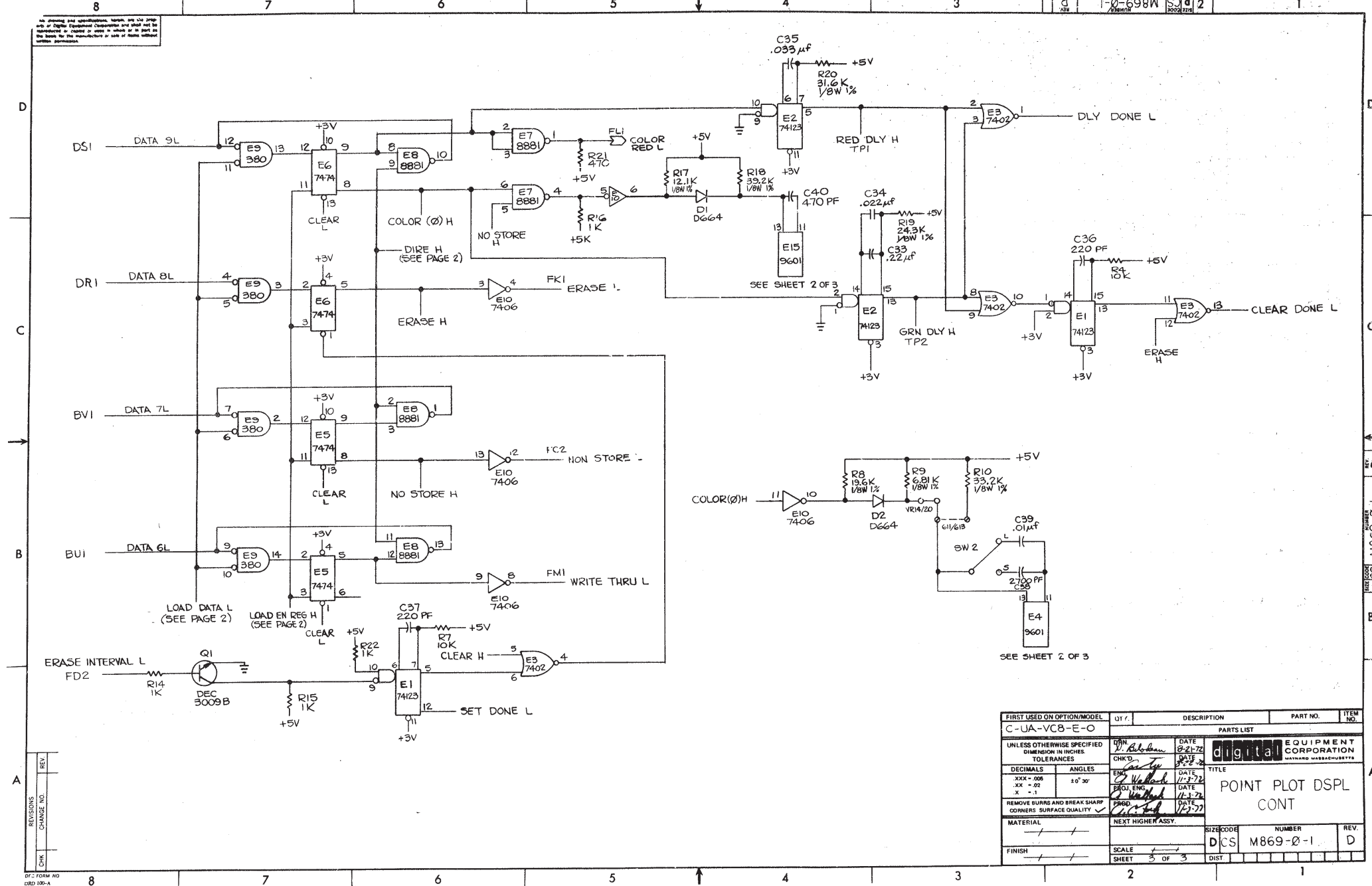
POINT PLOT DSPL CONT (CONT)

CIA-VCR-E-D

DEC NO. EIA NO. DEC NO. EIA NO.

SEMICONDUCTOR CONVERSION CHART

All drawings and specifications herein are the property of Digital Equipment Corporation and shall not be reproduced in whole or in part or be used in any way without the written permission of Digital Equipment Corporation.



FIRST USED ON OPTION/MODEL	QTY	DESCRIPTION	PART NO.	ITEM NO.
C-UA-VC8-E-O				
PARTS LIST				
UNLESS OTHERWISE SPECIFIED DIMENSION IN INCHES TOLERANCES				
DIM	DATE	PARTS LIST		
CHK'D	DATE	digital EQUIPMENT CORPORATION MILWAUKEE, WISCONSIN		
DECIMALS	ANGLES	TITLE		
XXX - .008	±0° 30'	POINT PLOT DSPL CONT		
.XX - .02		MATERIAL		
.X - .1		NEXT HIGHER ASSY.		
REMOVE BURRS AND BREAK SHARP CORNERS SURFACE QUALITY		FINISH		
		SCALE		
		SHEET 3 OF 3		
		SIZE CODE	NUMBER	REV.
		DCS	M869-0-1	D
		DIST		

REV. 1
CHANGE NO.
DATE

M869-0-1