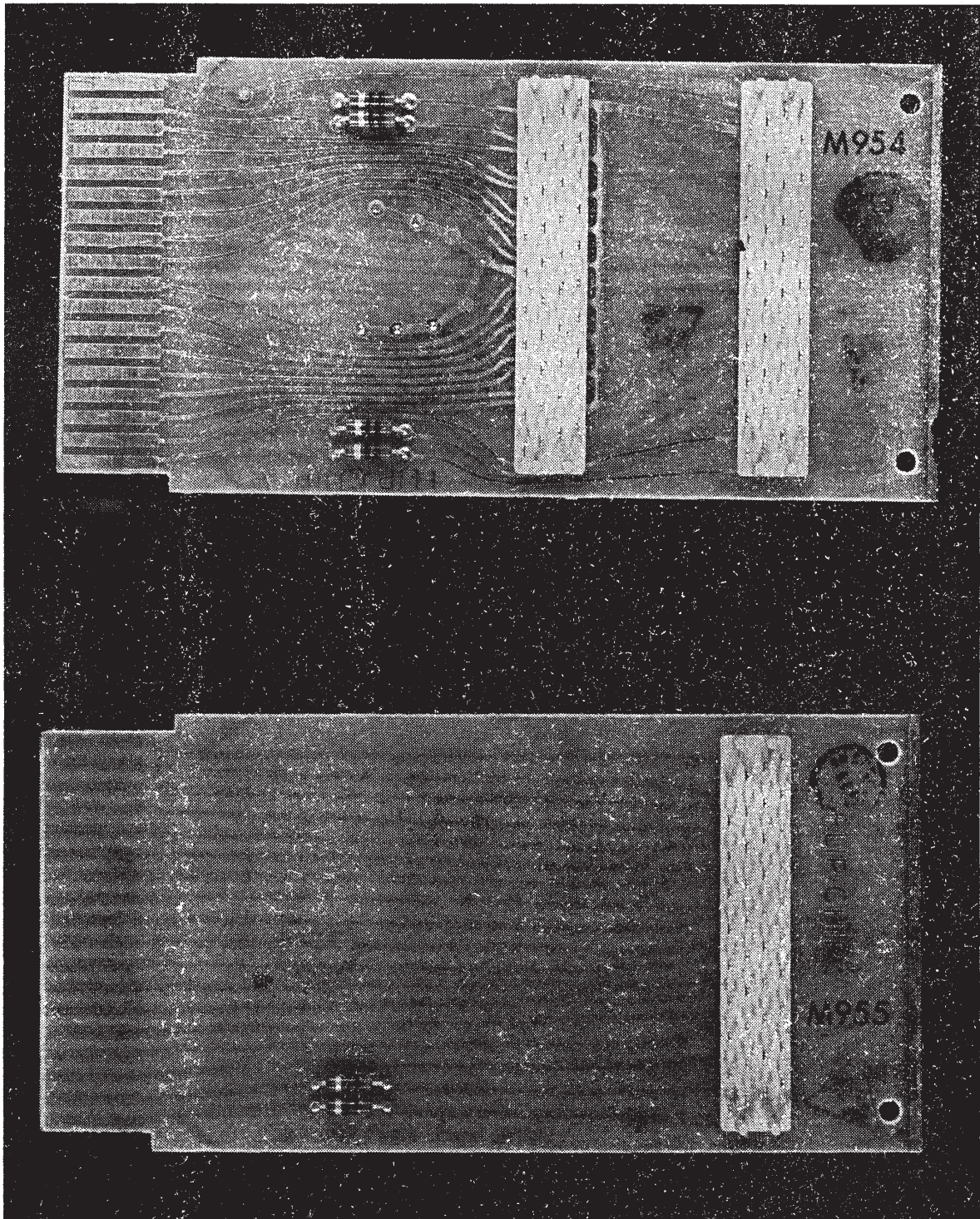


## FLAT CABLE CONNECTORS

## CABLE ACCESSORIES

A series of solderless cable connectors are provided for use with 40 conductor flat cable (DEC No. 91-07722). These connectors are used for general interface and with the PDP-8e.



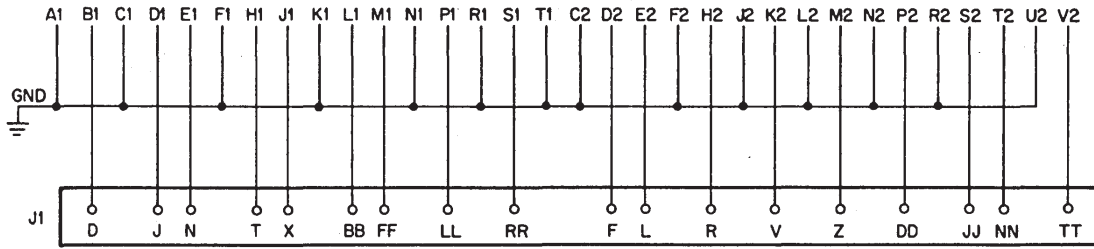
TYPICAL FLAT CABLE CONNECTORS

**FLAT CABLE CONNECTORS  
(40 CONDUCTOR)**

TYPE	NO. OF SIDES	NO. OF CABLES	PIN CONNECTIONS		BOARD SIZE & (TERM)	PRICE
			SIGNAL	GROUND		
H856	Not Applicable	1	40	None Assigned	Mates with H854 (Board Mounted Male)	8.00
M953	2	1	18	18 (Alternate)	Single Height/Single Length (Solderless Connect J1)	\$25.00
M954*	2	2	36	None Assigned	Single Height/Single Length (Solderless Connect J1 & J2)	27.00
M955	1	1	18	None Assigned	Single Height/Single Length (Solderless Connect J1)	27.00

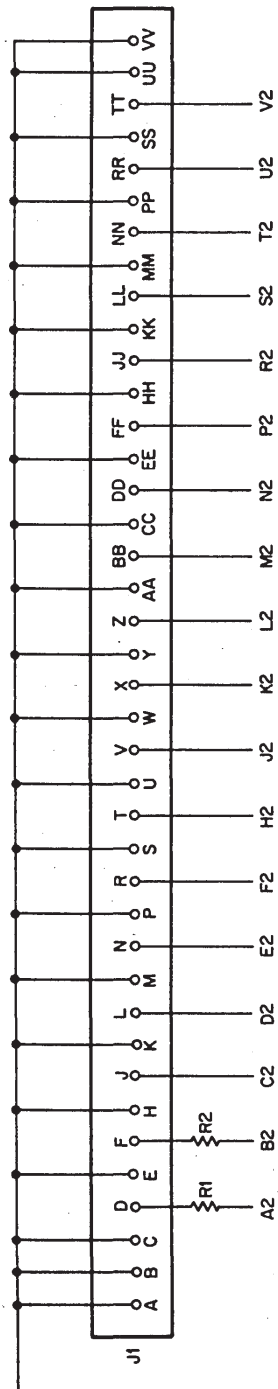
\* Jumpers or Resistors required

# FLAT CABLE CONNECTOR BOARD SCHEMATICS

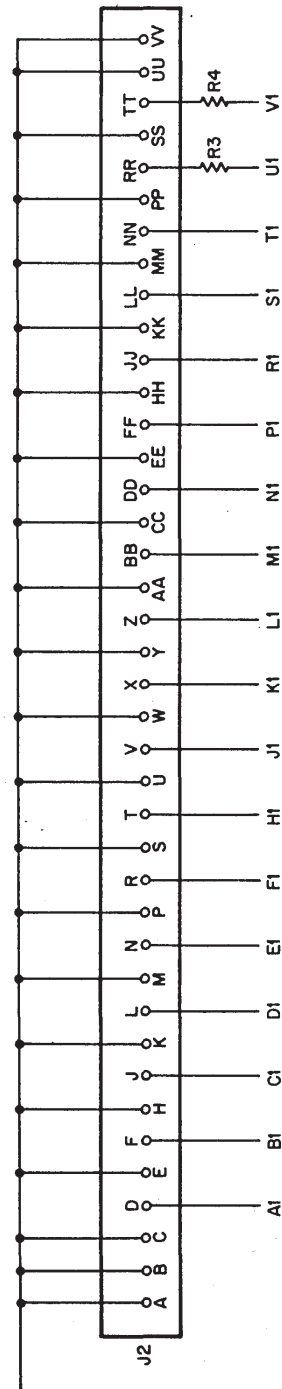


ALL OTHER PINS ON J1=GROUND

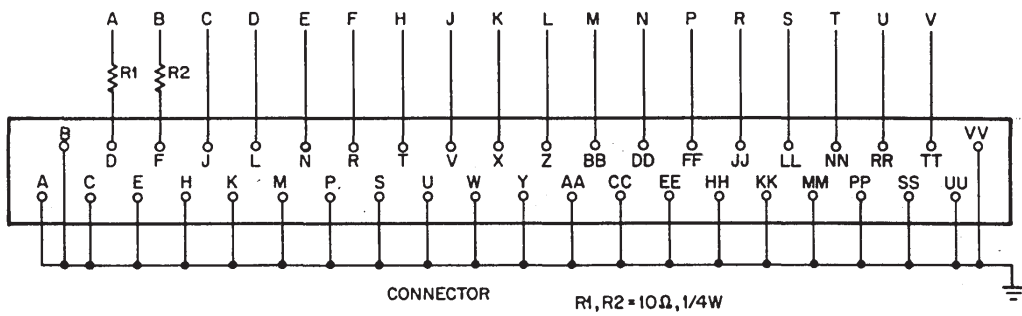
## M953



R1-R4=10Ω, 1/4W



## M954



M955