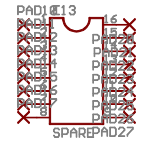
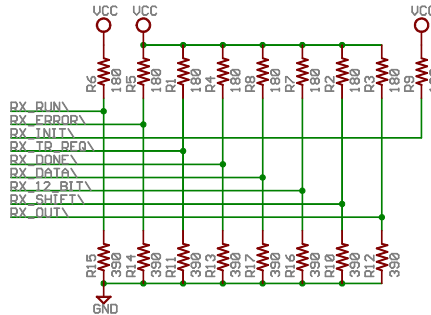
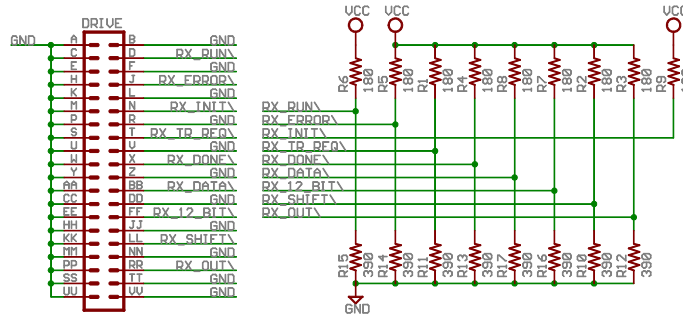
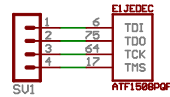
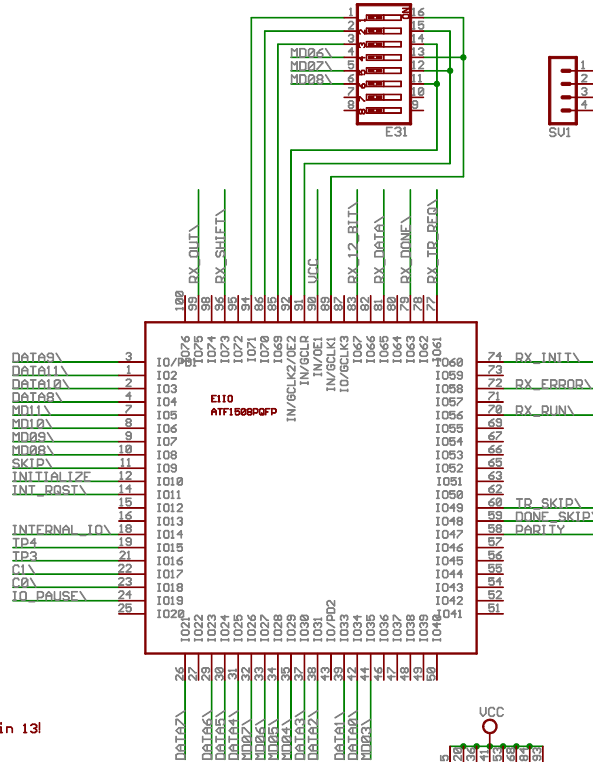


- DWI DATA1\
- DWI DATA0\
- DSI DATA9\
- DBI DATA8\
- DPI MD11\
- DMI MD10\
- DLI MD09\
- DK1 MD08\
- DBI TP_SKIP\
- CSI SKIP\
- CRI INITIALIZE
- CPI INT_RST\
- CLI INTERNAL_IO\
- CJ2 TP4
- CH2 TP3
- CHI C1\
- CE1 C0\
- CDI IO_PAUSE\
- CBI NONE_SKIP\
- BUI DATA7\
- BUI DATA6\
- BSI DATA5\
- BRI DATA4\
- BPI MD07\
- BMI MD06\
- BL1 MD05\
- BK1 MD04\
- AUI DATA3\
- AUJ DATA2\
- ASI DATA1\
- API DATA0\
- APJ MD03\
- ABI PARITY

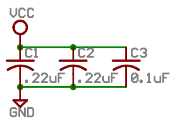


Omnibus Connections

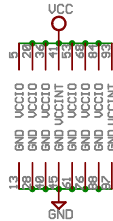
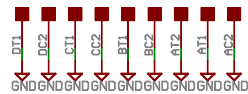
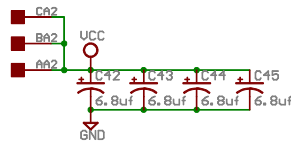
OUTLINE-OMNIBUS



rx8e.pdf has incorrect connection for e28 pin 13!



Bypass Capacitors



RX8-E Omnibus Interface	
TITLE: M8357pld	
Document Number: D-CS-M8357-0-1	REV: B
Date: 9/07/2015 05:54:29p	Sheet: 1/1