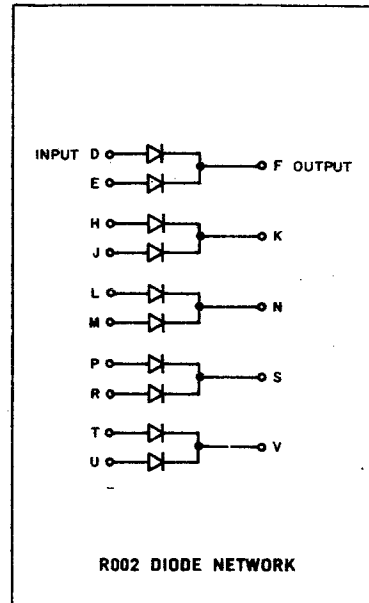
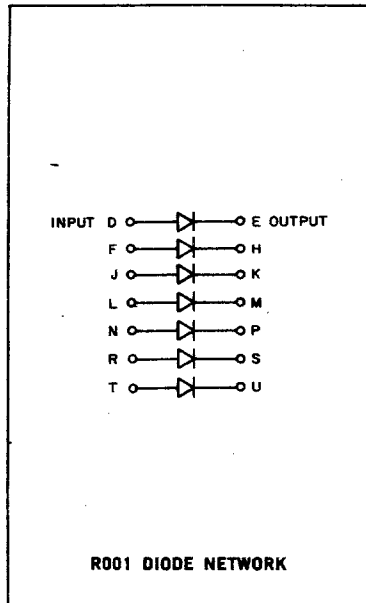


# DIODE NETWORKS

## TYPES R001, R002

# R

## SERIES



Diode networks can expand the logic capability of any R-Series, W-Series, or A-Series module which has one or more node inputs, such as the R111 diode gate. They can also make it possible to OR into an R-Series flip-flop output terminal for setting or clearing from several sources.

Diode networks cannot be cascaded to perform

other logic operations.

Propagation delay of R-Series gates expanded by R001 or R002 diodes will increase typically 15-30 nsec when gate output rises from  $-3v$  to  $0v$ , but will not change noticeably when gate output falls from  $0v$  to  $-3v$ . Diodes used are similar to type IN3606.

|      |          |
|------|----------|
| R001 | — \$4.00 |
| R002 | — \$5.00 |