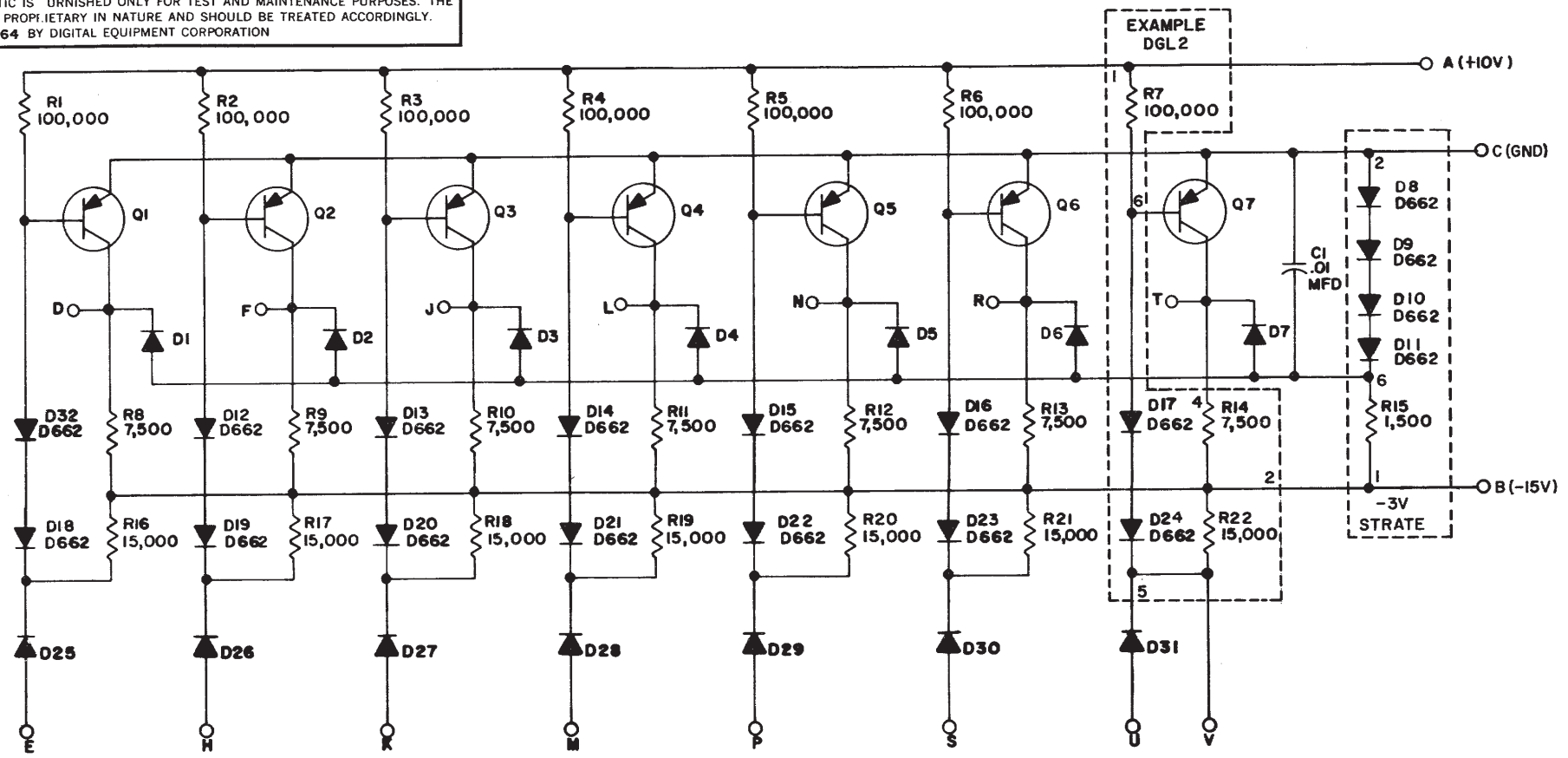
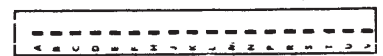


THIS SCHEMATIC IS FURNISHED ONLY FOR TEST AND MAINTENANCE PURPOSES. THE CIRCUITS ARE PROPRIETARY IN NATURE AND SHOULD BE TREATED ACCORDINGLY. COPYRIGHT 1964 BY DIGITAL EQUIPMENT CORPORATION



UNLESS OTHERWISE INDICATED;
 RESISTORS ARE 1/4W, 5%
 DIODES ARE D-664
 TRANSISTORS ARE DEC 3639B
 PRINTED CIRCUIT REV. FOR
 DGL BOARD IS SIA



REVISONS	CHK	CHG NO.	REV.
1	DAW	4863	
D	REV	5377	
E	REV	5461	
F	REV	5685	
H	REV	6539	

DRN. A OUELLETTE	DATE 9-1-64
CHK'D N PERRYMAN	DATE 9-10-64
ENG. D WHITE	DATE 9-10-64
PROD.	DATE

TRANSISTOR & DIODE CONVERSION CHART			
DEC	EIA	DEC	EIA
DEC 3639B	2N3639		
D 662	1N645		
D 664	1N3606		

digital		EQUIPMENT CORPORATION MAYNARD, MASSACHUSETTS		TITLE INVERTER R107	
				SIZE B	CODE CS
PRINTED CIRCUIT REV.				C	D