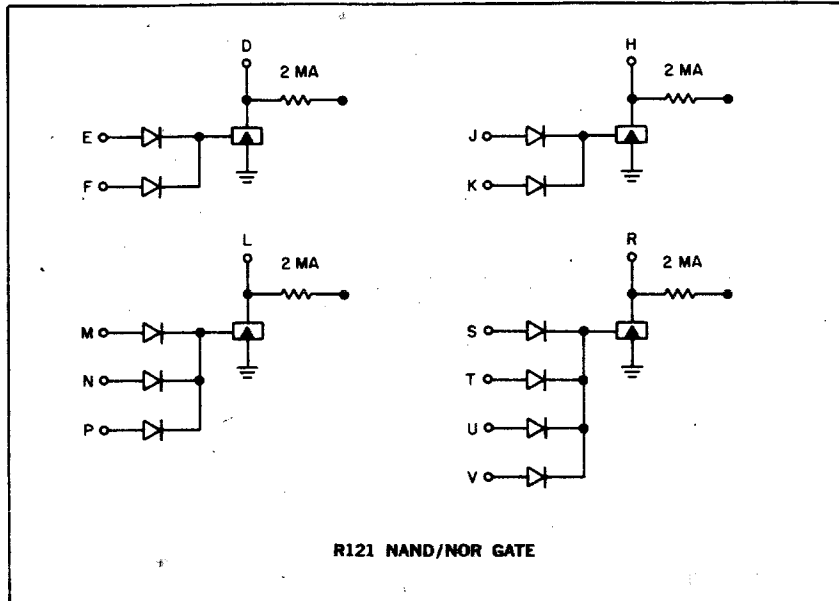


NAND/NOR GATE TYPE R121

R SERIES



The R121 contains four R111-type circuits with 2-ma loads internally connected to each output. This module increases density at the expense of flexibility, since gate expanders R001 and R002 cannot be used.

INPUT: Standard levels of $-3v$ and ground, 100 nsec, minimum duration. Input load is 1 ma, shared among the inputs that are at ground.

OUTPUT: Standard levels of $-3v$ and ground. Each output has a permanently attached 2 ma clamped load resistor. Each output can drive 18 ma of load at ground. Delays are similar to R111 delays. See application note "Estimating Propagation Delay" for more information.

POWER: $+10v(A)/0.4$ ma, $-15v/20$ ma.

R121 — \$17.00