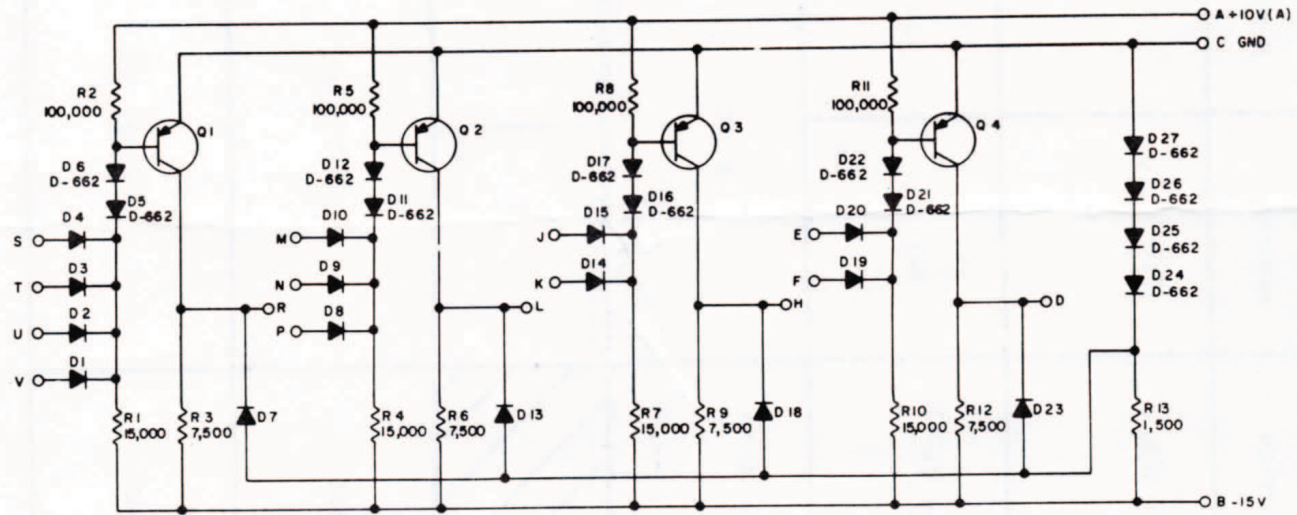


RS-B-R12I



UNLESS OTHERWISE INDICATED:
 TRANSISTORS ARE DEC 3639
 DIODES ARE D-664
 RESISTORS ARE 1/4 W, 5%

TRANSISTOR & DIODE CONVERSION CHART			
DEC	EIA	DEC	EIA
DEC 3639	2N3639		
D-662	1N 646		
D-664	1N 3806		

NOTES

THIS SCHEMATIC IS FURNISHED ONLY FOR TEST AND MAINTENANCE PURPOSES. THE CIRCUITS ARE PROPRIETARY IN NATURE AND SHOULD BE TREATED ACCORDINGLY.

COPYRIGHT 1965 BY DIGITAL EQUIPMENT CORPORATION

A RS-B-R12I	
NAND GATE R12I	

DIGITAL EQUIPMENT CORPORATION • MAYNARD, MASSACHUSETTS