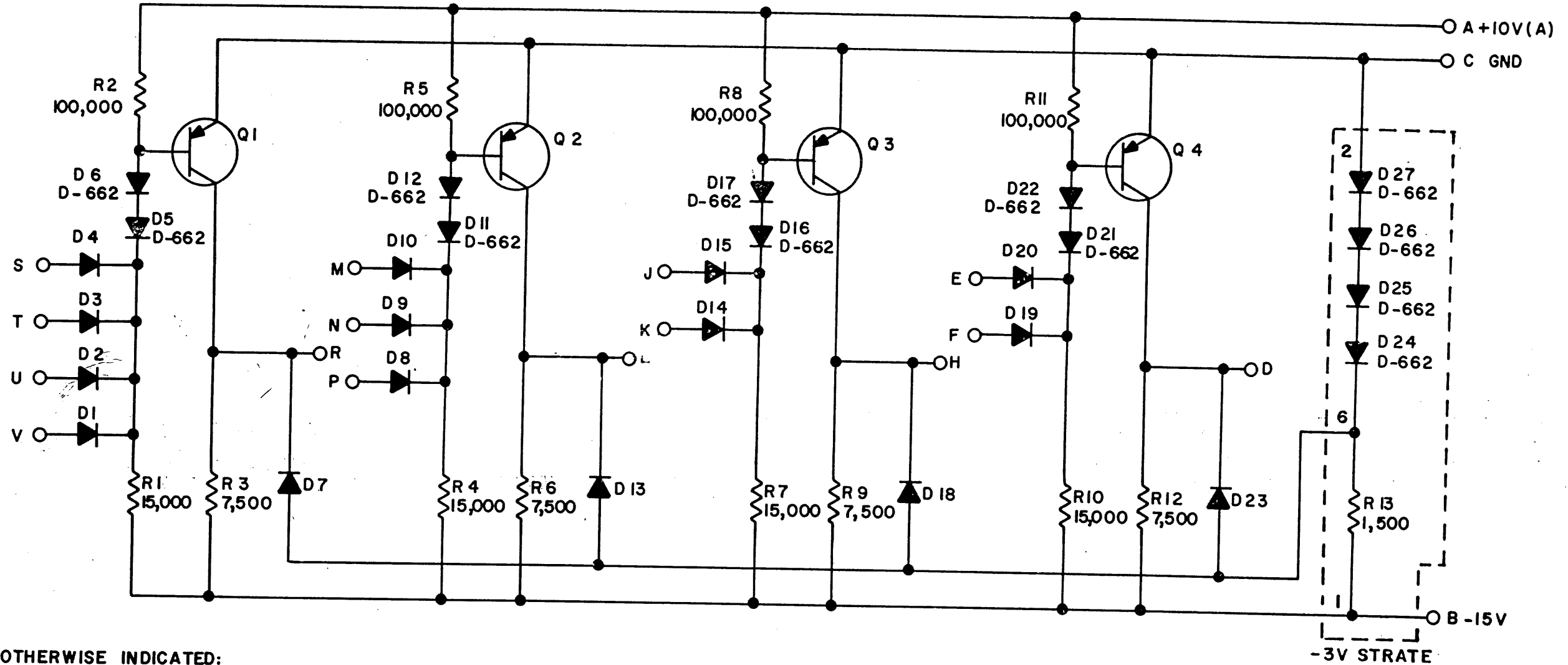


THIS SCHEMATIC IS FURNISHED ONLY FOR 1L5T AND MAINTENANCE PURPOSES. THE CIRCUITS ARE PROPRIETARY IN NATURE AND SHOULD BE TREATED ACCORDINGLY. COPYRIGHT 1965 BY DIGITAL EQUIPMENT CORPORATION



UNLESS OTHERWISE INDICATED:  
 TRANSISTORS ARE DEC 3639B  
 DIODES ARE D-664  
 RESISTORS ARE 1/4 W, 5%



REVISIONS	CHK CHG NO. REV.	DRN. I. HAHN	DATE	TRANSISTOR & DIODE CONVERSION CHART				TITLE NAND GATE R121
	REV. & REDR. 6541 A		3-26-65	DEC	EIA	DEC	EIA	
REV. & REDR. 6541 A		CHK'D N. PERRYMAN	DATE	DEC3639B	2N3639			CODE CS
		ENG. R. DOANE	DATE	D662	IN645			NUMBER R121-0-1
		PROD.	DATE	D664	IN3606			REV. A
								PRINTED CIRCUIT REV.
								A B