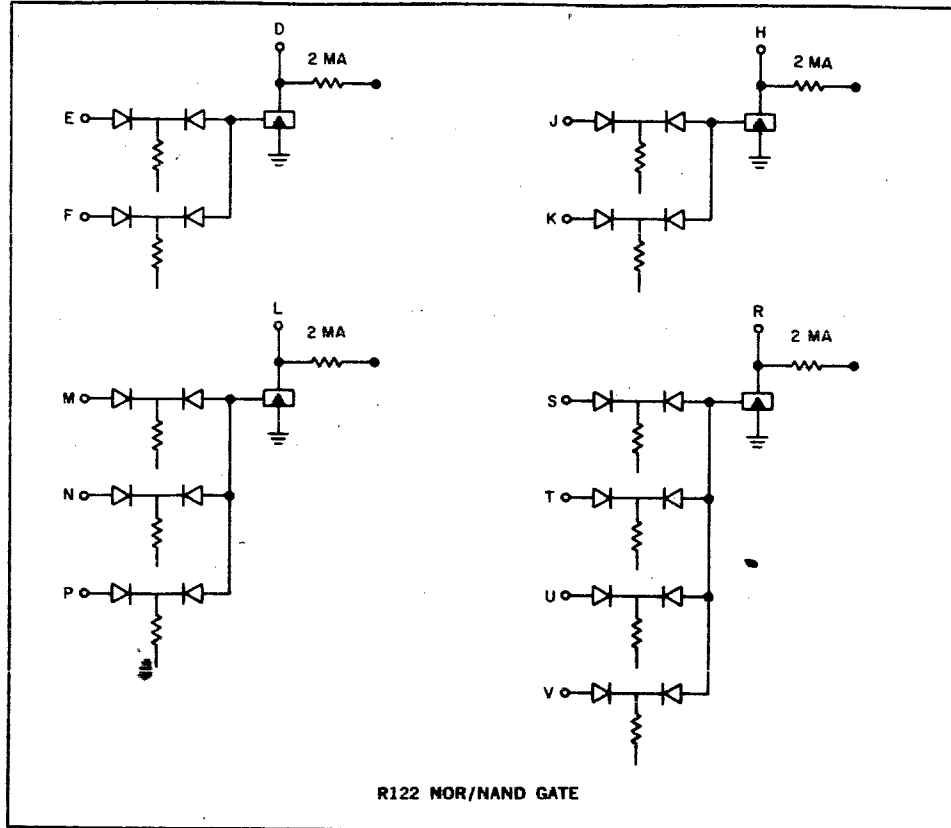


NOR / NAND GATE TYPE R122

R SERIES



Provides the logical complement to the R121 NAND Gate at some sacrifice of speed and economy.

INPUT: Standard levels of $-3v$ and ground. Minimum duration: 400 nsec at ground, 100 nsec at $-3v$. Input load is 1 ma at each input.

OUTPUT: Standard levels of $-3v$ and ground. Each

output has a permanently attached 2 ma clamped load resistor. Each output can drive 18 ma of load at ground. Propagation delays for output rise are similar to R111 delays. Propagation delays for output fall are typically 75 nsec longer than R111 delays.

POWER: $+10v(A)/3$ ma, $-15v/31$ ma.