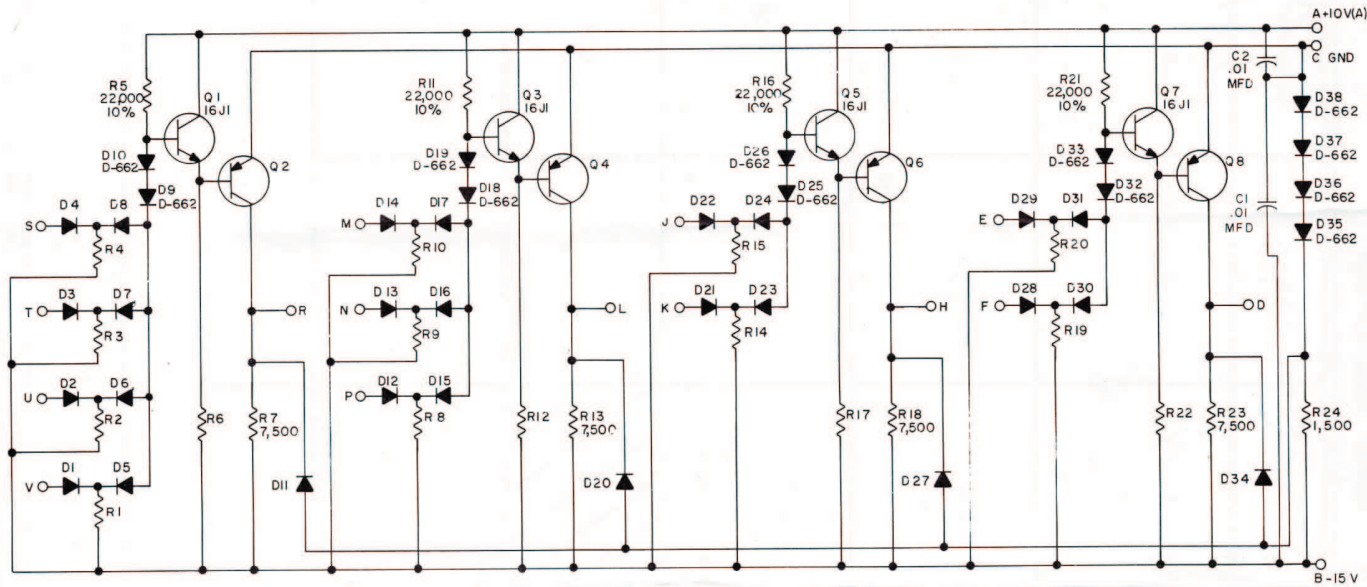


RS-B-R122



UNLESS OTHERWISE INDICATED:
 RESISTORS ARE 1/8W, 5%
 DIODES ARE D-664
 TRANSISTORS ARE DEC 3639

TRANSISTOR & DIODE CONVERSION CHART			
DEC	EIA	DEC	EIA
DEC 3639	2N3639		
D-662	1N645		
D-664	1N3606		

NOTES

THIS SCHEMATIC IS FURNISHED ONLY FOR TEST AND MAINTENANCE PURPOSES. THE CIRCUITS ARE PROPRIETARY IN NATURE AND SHOULD BE TREATED ACCORDINGLY.

COPYRIGHT 1965 BY DIGITAL EQUIPMENT CORPORATION

A		RS-B-R122	
NOR GATE R122			

DIGITAL EQUIPMENT CORPORATION • MAYNARD, MASSACHUSETTS