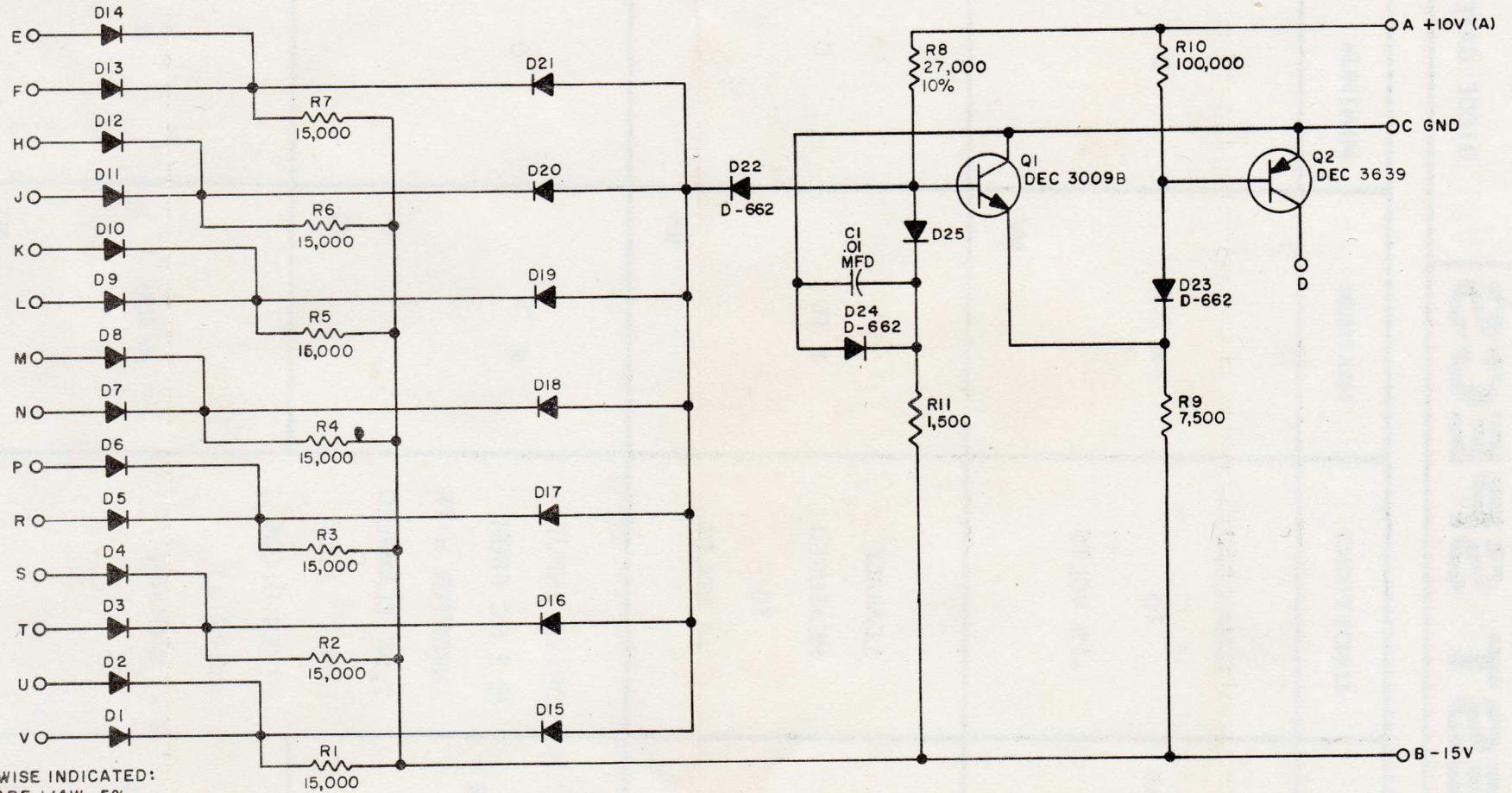


RS-B-R14I-5



A B C D E F G H I J K L M N O P Q R S T U V

TRANSISTOR & DIODE CONVERSION CHART			
DEC	EIA	DEC	EIA
DEC 3639	2N3639		
DEC 3009B	2N3009		
D-662	IN645		
D-664	IN3606		

NOTES

THIS SCHEMATIC IS FURNISHED ONLY FOR TEST AND MAINTENANCE PURPOSES. THE CIRCUITS ARE PROPRIETARY IN NATURE AND SHOULD BE TREATED ACCORDINGLY.

COPYRIGHT 1964 BY DIGITAL EQUIPMENT CORPORATION

A B C D E F G H I J K L M N O P Q R S T U V																									
D													RS-B-R14I										5		
DIODE GATE R14I																									