

FLIP CHIP MODULES TEST SPECS

TYPE: R 151
BINARY
TO OCTAL DECODER

TEST	CONDITIONS	MINIMUM	MAXIMUM
LOAD TESTS	$V_{IN} = -0.5 \text{ V}$	1.8 MA	2.2 MA
LOWER LEVEL	$V_{IN} = -0.5 \text{ V}$	3.2 V	3.9 V
V_{CE}	$V_{IN} = 2.0 \text{ V}$ $I_C = 20 \text{ MA}$		300 MV
TOTAL TRANSITION TIME	RISE		70 NS
	FALL		300 NS
CHECK FOR ABSENCE OF SHORT BETWEEN C AND D		✓	

TECHNICAL INFORMATION

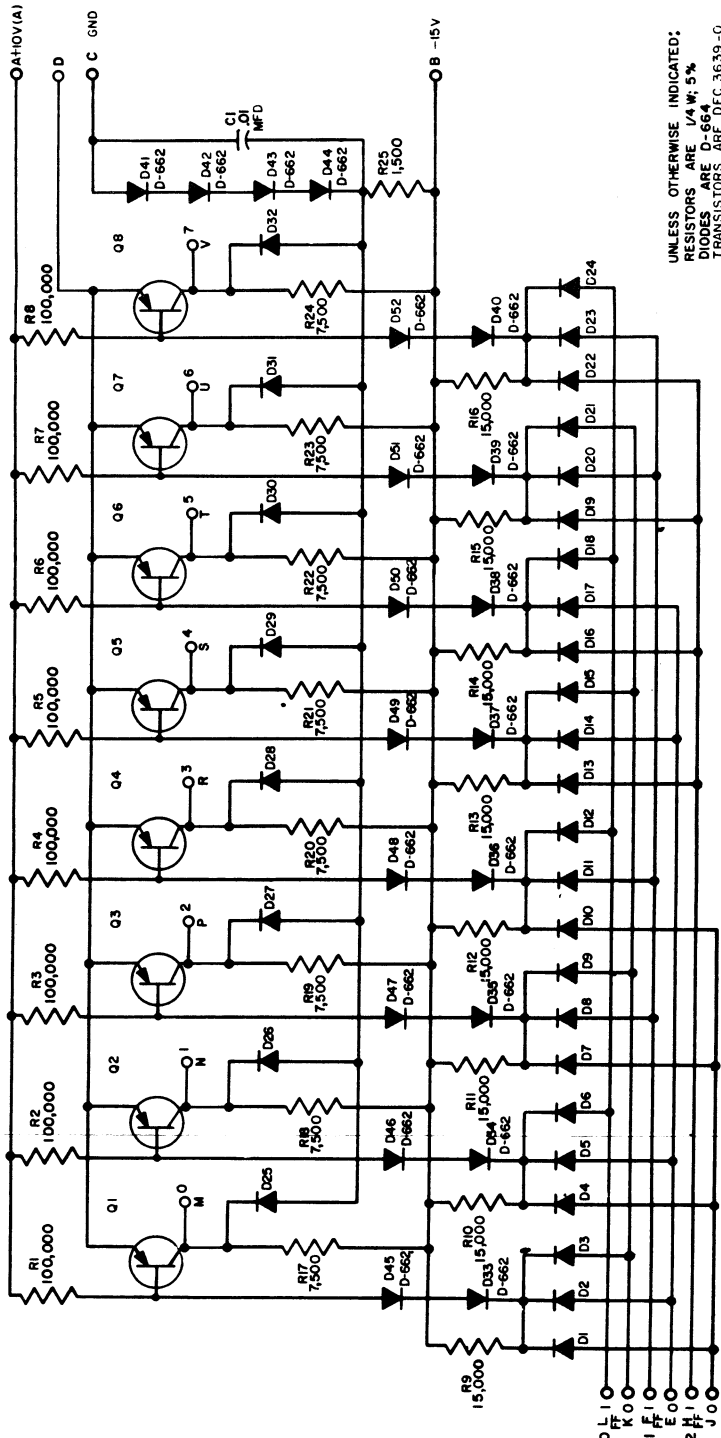
Instruction literature and technical bulletins are available on all digital products, if you would like to be added to our mailing list for this type of material or if you have any questions about the equipment you have purchased, please contact the nearest Digital Sales Office.

MAINTENANCE INFORMATION

Repair of printed circuitry should be done with a low voltage, fairly cool soldering iron to prevent damage to the transistors and keep the copper from lifting. Oscilloscopes used to troubleshoot a module or system should be grounded to prevent damaging transients.

ban
12/11/64

RS-B-R151-3



UNLESS OTHERWISE INDICATED:
 RESISTORS ARE 1/4 W; 5%
 DIODES ARE D-664
 TRANSISTORS ARE DEC 3639 -O



TRANSISTOR & DIODE CONVERSION CHART				NOTES
DEC	TRANS	DEC	TRANS	
00	3639-O	28	3639	
01	664	18	664	
02	664	18	664	
03	664	18	664	

THIS SCHEMATIC IS FURNISHED ONLY FOR TEST AND MAINTENANCE PURPOSES. THE CIRCUITS ARE PROPRIETARY IN NATURE AND SHOULD BE TREATED ACCORDINGLY.
 COPYRIGHT 1964 BY DIGITAL EQUIPMENT CORPORATION

0	1	2	3	4	5	6	7	8	9	10	11	12	13	14	15
0	1	2	3	4	5	6	7	8	9	10	11	12	13	14	15
B															
RS-B-R151															
3															

BINARY TO OCTAL DECODER R151