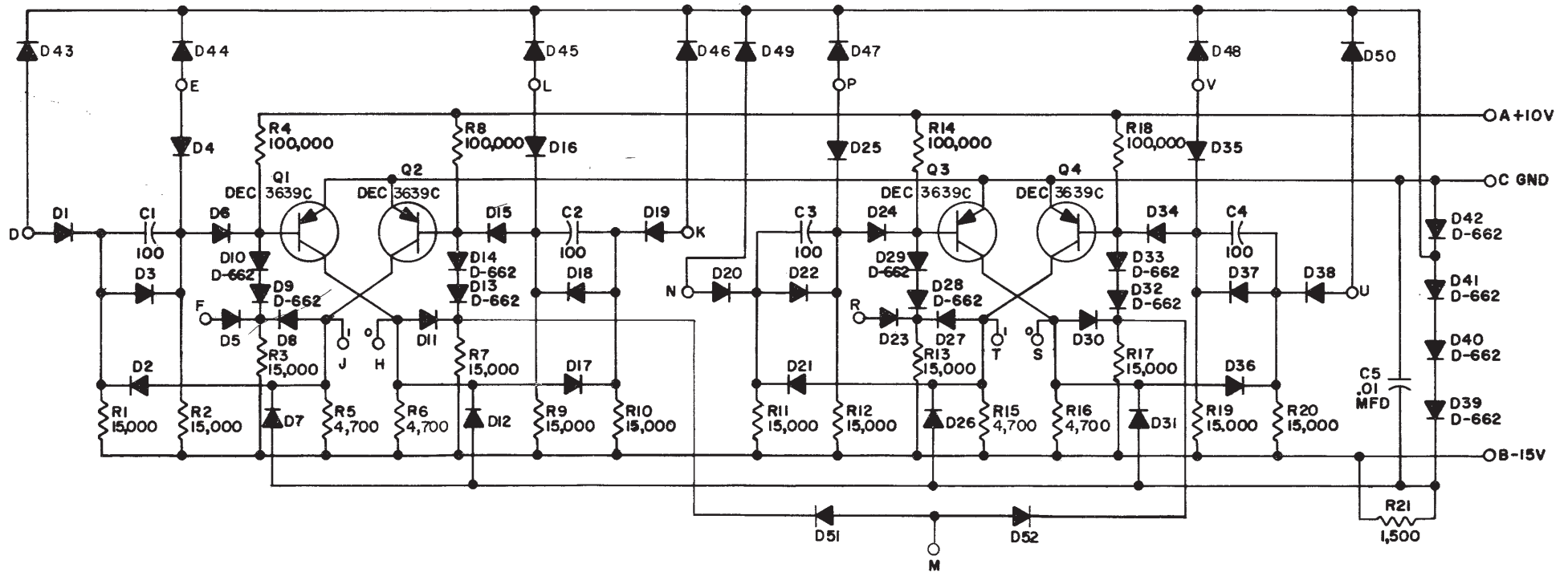


THIS SCHEMATIC IS FURNISHED ONLY FOR TEST AND MAINTENANCE PURPOSES. THE CIRCUITS ARE PROPRIETARY IN NATURE AND SHOULD BE TREATED ACCORDINGLY. COPYRIGHT 1964 BY DIGITAL EQUIPMENT CORPORATION



UNLESS OTHERWISE INDICATED:
 RESISTORS ARE 1/4W, 5%
 CAPACITORS ARE MMFD
 DIODES ARE D-664



REVISIONS CHK CHG NO REV RMS 6330 4 REV 6 REDR 4 6549 F		DRN. A. OUELLETTE DATE 6-16-64	TRANSISTOR & DIODE CONVERSION CHART					TITLE DUAL FLIP FLOP R202		
CHK'D N. PERRYMAN DATE 6-16-64	ENG. R. BANK DATE 6-22-64	PROD. DATE	DEC DEC3639C D662 D664	EIA 2N3639 IN645 IN3606	DEC FIA	SIZE B		CODE CS	NUMBER R202-0-1	REV. F
PRINTED CIRCUIT REV.							DE			