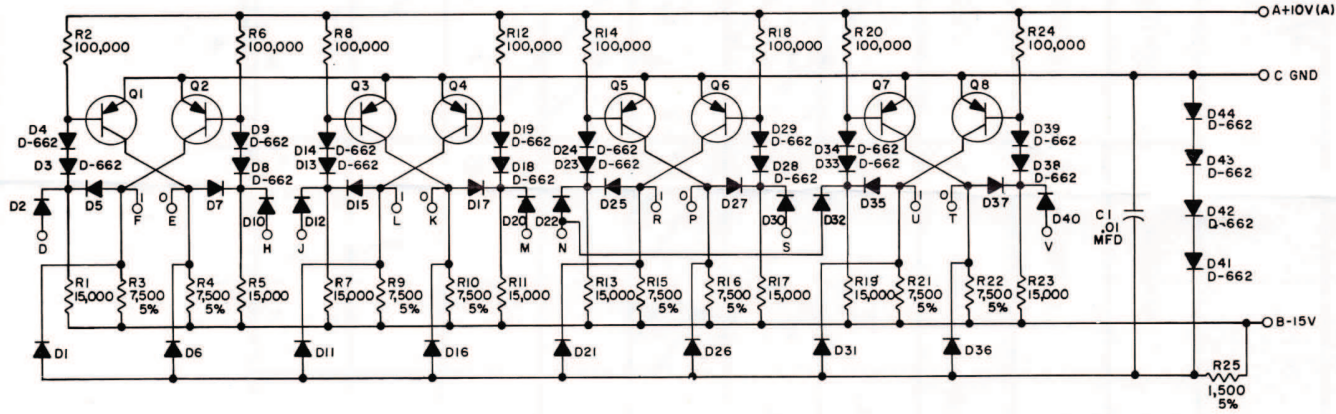


RS-B-R204



UNLESS OTHERWISE INDICATED:
 RESISTORS ARE 1/4W, 10%
 DIODES ARE D-664
 TRANSISTORS ARE DEC 2894-1

TRANSISTOR & DIODE CONVERSION CHART			
DEC	EIA	DEC	EIA
DEC 2894-1	DEC 2894		
D-662	1N646		
D-664	1N3606		

NOTES

THIS SCHEMATIC IS FURNISHED ONLY FOR TEST AND MAINTENANCE PURPOSES. THE CIRCUITS ARE PROPRIETARY IN NATURE AND SHOULD BE TREATED ACCORDINGLY.
 COPYRIGHT 1964 BY DIGITAL EQUIPMENT CORPORATION

A		RS-B-R204
QJADRUPLE FLIP-FLOP R204		