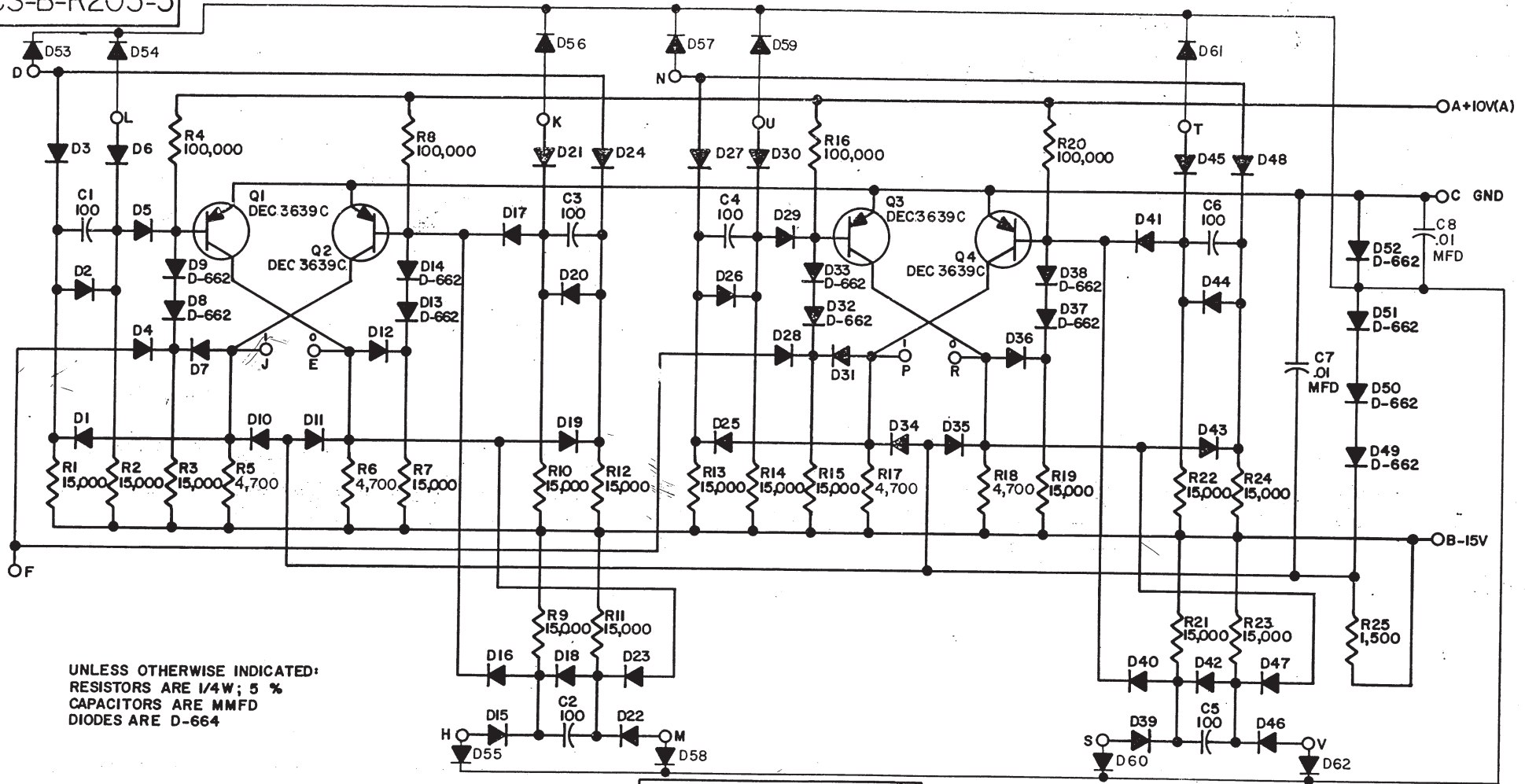


CS-B-R205-5



UNLESS OTHERWISE INDICATED:
RESISTORS ARE 1/4W; 5 %
CAPACITORS ARE MMFD
DIODES ARE D-664

A B C D E F G H I J K L M N O P Q R S T U V W X Y Z

6551-5	6332-4	4913-3	4880-2	4843 / 1x	4914-1	ECO. NO.	REVISIONS	DRAFTSMAN H.W. PORTER DATE 9-9-64	CHECKER M. [Signature] DATE 9-15-64	digital EQUIPMENT CORPORATION MAYNARD, MASSACHUSETTS	CODE CS B-R205	DWG. NO.	REV. 5
								ENGINEER DATE	PRODUCTION DATE	TITLE DUAL FLIP-FLOP R205			