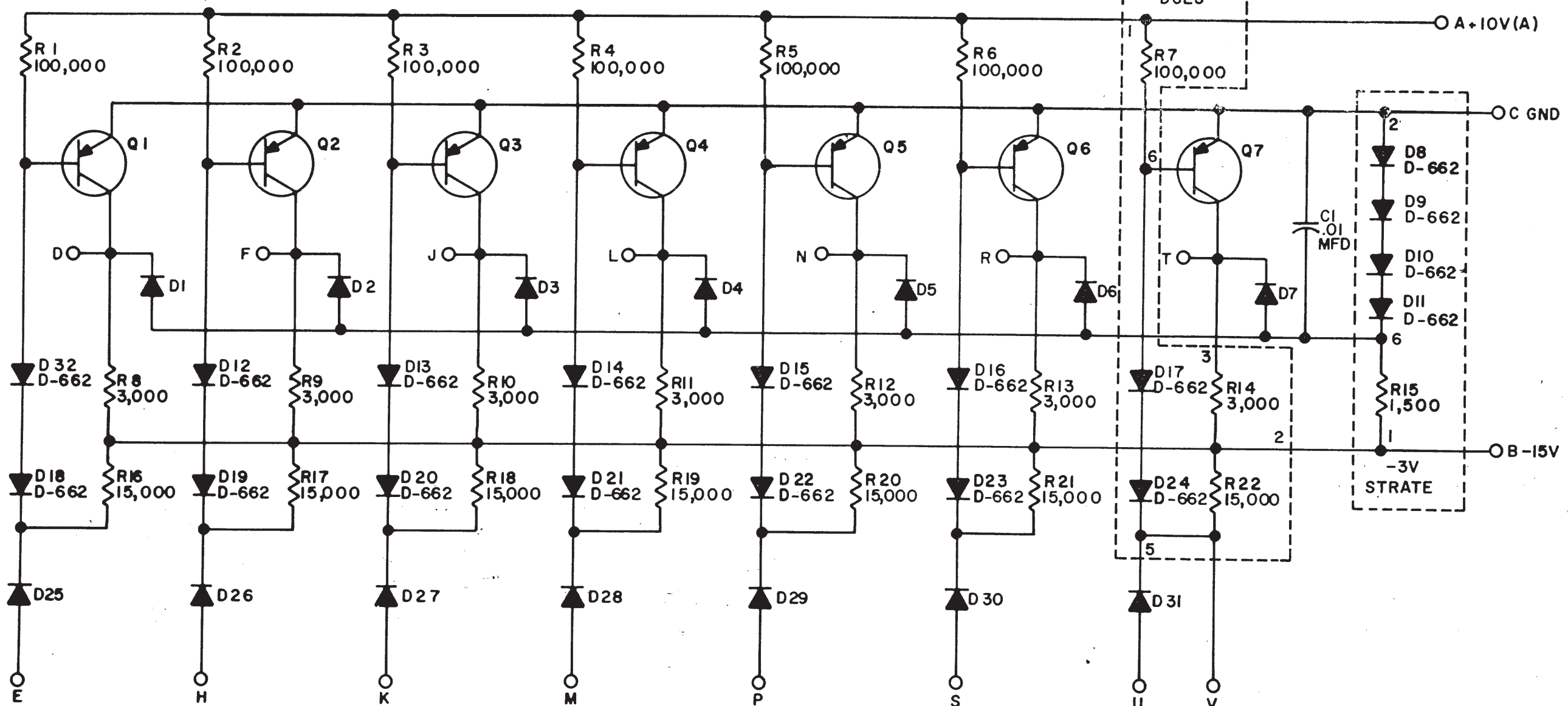


THIS SCHEMATIC IS FURNISHED ONLY FOR TEST AND MAINTENANCE PURPOSES. THE CIRCUITS ARE PROPRIETARY IN NATURE AND SHOULD BE TREATED ACCORDINGLY. COPYRIGHT 1965 BY DIGITAL EQUIPMENT CORPORATION



UNLESS OTHERWISE INDICATED:
 RESISTORS ARE 1/4W;5%
 DIODES ARE D-664
 TRANSISTORS ARE DEC 3639B
 PRINTED CIRCUIT REV. FOR
 DGL BOARD IS SIA

USE THE ETCH BOARD OF THE R107



PARTS LIST A-PL-SI07-0-0

REVISIONS CHK NO. REV. REV. & REDR. B 5384 5458 6857 RWD 00001 WAKY MOLE D. BAKER J. E. D...	DRN. I HAHN	DATE 6-11-65	TRANSISTOR & DIODE CONVERSION CHART				digital EQUIPMENT CORPORATION MAYNARD, MASSACHUSETTS	TITLE INVERTER SI07			
	CHK'D R SILVERMAN	DATE 6-18-65	DEC	EIA	DEC	EIA		SIZE B	CODE CS	NUMBER SI07-0-1	REV. E
	ENG. R SOGGE	DATE 6-18-65	DEC 3639B	2N3639							
	PROD.	DATE	D662	IN645							
			D664	IN3606							