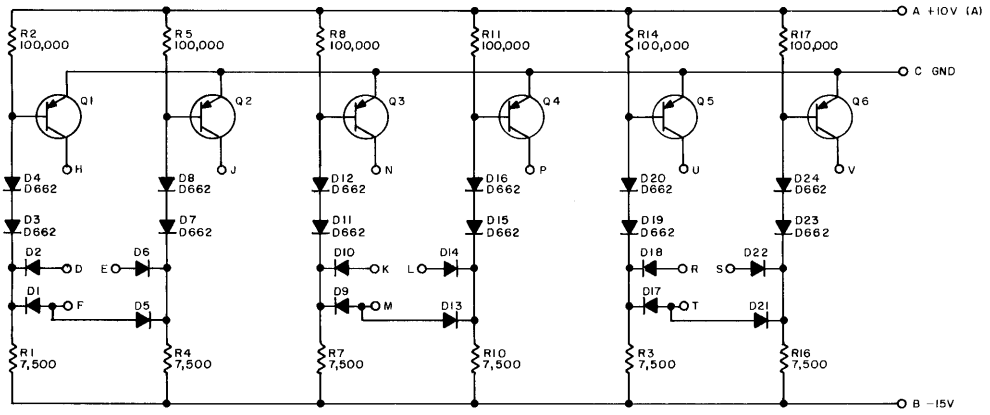
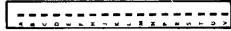


THIS SCHEMATIC IS FURNISHED ONLY FOR TEST AND MAINTENANCE PURPOSES. THE CIRCUITS ARE PROPRIETARY IN NATURE AND SHOULD BE TREATED ACCORDINGLY. COPYRIGHT 1967 BY DIGITAL EQUIPMENT CORPORATION



UNLESS OTHERWISE INDICATED:  
 TRANSISTORS ARE DEC3639  
 RESISTORS ARE 1/4W, 5%  
 DIODES ARE D664

USE THE ETCH BOARD OF THE W101



REVISIONS  
 CHK CHG NO REV

DRN. *M. Waller* DATE **6-6-67**  
 CHK'D DATE  
 ENG. *LLJ* DATE **2-10-67**  
 PROD. *DJH* DATE **2-12-67**

TRANSISTOR & DIODE CONVERSION CHART			
DEC	EIA	DEC	FIA
DEC3639	2N3639		
D662	1N645		
D664	1N3606		

**digital**  
 EQUIPMENT CORPORATION  
 MAYNARD, MASSACHUSETTS

TITLE  
**DIODE GATE SI23**

SIZE B	CODE CS	NUMBER SI23-0-1	REV 1
-----------	------------	--------------------	----------

PRINTED CIRCUIT REV **B**