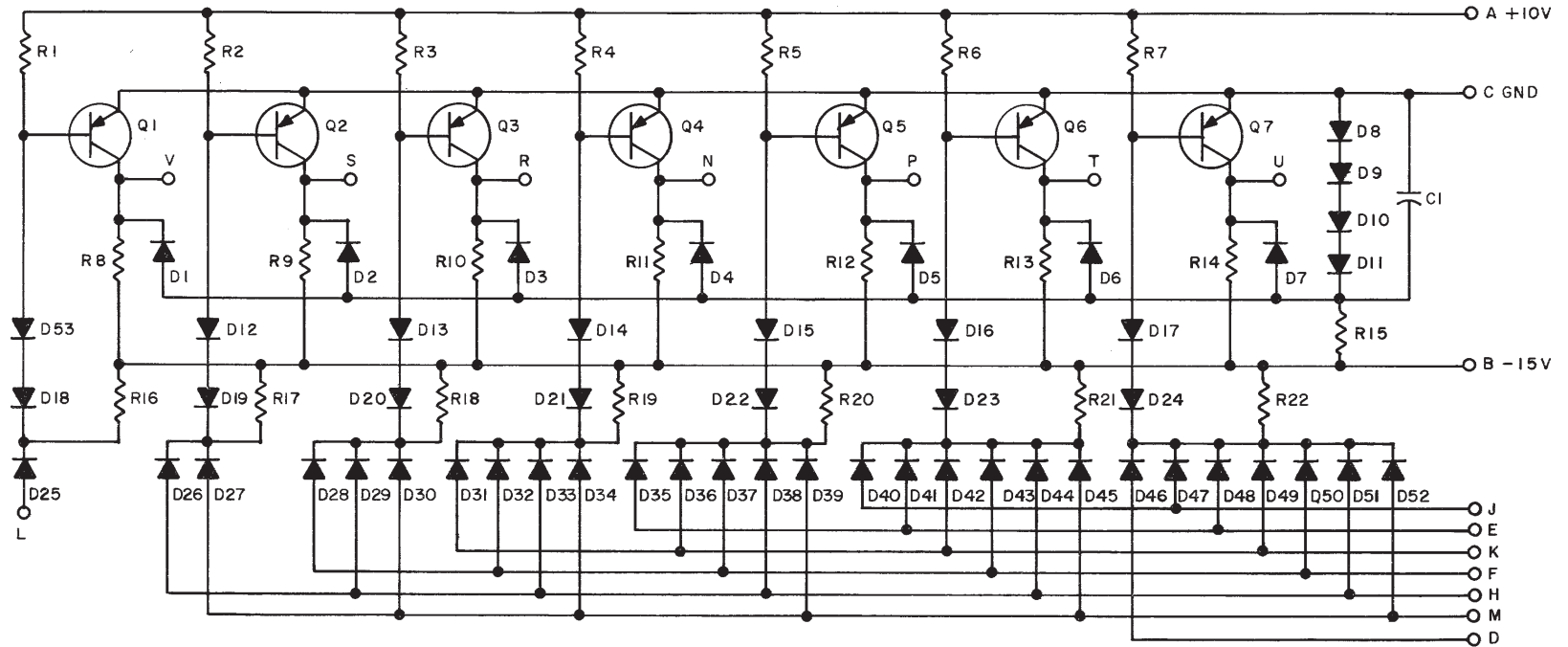


THIS SCHEMATIC IS FURNISHED ONLY FOR TEST AND MAINTENANCE PURPOSES. THE CIRCUITS ARE PROPRIETARY IN NATURE AND SHOULD BE TREATED ACCORDINGLY. COPYRIGHT 1965 BY DIGITAL EQUIPMENT CORPORATION



USE THE ETCH BOARD OF THE R181

Q1 THRU Q7	TRANSISTOR DEC3639B	1502762
R16 THRU R22	RES. 15K 1/4W 5%	1300496
R15	RES. 1.5K 1/4W 5% CC	1300391
R8 THRU R14	RES. 3K 1/4W 5% CC	1300432
R1 THRU R7	RES. 100K 1/4W 5% CC	1302466
D1 THRU D7, D25 THRU D52	DIODE D664	1100114
D8 THRU D24, D53	DIODE D662	1100113
C1	CAP. .01MFD 50V -0 +20% DISC	10 0 0001
	PARTS LIST	A-PL-S181-0-0
REFERENCE DESIGNATION	DESCRIPTION	PART NO.

PARTS LIST

REVISIONS CHK'G NO. REV. REV. & REDR. 6759 A	DRN. I. HAHN DATE 6-11-65	TRANSISTOR & DIODE CONVERSION CHART		digital EQUIPMENT CORPORATION MAYNARD, MASSACHUSETTS	TITLE DC CARRY CHAIN S181	
	CHK'D R. SILVERMAN DATE 6-18-65	DEC DEC3639B EIA 2N3639	DEC D662 EIA 1N645		SIZE B CS NUMBER S181-0-1	REV. A
	ENG. R. SOGGE DATE 6-18-65	DEC D664 EIA 1N3606		PRINTED CIRCUIT REV. C		
	PROD. DATE			DIST: 324 434 435 <sup>2</sup>		