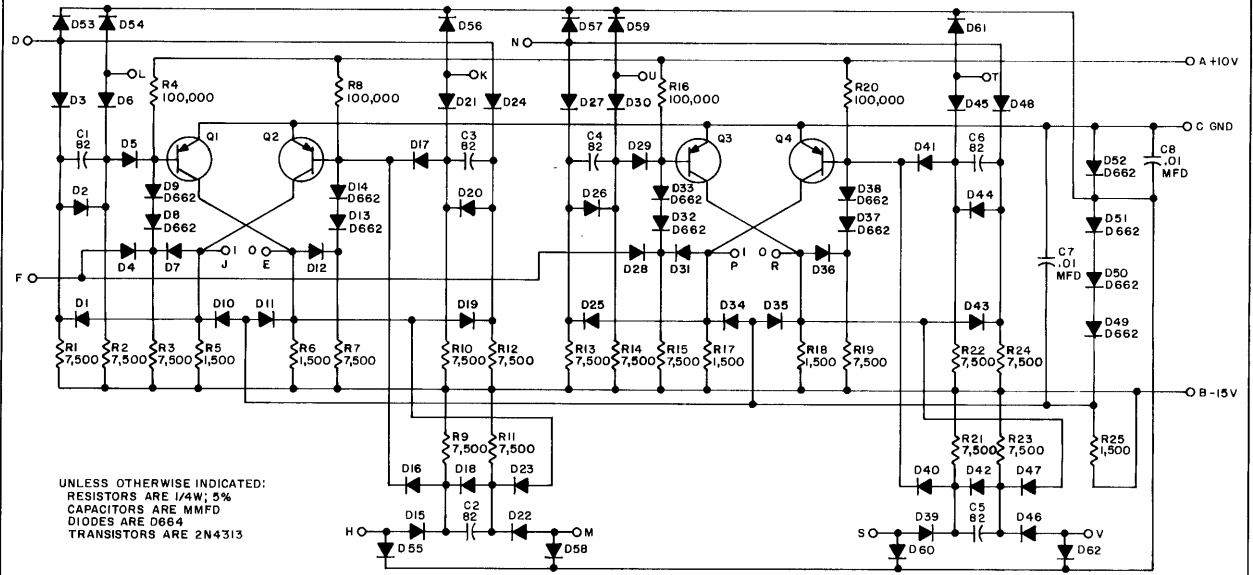


THIS SCHEMATIC IS FURNISHED ONLY FOR TEST AND MAINTENANCE PURPOSES. THE CIRCUITS ARE PROPRIETARY IN NATURE AND SHOULD BE TREATED ACCORDINGLY. COPYRIGHT 1967 BY DIGITAL EQUIPMENT CORPORATION



UNLESS OTHERWISE INDICATED:
RESISTORS ARE 1/4W, 5%
CAPACITORS ARE MMFD
DIODES ARE D664
TRANSISTORS ARE 2N4313

USE THE ETCH BOARD OF THE R205

REVISIONS	CHK	CHG	NO	REV
	✓	✓	6251	A
	✓	✓	6758	B

DRN	<i>M. Waller</i>	DATE	3-9-67
CHK'D		DATE	1/1/68
FR	<i>made</i>	DATE	3/11/67
PRWD		DATE	

TRANSISTOR & DIODE CONVERSION CHART			
DEC	EIA	DEC	EIA
D662	IN645		
D664	IN3606		
2N4313	SAME		

digital
EQUIPMENT CORPORATION
MAYNARD, MASSACHUSETTS

TITLE	DUAL FLIP-FLOP S206		
SIZE	B	CODE	CS
NUMBER	S206-0-1		
REV	B	PRINTED CIRCUIT REV	C D