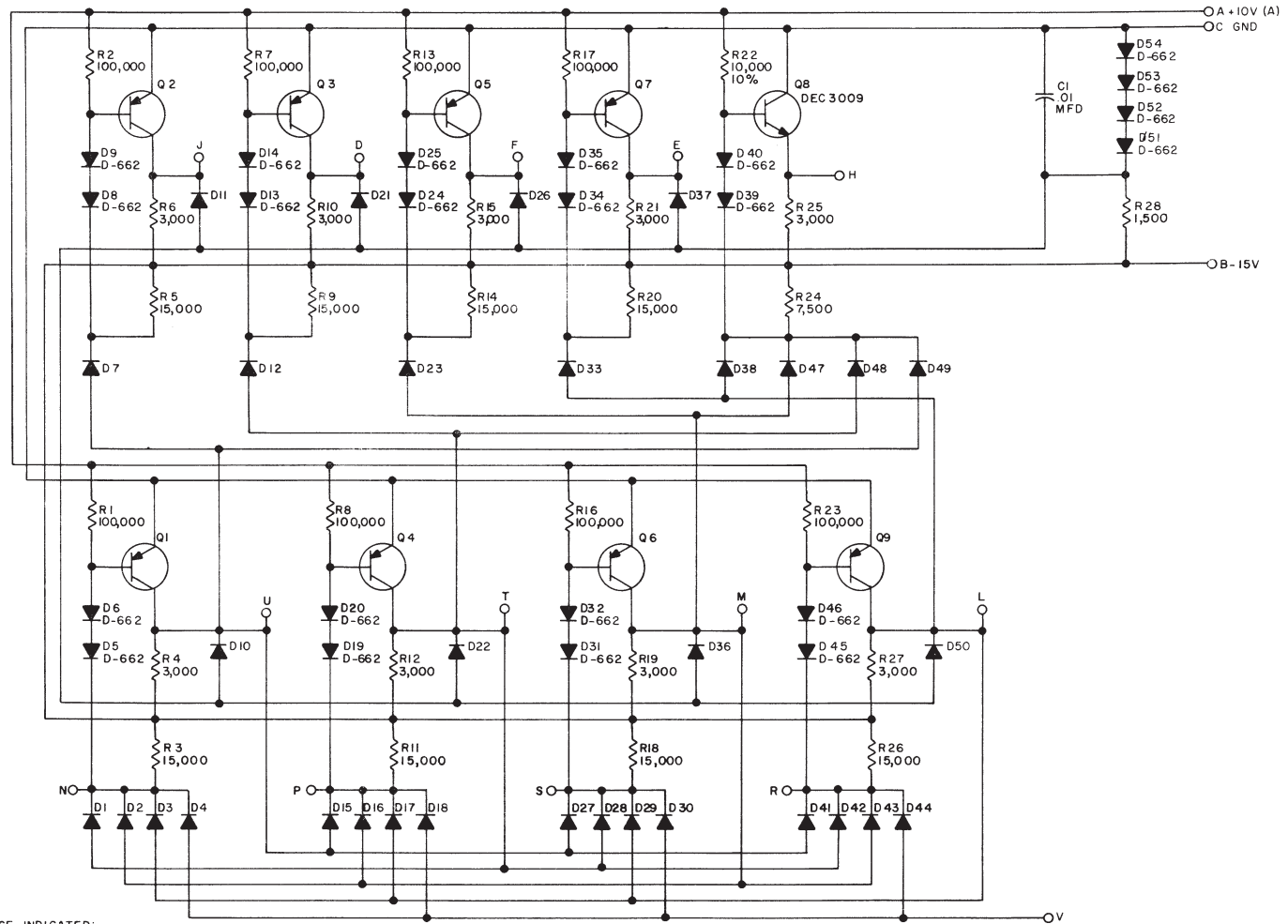


RS-C-S284 Quadratlop



UNLESS OTHERWISE INDICATED:
RESISTORS ARE 1/4 W, 5%
TRANSISTORS ARE DEC 3639
DIODES ARE D-664