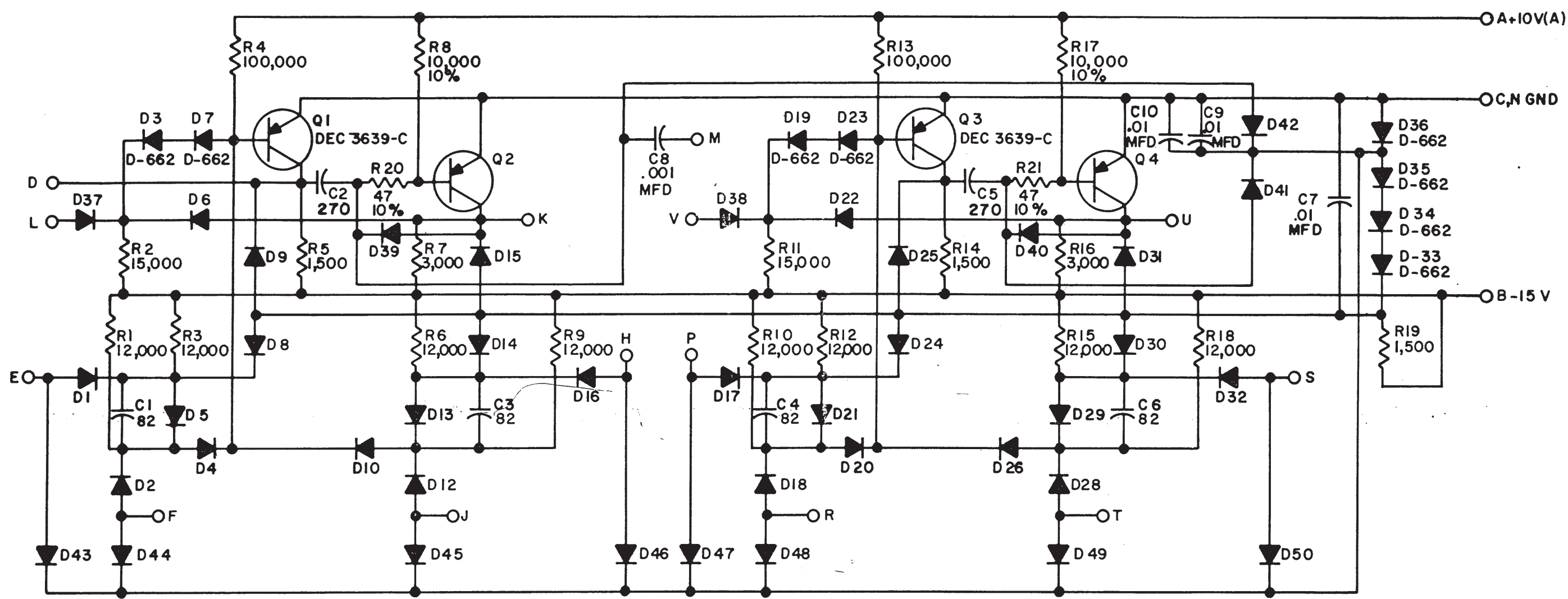


THIS SCHEMATIC IS FURNISHED ONLY FOR TEST AND MAINTENANCE PURPOSES. THE CIRCUITS ARE PROPRIETARY IN NATURE AND SHOULD BE TREATED ACCORDINGLY. COPYRIGHT 1965 BY DIGITAL EQUIPMENT CORPORATION



UNLESS OTHERWISE INDICATED:
 RESISTORS ARE 1/4W; 5%
 CAPACITORS ARE MMFD
 DIODES ARE D-664
 TRANSISTORS ARE DEC2894-2B

USE THE ETCH BOARD OF THE R602

REVISIONS	CHK	CHG NO.	REV.
	DAW	5275	2
	REV. BY	5372	C
	REV. BY	5386	
	REV. BY	5924	D
	REV. BY	6684	E
			F
			H

DRN. I HAHN	DATE 6-14-65
CHK'D R SILVERMAN	DATE 6-18-65
ENG. R SOGGE	DATE 6-18-65
PROD.	DATE

TRANSISTOR & DIODE CONVERSION CHART			
DEC	EIA	DEC	EIA
DEC2894-2B	NONE		
DEC3639-C	2N3639		
D662	IN645		
D664	IN3606		

digital
 EQUIPMENT CORPORATION
 MAYNARD, MASSACHUSETTS

TITLE PULSE AMPLIFIER S602			
SIZE B	CODE CS	NUMBER S602-0-1	REV. H
PRINTED CIRCUIT REV.			H K