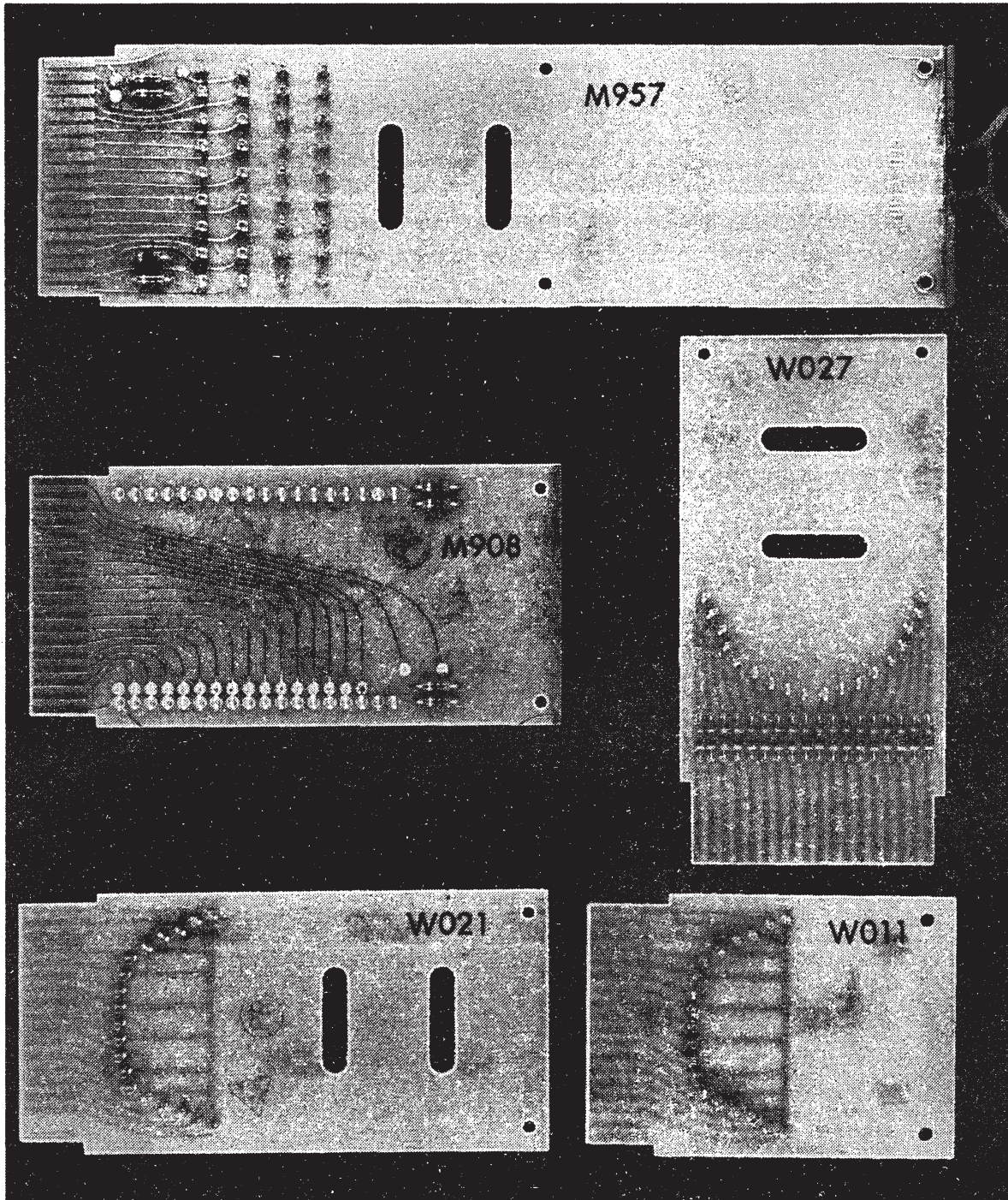


RIBBON CABLE CONNECTORS

CABLE ACCESSORIES

Cable connectors are available for use with 20 conductor ribbon cable (DEC No. 91-07575). The cable conductors are soldered directly to split lugs on the boards. The M908 and M957 are double sided boards to allow the connection of two 20-conductor cables per board.



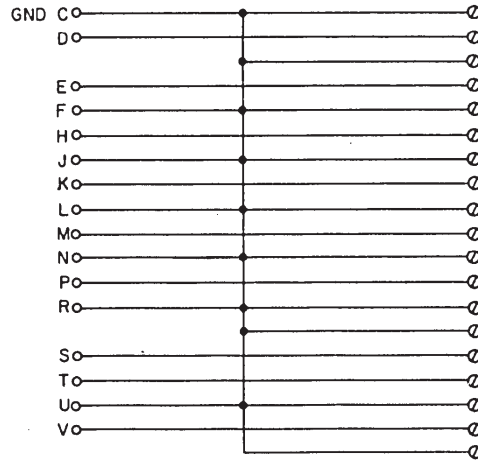
TYPICAL RIBBON CABLE CONNECTORS

**RIBBON CABLE CONNECTORS
(20 CONDUCTOR)**

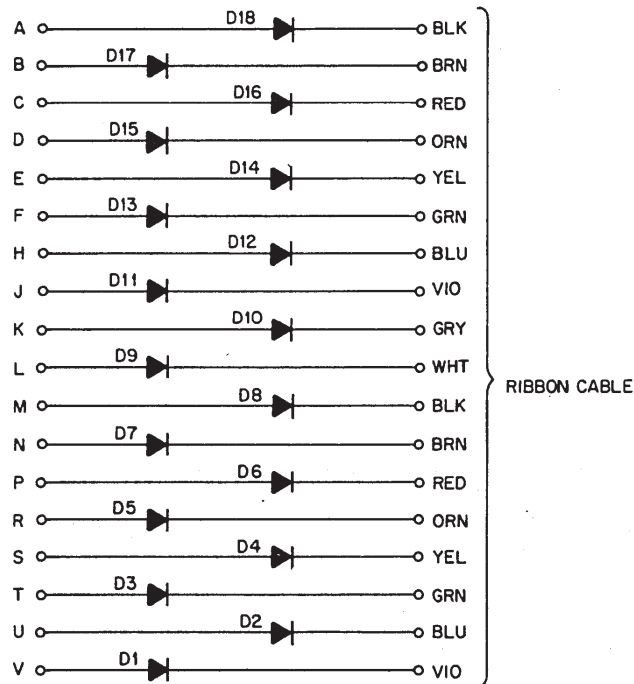
TYPE	NO. OF SIDES	NO. OF CABLES	PIN CONNECTIONS		BOARD SIZE & (TERM)	PRICE
			SIGNAL	GROUND		
W011	1	1	9	9 (Alternate)	Single Height/ Short Length (Split Lug)	\$6.00
W018	1	1	18 (W/D664 Diodes)	None Assigned	Single Height/ Short Length (Split Lug)	9.00
W020	1	1	18 (W/1500 Ω Resistors)	None Assigned	Single Height/ Single Length (Split Lug)	8.00
W021	1	1	9	9 (Alternate)	Single Height/ Single Length (Split Lug)	6.00
W022	1	1	9 (W/100 Ω Loads)	9 (Alternate)	Single Height/ Single Length (Split Lug)	6.00
W023*	1	1	18	None Assigned	Single Height/ Single Length (Split Lug)	6.00
W027	1	1	18 (3000 Ω Resistors)	None Assigned	Single Height/ Single Length (Split Lug)	7.00
M908	2	2	4 (W/10 Ω Resistors) 32 (Direct)	None Assigned	Single Height/ Single Length (Split Lug)	10.00
M917	2	2	18	14 (Alternate)	Single Height/ Single Length (Split Lug)	10.00
M957	2	2	36	None Assigned	Single Height/ Extended Length (Split Lug)	21.00

* Jumpers or Resistors required

RIBBON CONNECTOR BOARD SCHEMATICS

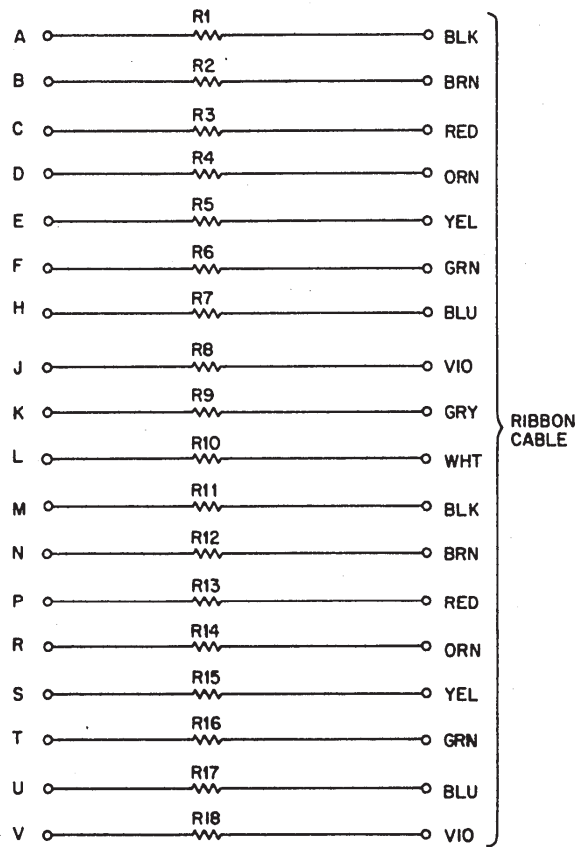


W011



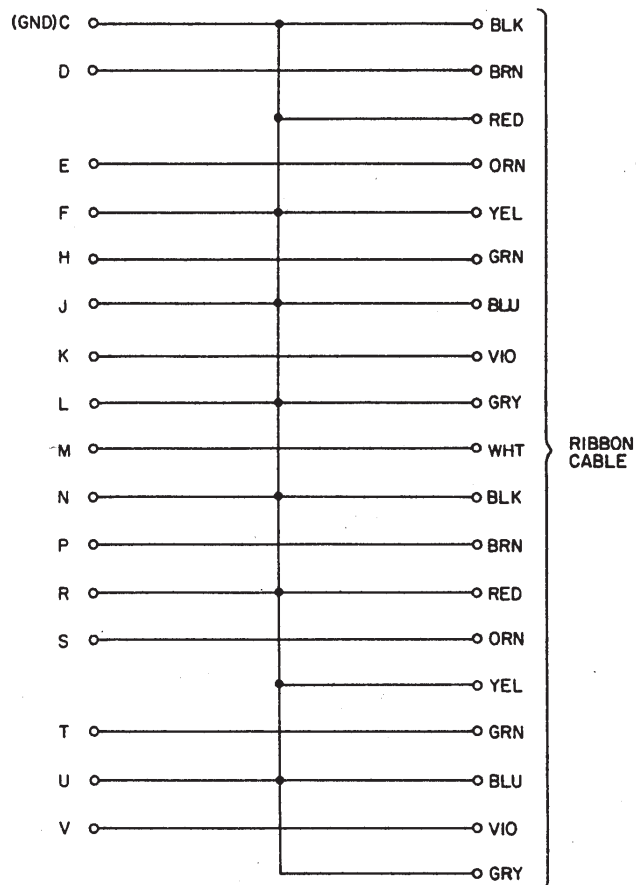
ALL DIODES ARE D664

W018

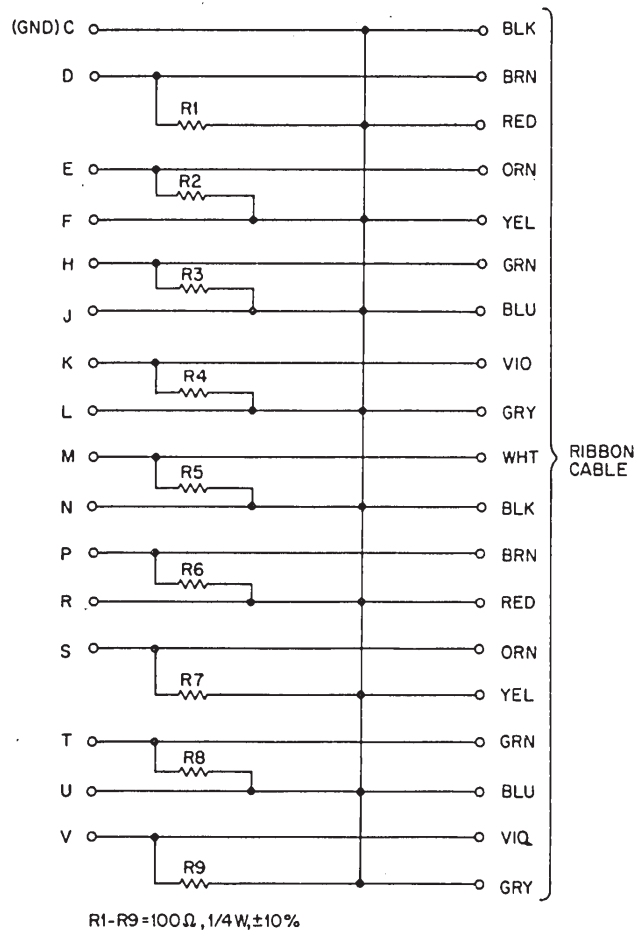


RESISTORS ARE:
1500Ω, ±5%

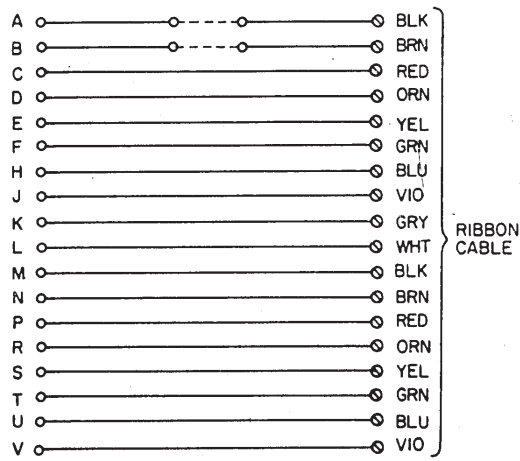
W020



W021

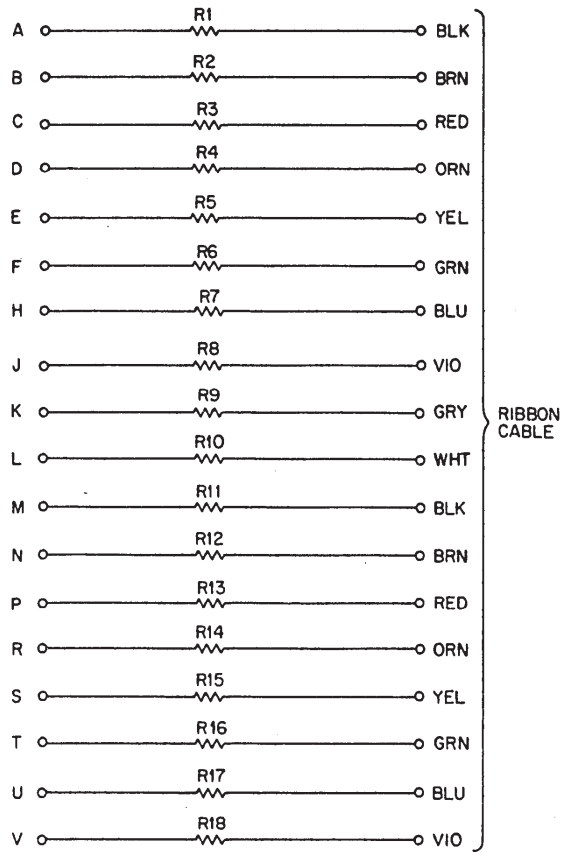


W022



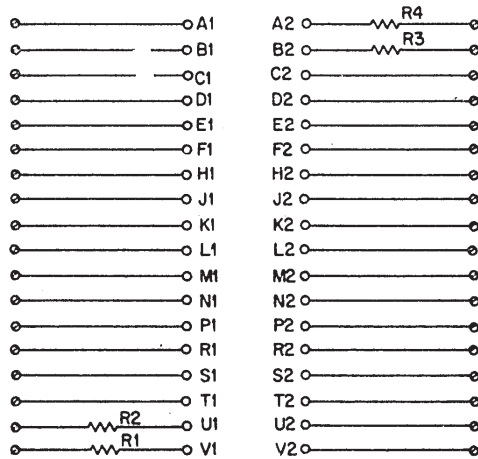
NOTE: ○---○=JUMPERS REQUIRED
 ⊗=SPLIT LUGS

W023



ALL RESISTORS ARE:
3000, 1/4W, ±5%

W027



⊙ SPLIT LUG

R1-R4=10Ω, 1/4W

M908

