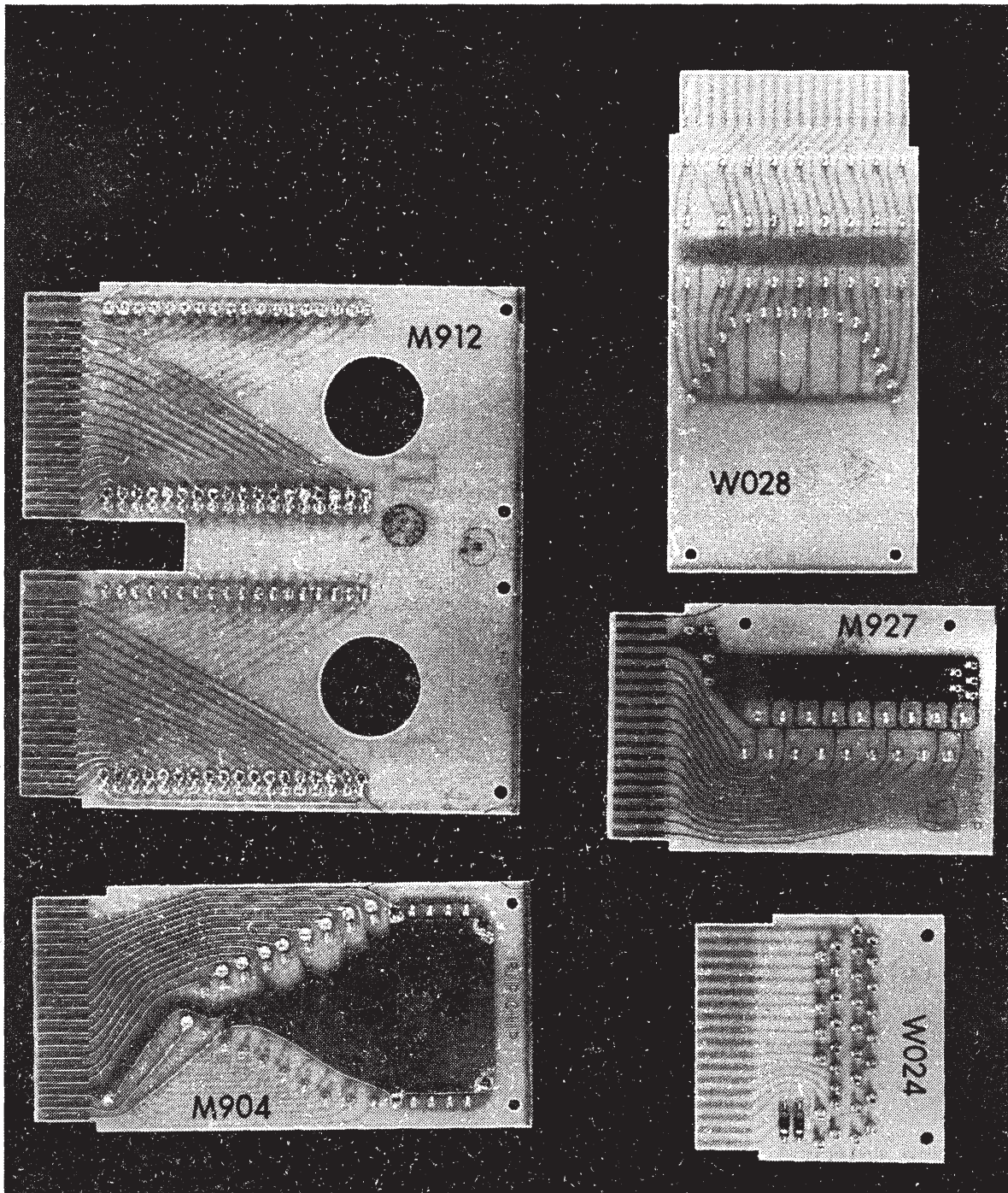


COAX CABLE CONNECTORS

CABLE ACCESSORIES

Coax cable connectors are available for use with both 9-conductor flat coax cable (DEC No. 17-00001), 9 conductor round cable (DEC No. 17-00003), and 36 conductor, twisted pair cable (DEC No. 91-07599). Both single and double sided connector can be provided.



TYPICAL COAX CABLE CONNECTORS

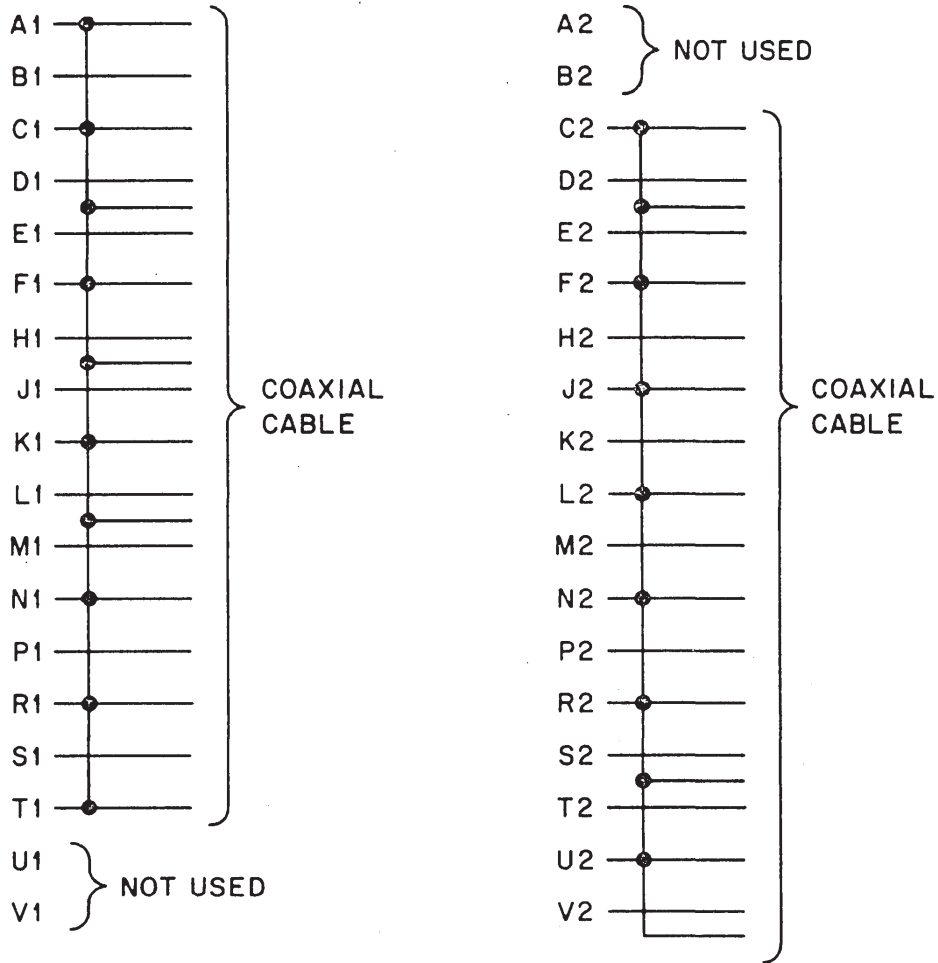
**COAX CABLE CONNECTORS
(9 CONDUCTOR)**

| TYPE | NO. OF SIDES | NO. OF CABLES | PIN CONNECTIONS | | BOARD SIZE & (TERM) | PRICE |
|-------|--------------|---------------|-----------------|----------------|--|-------|
| | | | SIGNAL | GROUND | | |
| M904 | 2 | 2 | 18 | 13 (Alternate) | Single Height/ Single Length (Split Lug) | 10.00 |
| M927 | 2 | 1 | 18 | 18 (Alternate) | Single Height/ Short Length (Split Lug) | 6.00 |
| W024 | 1 | 1 | 16 | 2 | Single Height/ Short Length (Split Lug) | 6.00 |
| W028* | 1 | 1 | 9 | 10 (Alternate) | Single Height/ Single Length (Split Lug) | 6.00 |

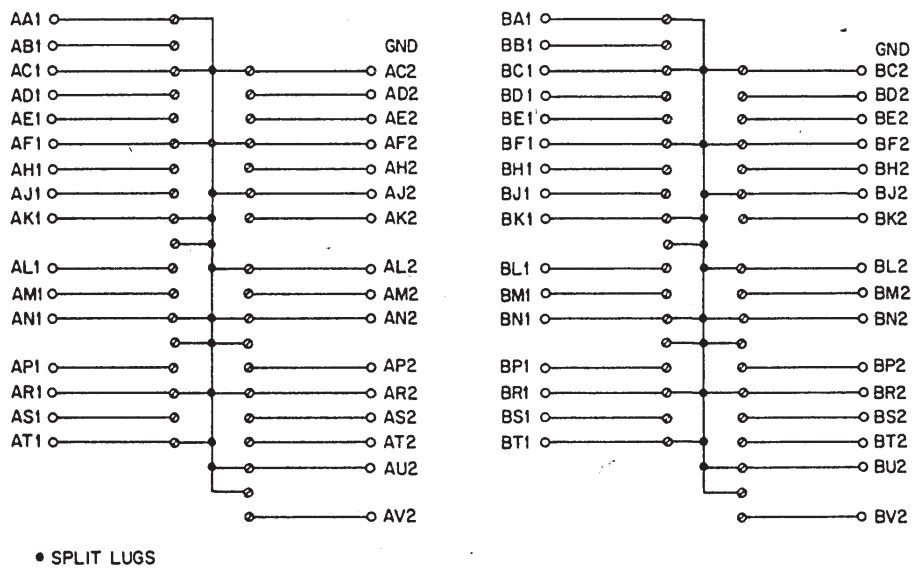
NOTE: Connectors W011, W021, W022 are also used with 9 conductor coax cable (Refer to Ribbon Connectors for details).

* Jumpers or Resistors required (see schematic)

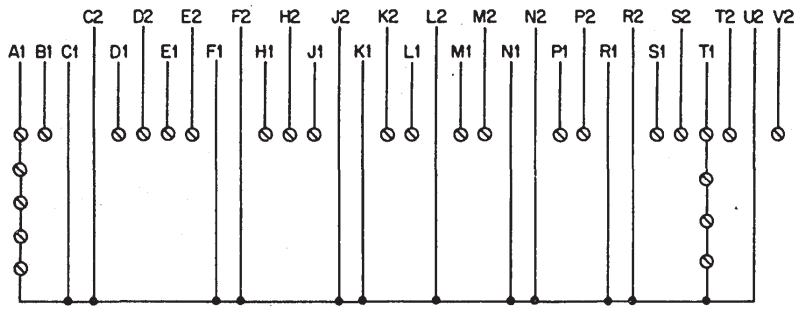
COAX CONNECTOR BOARD SCHEMATICS



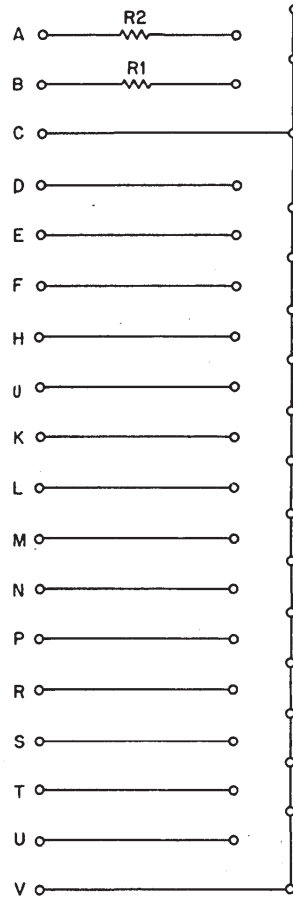
M904



M912

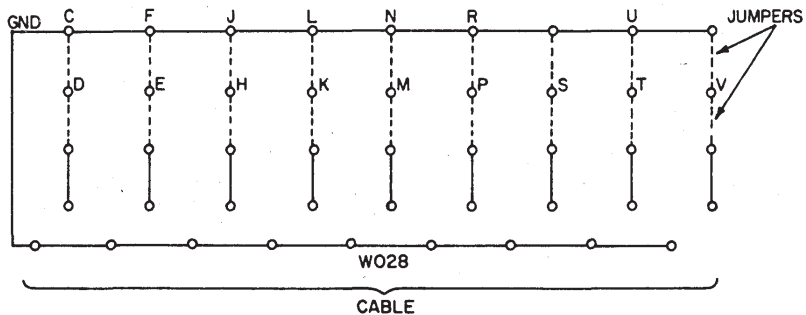


M927



R1, R2=10Ω, 1/4W

W024



W028