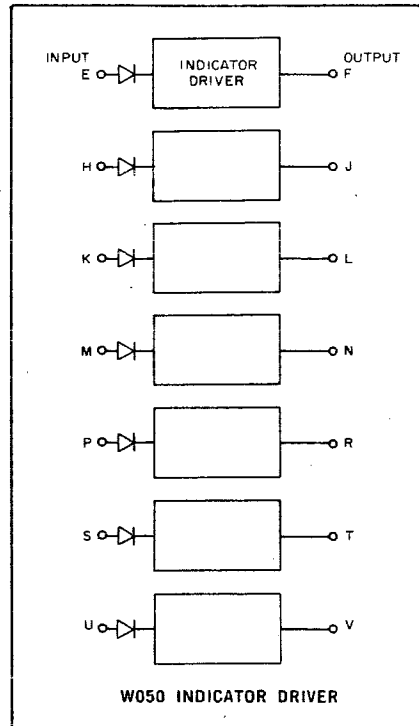


# 30 MA INDICATOR DRIVER TYPE W050

**W  
SERIES**



The W050 contains seven transistor amplifiers that can drive miniature incandescent bulbs, such as those on an indicator panel. It is used to provide remote indicators for R- or B-Series flip-flops. If the input is at  $-3\text{v}$ , the output is at  $-2\text{v}$ .

**INPUT:** Standard levels of  $-3\text{v}$  and ground. Each input represents 1 ma of load at ground.

**OUTPUT:** The output is capable of supplying 30 ma

at  $-2\text{v}$ . The external load may be connected to any voltage between  $-2\text{ v}$  and  $-20\text{ v}$ . The output is capable of driving an indicator light, such as Drake 11-504, Dialco 39-28-375, or Eldema CF2-WT-1762, returned to  $-15\text{ v}$ .

**POWER:**  $+10\text{ v(A)}/1.1\text{ ma}$ ;  $-15\text{ v(B)}/7\text{ ma}$ .

**NOTE:** An additional 210 ma is drawn from the indicator supply when all remote lights are on. This power is not drawn from the module.