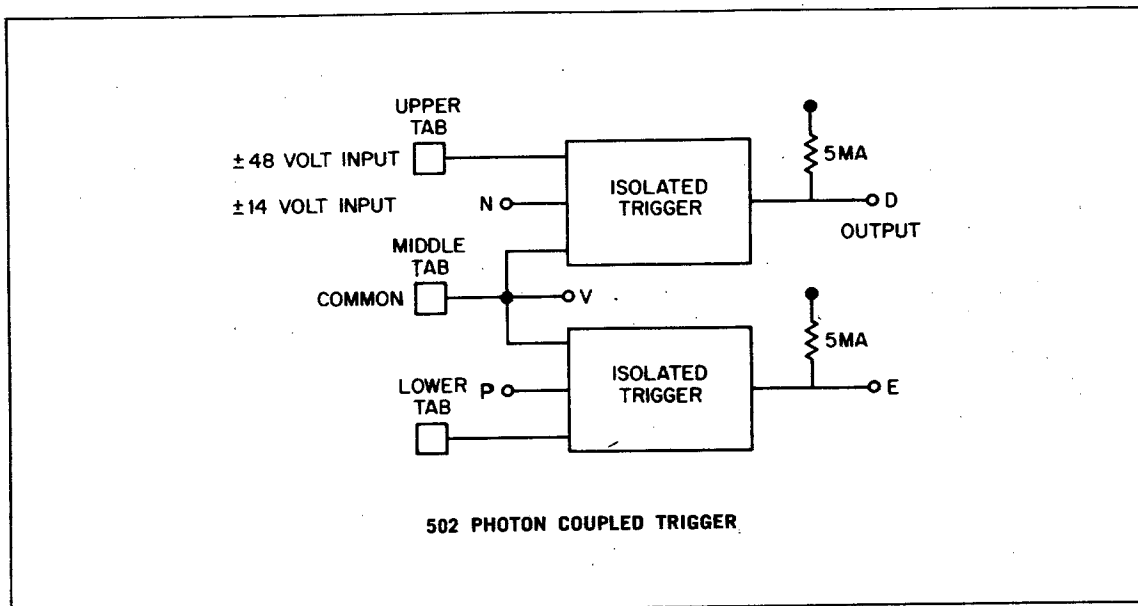


PHOTON-COUPLED TRIGGER

TYPE W502

W
SERIES



This special interface module allows process control system 48 volt signals to be transmitted to a digital control over long distances and despite floating supplies and noise. Additional low voltage inputs permit use as a pushbutton input device. Inherent delay in the photon-coupled isolation circuit filters out contact bounce. High voltage connections are at the handle end of the module to optimize isolation.

INPUT: Each input requires 40 ma at nominal input voltage. Input voltage tolerance: $\pm 20\%$. Voltage reversal harmless.

OUTPUT: Each output can drive 15 ma at ground. Output goes to ground when input is energized. Typical switching delay: 20 msec.

WIRING: Three AMP "Faston" tabs replace module handle. Type 914 power jumpers may be used for input connections. Keep input wires separated from logic wiring to avoid interference from transients on 48 volt wires.

POWER: +10v(A)/7 ma; -15v(B)/44 ma.

W502 — \$38.00