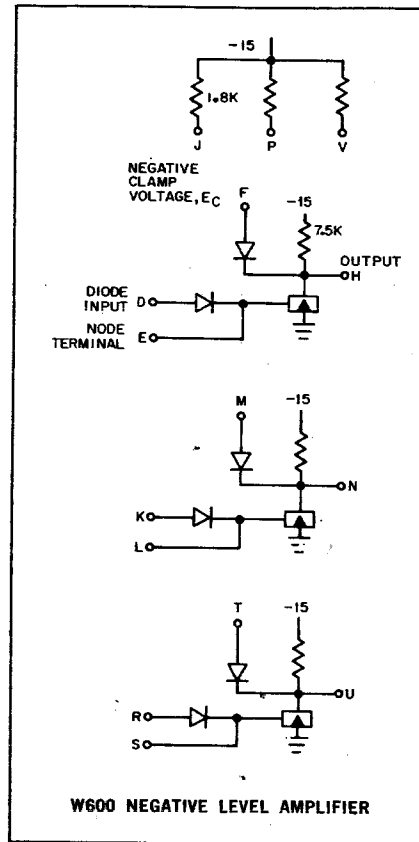


NEGATIVE OUTPUT CONVERTER TYPE W600

**W
SERIES**



The W600 contains three inverting amplifiers that convert standard levels to outputs of ground and an externally supplied negative voltage. The external clamp voltage is applied to terminal F (M, T) and must be between -1 and -15 v. Additional inputs may be added by tying diode networks, such as those contained on the R001 or R002, to the node terminal. These inputs form a NOR gate for ground levels and a NAND gate for negative levels. That is, if any input diode is at ground, the output is at the external clamp voltage; and if all inputs are at -3 v, the output is at ground.

INPUT: Standard levels. The input load is 1 ma shared by all grounded inputs, including those attached through diode networks to the node terminal.

CLAMP VOLTAGE: The external voltage E_c applied to terminals F, M, and T may be any voltage between -1 and -15 v. The load is 2500 ohms to

-15 v without the extra load resistors or 500 ohms to -15 with the extra loads.

OUTPUT: The output voltage levels are ground and the negative external clamp voltage, V_c . Driving depends on the external clamp voltage and is given in the following table.

	Maximum Output Current	
	At Ground	At Clamp Voltage
Without additional resistor	18 ma	$\frac{15 + E_c}{7.5}$ ma
With additional resistor (H, N, or U connected to J, P, or V)	10 ma	$\frac{15 + E_c}{1.5}$ ma

E_c = external clamp voltage, -1 to -15 v. It is therefore a negative number in the above equations.

POWER: $+10$ v(A)/0.3 ma; -15 v(B)/33 ma.

W600 — \$12.00