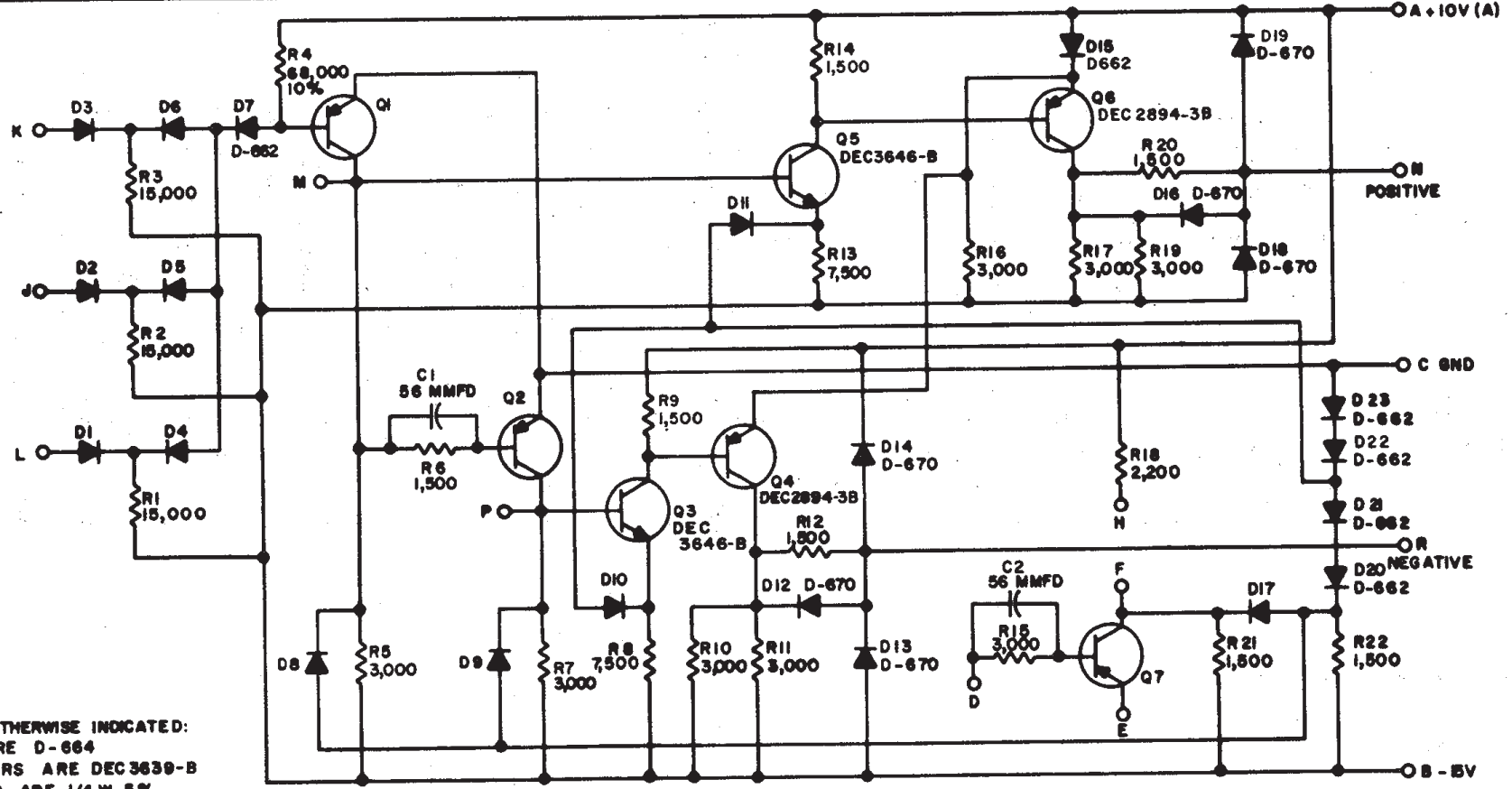


REV. F
 NUMBER W681-0-1
 SIZE CODE B CS 3215

THIS SCHEMATIC IS FURNISHED ONLY FOR TEST AND MAINTENANCE PURPOSES. THE CIRCUITS ARE PROPRIETARY IN NATURE AND SHOULD BE TREATED ACCORDINGLY. COPYRIGHT 1966 BY DIGITAL EQUIPMENT CORPORATION



UNLESS OTHERWISE INDICATED:
 DIODES ARE D-664
 TRANSISTORS ARE DEC3639-B
 RESISTORS ARE 1/4 W, 5%

REV.	CHG. NO.	REV.
2	5370	DAW
C	5441	REV. BREDR.
D	5566	
E	5662	
F	5829	

DRN.	DATE
L. HAHN	4-16-65
CHK'D R. SILVERMAN	4-21-65
ENG. R. SOGGE	4-20-66
PRD.	

TRANSISTOR & DIODE CONVERSION CHART	
DEC	EIA
DEC3639-B	2N3639-B
DEC2894-3B	NONE
DEC3646-B	NONE
D662	1N648
D664	1N3608

digital
 EQUIPMENT CORPORATION
 MAYNARD, MASSACHUSETTS

TITLE		
SCOPE INTENSIFIER W681		
SIZE	CODE	NUMBER
B	CS	W681-0-1
PRINTED CIRCUIT REV.	A	