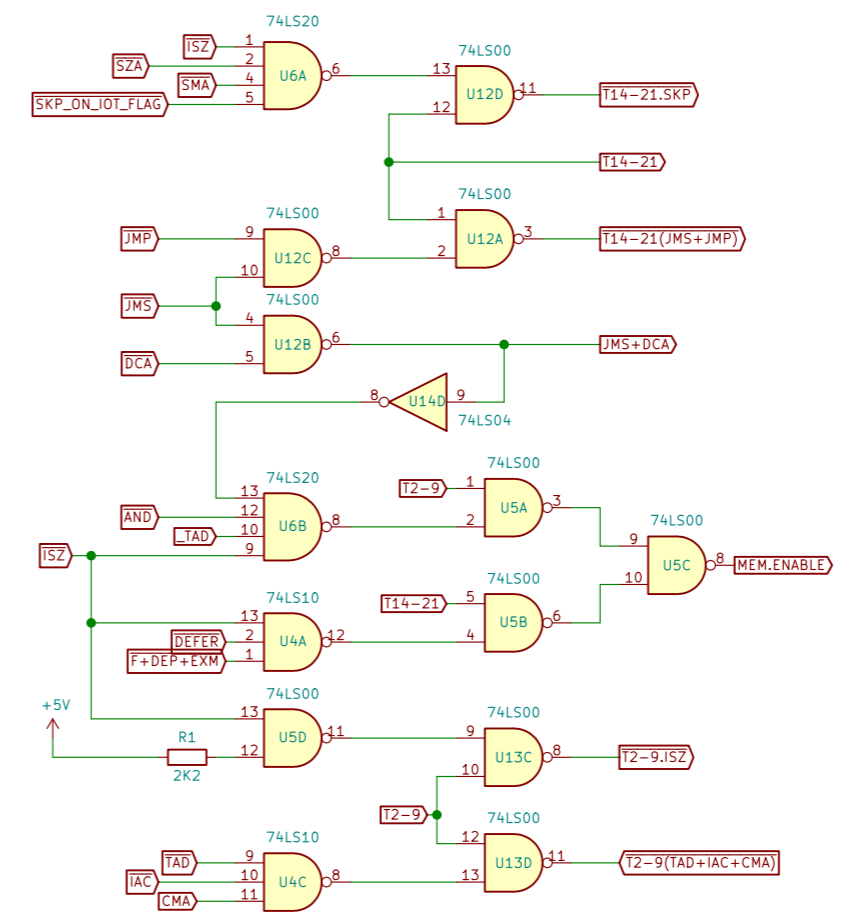
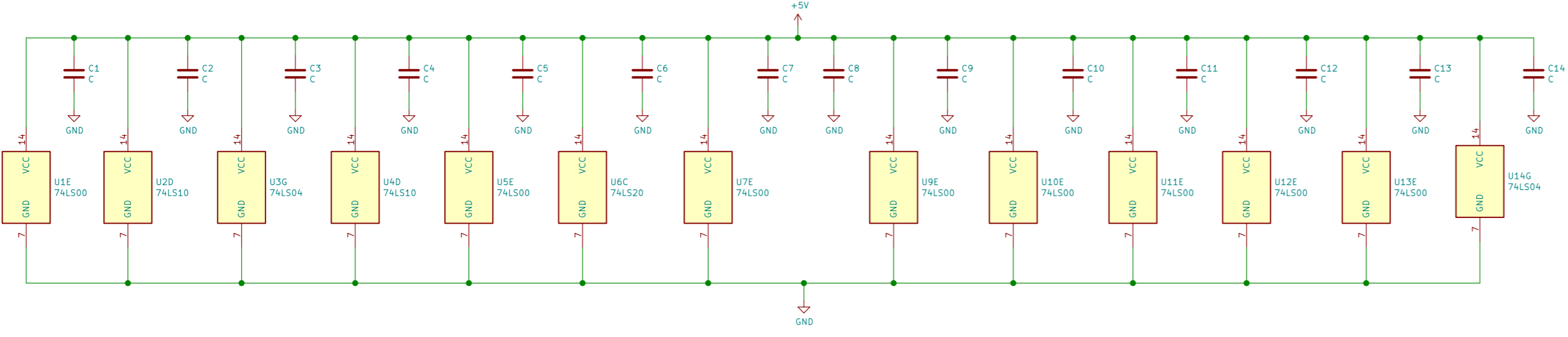


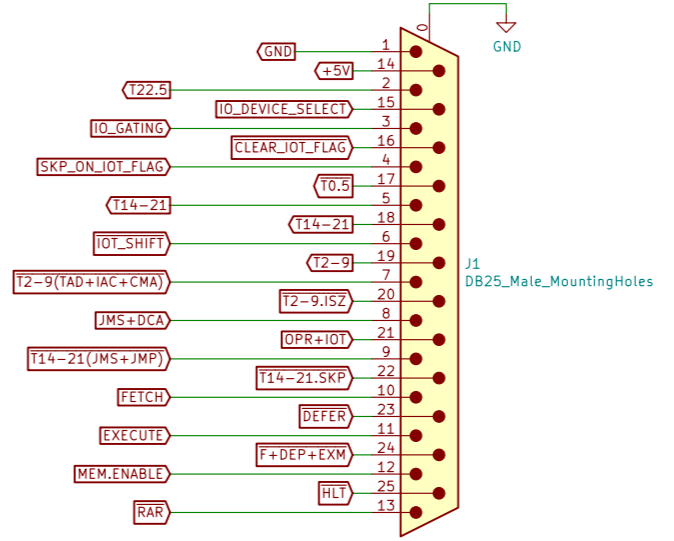
Part No.	Gate	Input pins	Out
U2	A	1, 2, 13, 12	NAND
U4	B	3, 4, 5, 6	NAND
U14	A	1, 2	INVERTER
U14	B	3, 4	INVERTER
U14	C	5, 6	INVERTER

1. Inputs for all unused gates connected to GND

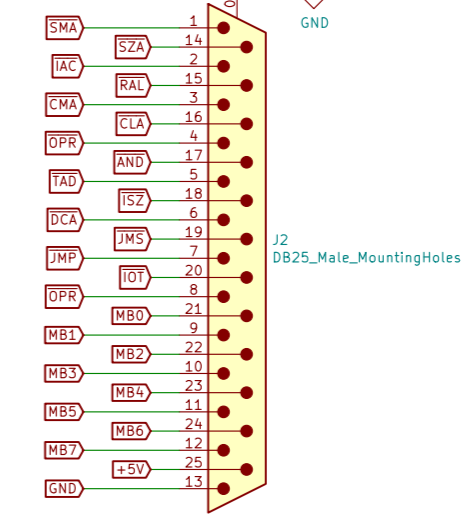


RefDes	Part No.	Supplier
U1	74LS00	
U2	74LS10	
U3	74LS04	
U4	74LS00	
U5	74LS00	
U6	74LS20	
U7	74LS00	
U8	74LS259	
U9	74LS00	
U10	74LS00	
U11	74LS00	
U12	74LS00	
U13	74LS00	
U14	74LS04	
R1	2.2K 1/4 Watt resistor	
C1	100nF 50v Polyester	
C2		
C3		
C4		
C5		
C6		
C7		
C8		
C9		
C10		
C11		
C12		
C13		
C14		
C15	100nF 35v electro	
C16	100nF 35v electro	

Part No.	Type	QTY
U1	74LS00	8
U2	74LS10	2
U3	74LS04	2
U4	74LS00	2
U5	74LS00	2
U6	74LS20	1
U7	74LS00	2
U8	74LS259	1
U9	74LS00	2
U10	74LS00	2
U11	74LS00	2
U12	74LS00	2
U13	74LS00	2
U14	74LS04	1
R1	2.2K 1/4 Watt resistor	1
C1	100nF 50v Polyester	14
C15-16	100nF 35v electro	2
R1	2.2K 1/4 Watt resistor	1



CONNECTION TABLE			
CARD EDGE 1		DB25	
Pin No.	Function	J	Pin No.
1	GND	14	1
2	+5V DC	2	15
3	I22-5	2	16
4	I/O_DEVICE_SELECT	3	15
5	I/O_GATEING	1	3
6	CLEAR_IOT_FLAG	1	16
7	SKP_ON_IOT_FLAG	4	9
8	I0-5	1	17
9	I14-21	1	5
10	I14-21	1	18
11	IOT_SHIFT	1	6
12	I2-9	1	19
13	I2-9 (IAD+IAC+CMA)	1	19
14	I2-9,ISZ	1	20
15	JMS+DCA	1	8
16	DPR+IOT	1	21
17	I14-21(DPR+JMP)	1	9
18	I14-21.SKIP	1	22
19	FEICh	1	10
20	DEFER	1	23
21	EXECUTE	1	11
22	F+DEP+EXW	1	25
23	MEM_ENABLE	1	12
24	HLT	1	25
25	RAR	1	13



CONNECTION TABLE			
CARD EDGE 2		DB25	
Pin No.	Function	J	Pin No.
A	AND	2	17
B	IAD	2	5
C	ISZ	2	18
D	DCA	2	6
E	JMS	2	19
F	JMP	2	20
G	IOT	2	20
H	DPR	2	8
J	MB0	2	21
K	MB1	2	9
L	MB2	2	22
M	MB3	2	19
N	MB4	2	23
P	MB5	2	11
Q	MB6	2	25
R	MB7	2	12
S	MB8	2	25
T	GND	2	13