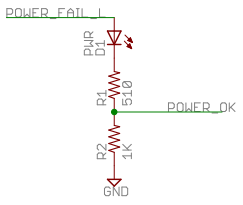
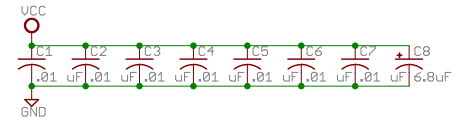
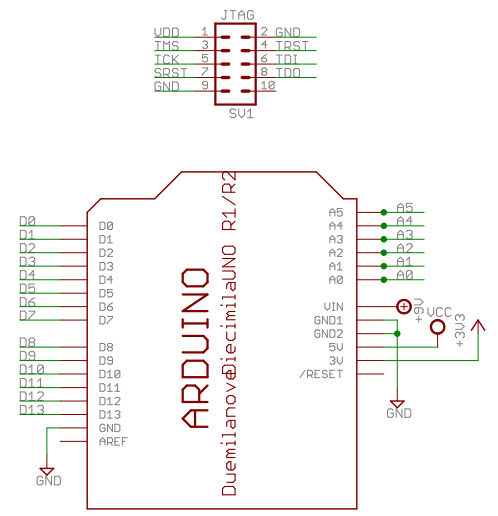


CONT	Letter	Signal	Resistor	Value	Direction
CONT	A	POWER_FAIL_I			
CONT	B	DR_SEL_0_H	RN3	120	DR_SEL_0_L
CONT	C	DR_SEL_0_L	RN3	120	DR_SEL_0_H
CONT	D	DR_SEL_1_H	RN3	120	DR_SEL_1_L
CONT	E	DR_SEL_1_L	RN3	120	DR_SEL_1_H
CONT	F	WR_GATE_H	RN3	120	WR_GATE_L
CONT	G	WR_GATE_L	RN3	120	WR_GATE_H
CONT	H	SYS_CLK_H	RN3	120	SYS_CLK_L
CONT	I	SYS_CLK_L	RN3	120	SYS_CLK_H
CONT	J	WR_DATA_H	RN2	120	WR_DATA_L
CONT	K	WR_DATA_L	RN2	120	WR_DATA_H
CONT	L	DR_CMD_I	RN2	120	DR_CMD_H
CONT	M	DR_CMD_H	RN2	120	DR_CMD_L
CONT	N	READ_DATA_L	RN2	120	READ_DATA_H
CONT	O	READ_DATA_H	RN2	120	READ_DATA_L
CONT	P	STATUS_I	RN2	120	STATUS_H
CONT	Q	STATUS_H	RN2	120	STATUS_I
CONT	R	STATUS_CLK_I	RN1	120	STATUS_CLK_H
CONT	S	STATUS_CLK_H	RN1	120	STATUS_CLK_L
CONT	T	SEC_PLS_H	RN1	120	SEC_PLS_L
CONT	U	DR_RDY_H	RN1	120	DR_RDY_L
CONT	V	DR_RDY_L	RN1	120	DR_RDY_H
CONT	W	DR_ERR_I	RN1	120	DR_ERR_H
CONT	X	DR_ERR_H	RN1	120	DR_ERR_I
CONT	Y	GND			



ID	Pin	Function	Resistor	Value	Direction
ID1	1	IO1/TDI			IO27
ID2	2	IO2/TDO			IO26
ID3	3	IO3			IO25
ID4	4	IO4/PD1			IO24
ID5	5	IO5			IO23
ID6	6	IO6/TMS			IO22
ID7	7	IO7			IO21/TCK
ID8	8	IO8			IO20
ID9	9	IO9			IO19
ID10	10	IO10			IO18
ID11	11	IO11			IO17
ID12	12	IO12			IO16
ID13	13	IO13			IO15
ID14	14	IO14			IO14
ID15	15	IO15			IO13
ID16	16	IO16			IO12
ID17	17	IO17			IO11
ID18	18	IO18			IO10
ID19	19	IO19			IO9
ID20	20	IO20			IO8
ID21	21	IO21			IO7
ID22	22	IO22			IO6
ID23	23	IO23			IO5
ID24	24	IO24			IO4
ID25	25	IO25			IO3
ID26	26	IO26			IO2
ID27	27	IO27			IO1



RL01/RL02 Simulator BeMico CV	
TITLE: Arduino	
Document Number:	REV:
Date: 11/20/2016 4:13:26 PM	Sheet: 1/1